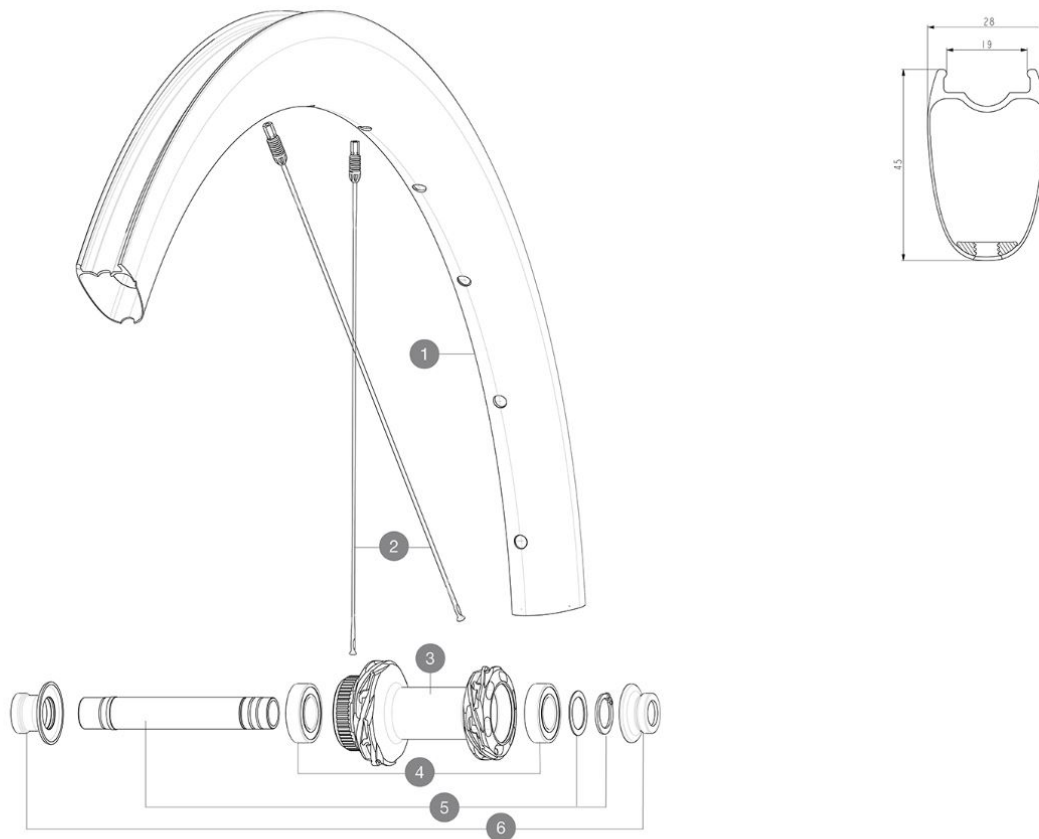


ASTM CATEGORY 2 : road and offroad with jumps less than 15cm  
 For a longer longevity of the wheel, Mavic recommends that the total weight supported by the wheels doesn't exceed 120kg, bike included  
 Recommended tire sizes: 25 to 32 mm  
 Max. Pressure: see indication on wheel and tire. If they differ, use the lowest of the 2

## REFERENCES WHEELS



### RIMS



&NBSP;:

|   |           |                                     |
|---|-----------|-------------------------------------|
| 1 | V00062831 | Kit Front/Rear rim Cosmic SLR45 Ltd |
|---|-----------|-------------------------------------|

### SPOKES

|   |          |  |
|---|----------|--|
| 2 | V4163701 | Kit 12 Front/Rear Cosmic SLR 45 Disc aero stainless spoke 27 |
|---|----------|--|

### HUB SHELLS

|   |          |                                     |
|---|----------|-------------------------------------|
| 3 | N/A      | HUB BODY                            |
| 3 | N/A      | HUB BODY                            |
| 4 | M40129   | KIT 2 BEARINGS 6902 15x28x7         |
| 5 | V2373301 | KIT QRM AUTO FRONT AXLE 12mm > 2019 |

### ADAPTERS

|   |          |   |
|---|----------|---|
| 6 | V2374701 | KIT FRONT ROAD FORK REST 12mm FOR J BENT DISC HUB |
|   | V2680301 | "Kit Ft Road Adapter 12 >> 9mm"                   |

# MAVIC COSMIC SLR 45 LTD

## DELIVERED WITH

|   |  |
|---|--|
| UST valve and accessories<br>(129 838 01) |  |
| User guide                                |  |

## COMPATIBILITY

|  |  |
|--|--|
| Freewheel: Shimano/Sram, convertible to Campagnolo ED11, N3W and XD-R with optional driver bodies                                |  |
| Rear axle: 12mm thru axle, convertible to Quick Release with optional adapters and axle replacement                              |  |
| Front axle: 12x100 thru axle, easily convertible to quick release with optional adapters. Not compatible with 15mm through axles |  |

## Specifications

### RIMS

- **Material** : 100% carbon fiber with UD<sup>2</sup> external layer
  - **Material** : 100% carbon fiber
  - **Height** : 45 mm
- Disc brake specific profile
- **Tire** : UST Tubeless and tubetype
  - **Internal width** : 19 mm
  - **ETRTO size** : 622x19TC
- Fore Carbon tapeless tubeless technology  
UST tubeless technology

### SPOKES

- **Material** : steel
- **Shape** : straight pull, elliptical aero, double butted (patented)
- **Nipples** : Fore integrated aluminum
- **Count** : 24 front and rear
- **Lacing** : front and rear crossed 2, contactless

### WHEEL HUB

- Infinity hubs
- **Front and rear bodies** : aluminum
  - **Axle material** : aluminum
- Instant Drive 360 freewheel technology  
QRM Auto bearing preload technology
- **Front** : Quick release and 12x100 through axle compatible
  - **Rear** : Quick Release, 12x142 and 12x135 compatible
- Hub available for Center Lock brake rotors only

### VERSIONS

- **Disc standard** : Center Lock<sup>®</sup> only
- **Freewheel** : Shimano/Sram

### WHEEL WEIGHTS

655