

**MAVIC** **CROSSRIDE FTS-X 27.5**

ASTM CATEGORY 3 : offroad with jumps less than 61cm  
ID360 Shimano steel freewheel body (V3790101)

Recommended weight limit : 120kg

For a longer longevity of the wheel, Mavic recommends that the total weight supported by the wheels doesn't exceed 150kg, bike included

Maximum tyre pressure: 6.1bar/88PSI with a 25mm tyre - 3.5bar/51PSI with a 64mm tyre

Recommended tyre sizes: 28 to 64 mm (1.1" to 2.5")

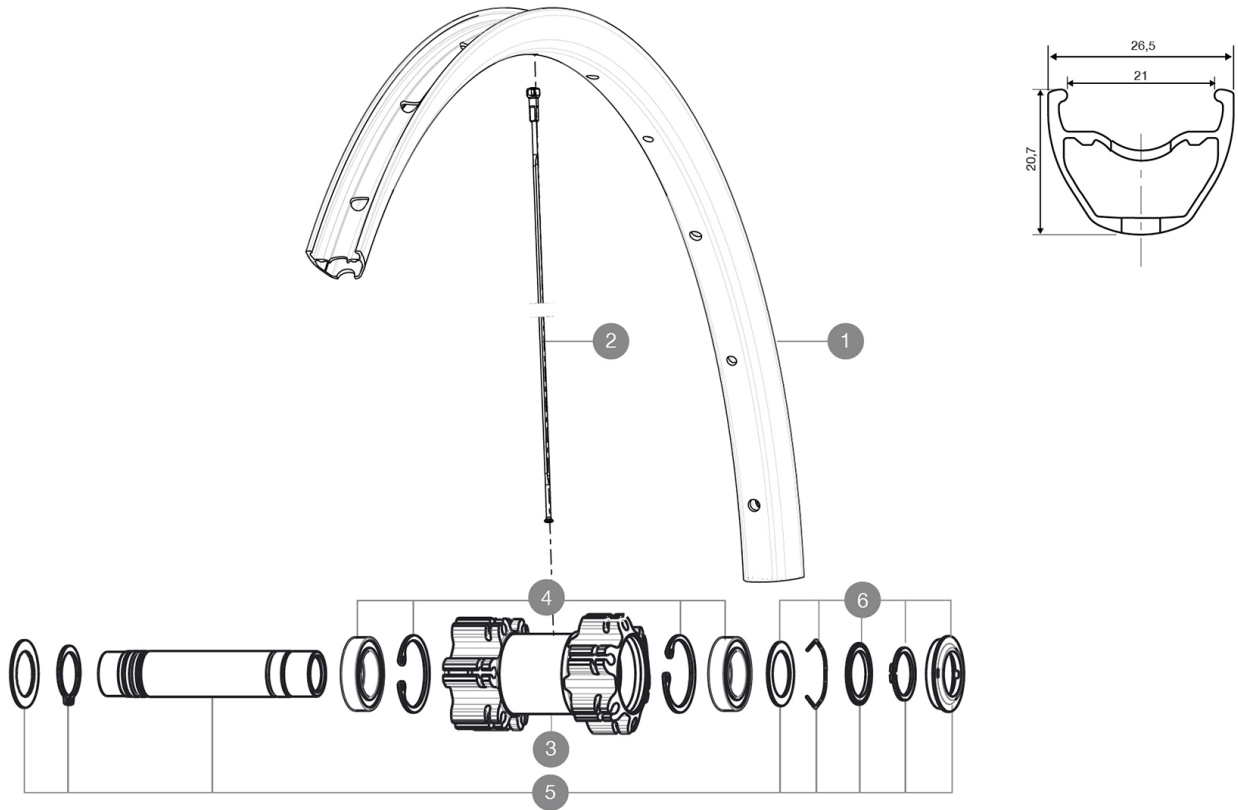
Recommended tyre sizes: 36 mm to 64 mm (1.4" to 2.5")

ETRTO recommended tyre sizes: 35mm to 69mm (1.4" to 2.7")

ID360 N3W freewheel body (V4270101)

**REFERENCES WHEELS**

F50601 XRIDE FTS-X INT 27,5

**RIMS**

VALVE HOLE (MM): 8,5 WITH POP OFF REDUCER :

1 V2314815 "KIT FRT/RR RIM CROSSRIDE/CROSSRIDE FTSX 27,5""

**SPOKES**

2 V2381901 KIT 12 FT/NDS XRIDE FTSX 27,5" SPK 279mm

**HUB SHELLS**

3	N/A	HUB BODY
4	99688501	BEARING KIT 9/12/15 D6T HUB 20x32x7 6804
5	V2370101	KIT FRONT AXLE 15MM CROSSONE/-RIDE/-ROC - while stock last
5	V2371101	KIT FRONT QRM AXLE 100mm/BOOST 110mm
6	V2370301	KIT FRONT AUTO ADJUSTING PLAY 15mm AXLE

