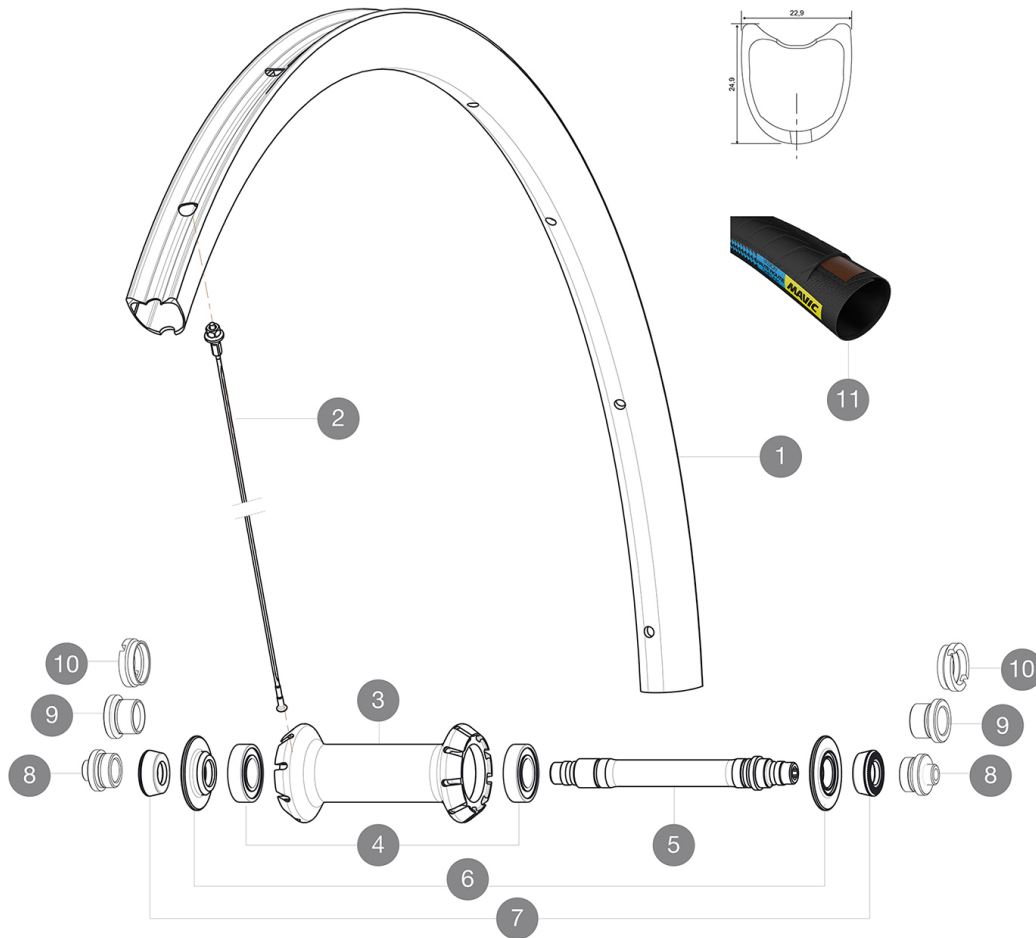


**MAVIC** **Ksyrium Pro Carbon SL T HR**

ASTM CATEGORY 2 : road and offroad with jumps less than 15cm  
 Recommended weight limit : 120kg  
 Recommended tire sizes: 25 to 32 mm  
 Max. Pressure: 25mm 7.7 bars - 110 PSI

**REFERENCES WHEELS**

F70861 KsyProCarbSLT HR Ft SV

**RIMS**VALVE HOLE  $\bar{A}$  (MM): 6,5 :

|   |          |  |
|---|----------|--|
| 1 | V2730110 | KIT FRONT RIM KSYRIUM PRO CARBON SL TUB HR |
|---|----------|--|

**SPOKES**

|   |          |  |
|---|----------|--|
| 2 | V2271301 | KIT 9 FT KSYRIUM PRO CARB SL C/T SPK 287mm - while stock las |
| 2 | V3663801 | KIT 12 FRT KSYR PRO CARB SL C/UST/T & NDS COSMIC PRO CARB SL |

**HUB SHELLS**

|   |          |   |
|---|----------|---|
| 4 | V2540201 | KIT 2 FRONT BEARINGS 12x24x6 CERAMIC - while stock last |
| 4 | M40131   | KIT BEARINGS FRONT 12x24x6 6901 (I0 track)              |
| 5 | 30870001 | FRONT AXLE ROAD RIM BRAKING QRM +                       |
| 6 | V2252501 | FRONT SETTING NUT & DUST PROTECTOR MY16                 |

**TYRES**



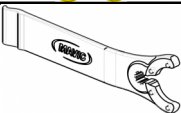

|    |          |                             |
|----|----------|-----------------------------|
| 11 | 39435725 | YksionProGripLink HRTubular |
|----|----------|-----------------------------|

**ADAPTERS**

|    |          |   |
|----|----------|---|
| 7  | 35117301 | FT/RR FORK REST R-SYS/CC ULTIMATE > 2013/KSY PRO CARB T |
| 8  | B4104301 | ADAPTER Ft 9mm QR QRM+                                  |
| 9  | B4104201 | ADAPTER Ft 12mm QRM+                                    |
| 10 | B4104401 | ADAPTER Ft 15mm QRM+                                    |

# MAVIC Ksyrium Pro Carbon SL T HR

## DELIVERED WITH

|   |   |
|---|---|
| BR601 quick releases<br>(V24 501 01 frt, V24 502 01 rear)<br>1                  |  |
| Carbon brake pads<br>(V24 603 01 Shimano/Sram, V24 604 01 Campagnolo)<br>1 pair |  |
| Multifunction adjustment wrench<br>(325 423 01)<br>1                            |  |
| "Haute Route" special edition wheelbags<br>1                                    |  |
| User guide  |   |

## COMPATIBILITY

|  |  |
|--|--|
| Freewheel: Shimano/Sram or Campagnolo, convertible to XD-R with optional driver body |  |
| Front axle: Quick Release only   |  |
| Rear axle: Quick Release only  |  |

## Specifications

### RIMS

- **Material** : 3K carbon fibers
- **Height** : 25mm
- **Drilling** : traditional
- **Brake track** : carbon with TgMAX technology
- **Brake track** : carbon
- **Valve hole diameter** : 6.5 mm
- **Tire** : tubular
- **ETRTO size** : 28" tubular

### SPOKES

- **Material** : steel
- **Shape** : straight pull, bladed, double butted
- **Nipples** : aluminum, ABS
- **Count** : front 18, rear 24
- **Lacing** : front radial, rear Isopulse

### WHEEL HUB

- **Front and rear bodies** : aluminum
  - **Axle material** : aluminum
- High quality ceramic bearings by CeramicSpeed (R)
- **Freewheel** : Instant Drive 360

### VERSIONS

- **Color** : Black only

### WHEEL WEIGHTS

Wheel weight 515