

# MAVIC Allroad Pro UST Disc

ASTM CATEGORY 2 : road and offroad with jumps less than 15cm

For a longer longevity of the wheel, Mavic recommends that the total weight supported by the wheels don't exceed 120kg, bike included

Recommended tyre sizes: 28 to 62 mm (1.1" to 2.5")

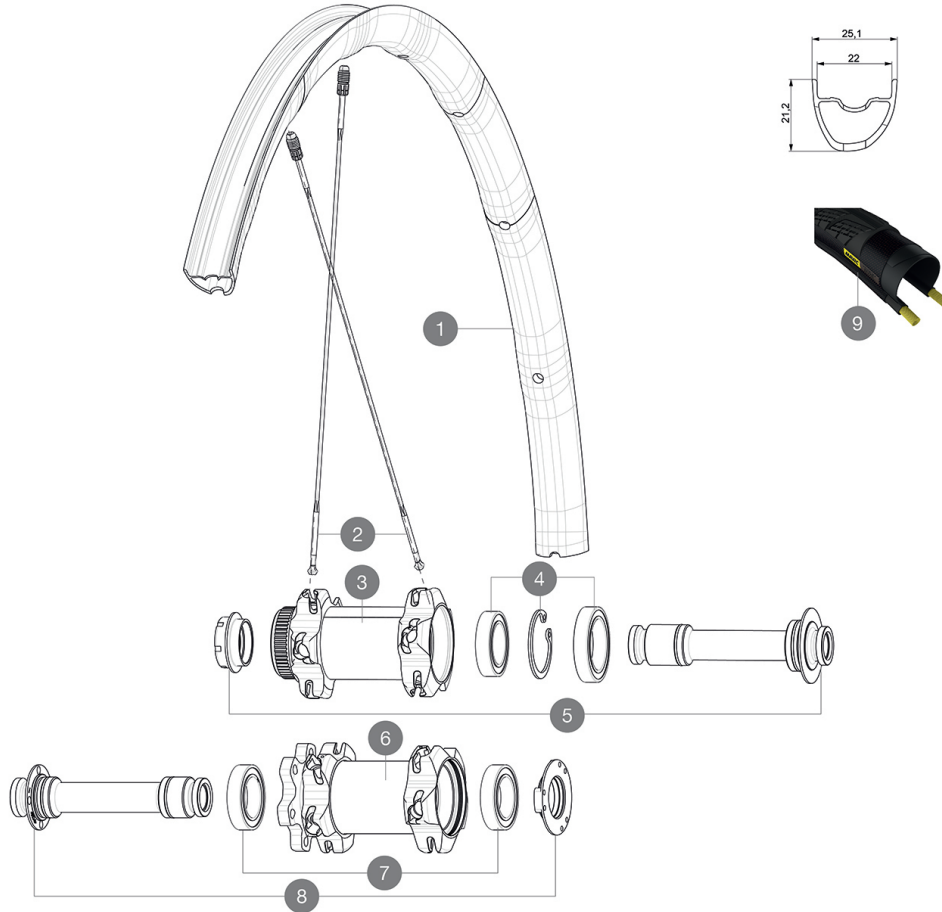
Max. Pressure: see indication on wheel and tyre. If they differ, use the lower of the 2

Max. Pressure: 30mm 5.8 bars - 85 PSI / 40mm 4.5 bars - 65 PSI

## REFERENCES WHEELS

F74361 AllroadPro D6B Ft12x100

F73211 AllroadPro DCL Ft12x100



## RIMS



&NBSP;:

1 V2731810 KIT FRONT RIM ALLROAD PRO

## SPOKES

2 V2279301 KIT 1 FT 299,5mm/1 DS 277mm STP BTD ALU SPK - while stock la  
2 35113701 "KIT 10 FT/NDS M7/7 XMAX SLR 29"" SPK 299,5mm"

## HUB SHELLS

3 N/A HUB BODY  
4 99688601 BEARING KIT 9/15 DCL HUB 20x32x7 6804 + 25x37x7 6805  
5 V2390701 KIT FRONT 12mm AXLE QRM+ CL  
6 N/A HUB BODY  
8 V2390601 KIT FRONT 12mm AXLE QRM+ 6B

## OPTIONS

V2252401 KIT MY16 FRONT AXLE ROAD DISC 9/12/15 CL  
V2252301 KIT MY16 FRONT AXLE ROAD DISC 9/12/15 INT

## TYRES

9 38012230 Yksion Elite Allroad  
9 39949936 Yksion Allroad XL

## ADAPTERS

V2680301 "Kit Ft Road Adapter 12 >> 9mm"

# MAVIC Allroad Pro UST Disc

2018

FRONT

## DELIVERED WITH

Mavic tyre sealant (rear wheel) (355 466 01)	
Mavic tyre sealant (rear wheel) (355 466 01)	
Mavic tyre sealant (rear wheel) (355 466 01)	
Tyre sealant syringe	
Tyre sealant syringe	
Tyre sealant syringe	
Front QR adapters (996 941 01 for MTB or B41 043 01 for road)	
Front QR adapters (996 941 01 for MTB or B41 043 01 for road)	
Rear QR adapters for Instant Drive 360 (B49 894 01)	
Rear QR adapters for Instant Drive 360 (B49 894 01)	
UST valve and accessories (129 838 01)	
UST valve and accessories (129 838 01)	
UST valve and accessories (129 838 01)	
Specific disc bolts (308 719 01)	
Multifunction adjustment wrench (325 423 01)	
Multifunction adjustment wrench (325 423 01)	
Multifunction adjustment wrench (325 423 01)	
User guide	

## COMPATIBILITY

Freewheel: Shimano/Sram, convertible to Campagnolo and XD-R with optional driver bodies	
Freewheel: Shimano/Sram, convertible to Campagnolo and XD-R with optional driver bodies	
Freewheel: Shimano/Sram, convertible to Campagnolo and XD-R with optional driver bodies	
Front axle: 12mm thru axle. Optional: Easily convertible to quick release with adequate adapters, convertible to 15mm with complete axle replacement	
Front axle: 12mm thru axle, easily convertible to quick release with included adapters. Convertible to 15mm with complete axle replacement	
Front axle: 12mm thru axle, easily convertible to quick release with included adapters. Convertible to 15mm with complete axle replacement	
Rear axle: 12mm thru axle, convertible to Quick Release with optional adapters (not available in Germany)	
Rear axle: 12mm thru axle, convertible to Quick Release with included adapters	
Rear axle: 12mm thru axle, convertible to Quick Release with included adapters	