

MAVIC Ksyrium Elite UST

1
2018
FRONT

ASTM CATEGORY 2 : road and offroad with jumps less than 15cm

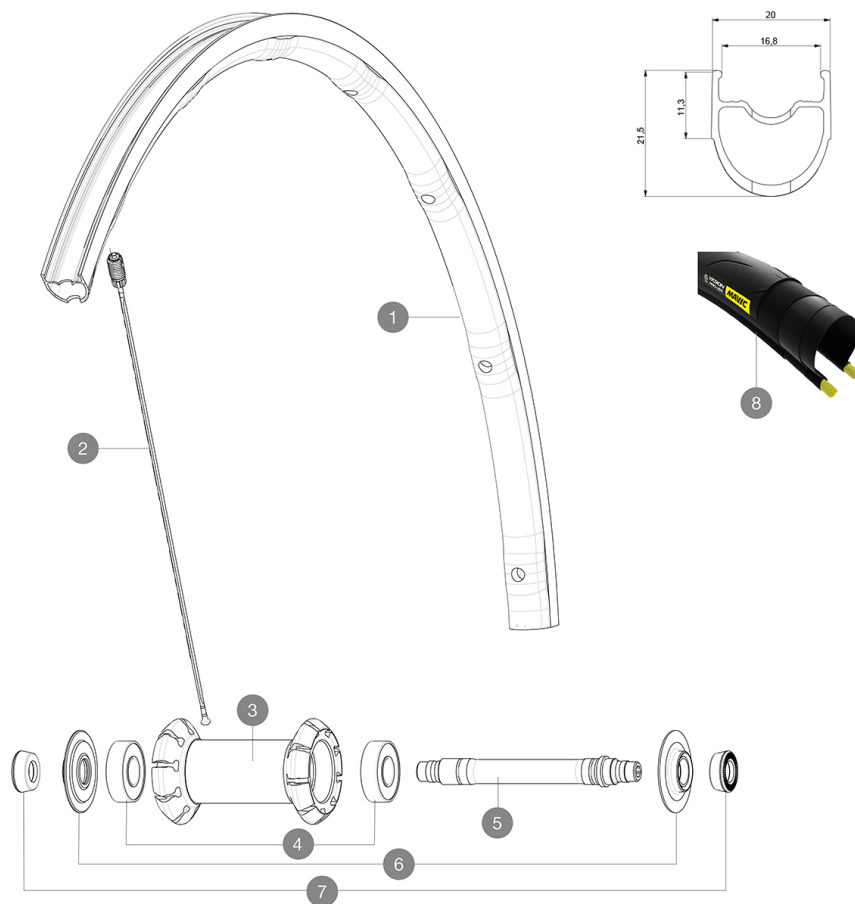
For a longer longevity of the wheel, Mavic recommends that the total weight supported by the wheels don't exceed 120kg, bike included

Recommended tyre sizes: 25 to 32 mm

Max. Pressure tubeless: 25mm 7 bars - 100 PSI, 28mm 6 bars - 87 PSI. Max pressure tubetype: 25/28mm 7,7 bars - 110 PSI

REFERENCES WHEELS

F73481	KsyEIUSTFt GraphiteBlack	F73482	KsyEIUSTFt Yellow
F73483	KsyEIUSTFt Red		



RIMS



&NBSP;:

1	V2730810	KIT FRONT RIM KSYRIUM ELITE UST
---	----------	---------------------------------

SPOKES

2	V2277801	KIT 9 FT KSYRIUM ELITE UST SPOKE 286mm
---	----------	----------------------------------------

HUB SHELLS

3	N/A	HUB BODY
3	N/A	HUB BODY
3	N/A	HUB BODY
3	N/A	HUB BODY
4	M40318	KIT 2 HUB BEARINGS 6001
5	30870001	FRONT AXLE ROAD RIM BRAKING QRM +
6	12038201	KSYRIUM ELITE HUB CAP AND ADJUSTING NUT

TYRES

8	39938825	Yksion Pro UST 700x25
---	----------	-----------------------

ADAPTERS

7	35117301	FT/RR FORK REST R-SYS/CC ULTIMATE > 2013/KSY PRO CARB T
---	----------	---------------------------------------------------------

MAVIC Ksyrium Elite UST

DELIVERED WITH

Mavic tyre sealant (rear wheel) (355 466 01)	
Mavic tyre sealant (rear wheel) (355 466 01)	
BR301 quick releases (V24 501 01 frt, V24 502 01 rear)	
BR301 quick releases (V24 501 01 frt, V24 502 01 rear)	
Tyre sealant syringe	
Tyre sealant syringe	
UST valve and accessories (129 838 01)	
UST valve and accessories (129 838 01)	
Multifonction adjustment wrench (325 423 01)	
Multifonction adjustment wrench (325 423 01)	
User guide	
User guide	

COMPATIBILITY

Freewheel: Shimano/Sram, convertible to Campagnolo with optional driver body	
Freewheel: Shimano/Sram, convertible to Campagnolo with optional driver body	
Front axle: Quick Release only	
Front axle: Quick Release only	
Rear axle: Quick Release only	
Rear axle: Quick Release only	

Specifications

RIMS

- **Material** : Mxstal
- **Material** : Mxstal
- **Height** : front 22 mm, rear 25 mm asymmetrical
- **Height** : front 24mm, rear 26 asymmetrical
- **Joint** : SUP
- **Joint** : SUP
- **Drilling** : Fore
- **Drilling** : Fore
- **Brake track** : UB Control
- **Brake track** : UB Control
- **Weight reduction** : ISM 4D
- **Weight reduction** : ISM 4D
- **Valve hole diameter** : 6.5 mm
- **Valve hole diameter** : 6.5 mm
- **Tyre** : clincher
- **Tyre** : clincher
- **Internal width** : 17 mm
- **Internal width** : 17 mm
- **ETRTO size** : 622x17TC ROAD
- **ETRTO size** : 622x17TC ROAD

SPOKES

- **Material** : steel
- **Material** : steel
- **Shape** : straight pull, flat, double butted

WHEEL HUB

- **Front and rear bodies** : aluminum
- **Front and rear bodies** : aluminum
- **Axle material** : aluminum
- **Axle material** : aluminum
- Adjustable sealed cartridge bearings (QRM+)
- Adjustable sealed cartridge bearings (QRM+)
- **Freewheel** : FTS-L steel
- **Freewheel** : FTS-L steel

VERSIONS

- **Color** : Black only

WHEEL WEIGHTS

665