

MAVIC Cosmic Pro Carbon SL UST Disc

ASTM CATEGORY 1 : road only

For a longer longevity of the wheel, Mavic recommends that the total weight supported by the wheels don't exceed 120kg, bike included

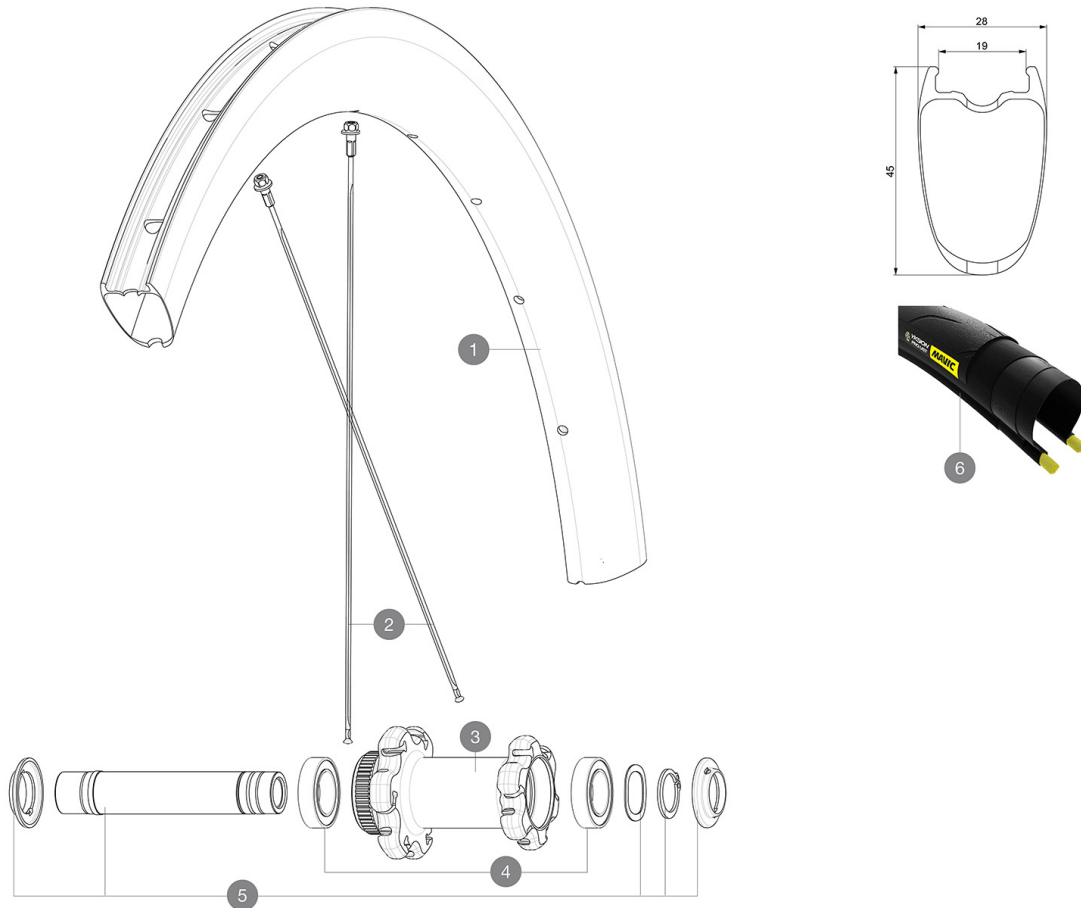
Recommended tyre sizes: 25 to 32 mm

Max. Pressure: see indication on wheel and tyre. If they differ, use the lower of the 2

Max. Pressure tubeless: 25mm 6 bars - 87 PSI, 28mm 5 bars - 70 PSI. Max pressure tubetype: 25mm 7 bars - 102 PSI, 28mm 6 bars - 87 PSI

REFERENCES WHEELS

F80551 CosProCarbSLUST DCL 19 Ft



RIMS



&NBSP::

1	V2736510	KIT FRONT RIM COSMIC PRO CARBON SL UST Disc 19
	V2620101	UST RIM TAPE 25mm (for 21-24mm wide rim)

SPOKES

2	V3665201	KIT 1 FRT 277 + 1 NDS 271 COSMIC PRO CARBON SL UST D 19 STAM
2	V3663501	KIT 12 BUTTED AERO STAINLESS SPOKE 277 + alu nipple + washer

HUB SHELLS

3	N/A	HUB BODY
4	M40129	KIT 2 BEARINGS 6902 15x28x7
5	V2373301	KIT QRM AUTO FRONT AXLE 12mm > 2019

TYRES

6	39938825	Yksion Pro UST 700x25
---	----------	-----------------------

ADAPTERS

V2680301	"Kit Ft Road Adapter 12 >> 9mm"
----------	---------------------------------

MAVIC Cosmic Pro Carbon SL UST Disc

DELIVERED WITH

Mavic tyre sealant (rear wheel) (355 466 01)	
Mavic tyre sealant (rear wheel) (355 466 01)	
Tyre sealant syringe	
Tyre sealant syringe	
Front QR adapters (996 941 01 for MTB or B41 043 01 for road)	
Front QR adapters (996 941 01 for MTB or B41 043 01 for road)	
Rear QR adapters for Instant Drive 360 (B49 894 01)	
Rear QR adapters for Instant Drive 360 (B49 894 01)	
UST valve and accessories (129 838 01)	
UST valve and accessories (129 838 01)	
Tubeless rim tape	
Tubeless rim tape	
User guide	
User guide	

COMPATIBILITY

Freewheel: Shimano/Sram, convertible to Campagnolo and XD-R with optional driver bodies	
Freewheel: Shimano/Sram, convertible to Campagnolo and XD-R with optional driver bodies	
Front axle: 12x100 thru axle, easily convertible to quick release with included adapters. Not compatible with 15mm through axles.	
Front axle: 12x100 thru axle, easily convertible to quick release with included adapters. Not compatible with 15mm through axles.	
Rear axle: 12mm thru axle, convertible to Quick Release with included adapters	
Rear axle: 12mm thru axle, convertible to Quick Release with included adapters	

Specifications

RIMS

- **Material** : 3K carbon fibers
- **Material** : 3K carbon fibers
- **Height** : 45 mm
- **Height** : 45 mm
- **Drilling** : traditional
- **Drilling** : traditional
- Disc brake specific profile
- Disc brake specific profile
- **Valve hole diameter** : 6.5 mm
- **Valve hole diameter** : 6.5 mm
- **Tyre** : UST Tubeless and tubetype
- **Tyre** : UST Tubeless and tubetype
- **Internal width** : 19 mm

Downloaded from [www.mavic.com](#) update date: 2022-04-14

- **Internal width** : 19 mm
- **ETRTO size** : 622x19TC Road

WHEEL HUB

- **Front and rear bodies** : aluminum
- **Front and rear bodies** : aluminum
- **Axle material** : aluminum
- **Axle material** : aluminum
- Auto adjust sealed cartridge bearings (QRM Auto), front and rear
- Auto adjust sealed cartridge bearings (QRM Auto), front and rear
- **Freewheel** : Instant Drive 360
- **Freewheel** : Instant Drive 360
- **Front** : Quick release and 12x100 through axle compatible
- **Front** : Quick release and 12x100 through axle compatible
- **Rear** : Quick Release, 12x142 and 12x135

WHEEL WEIGHTS

685