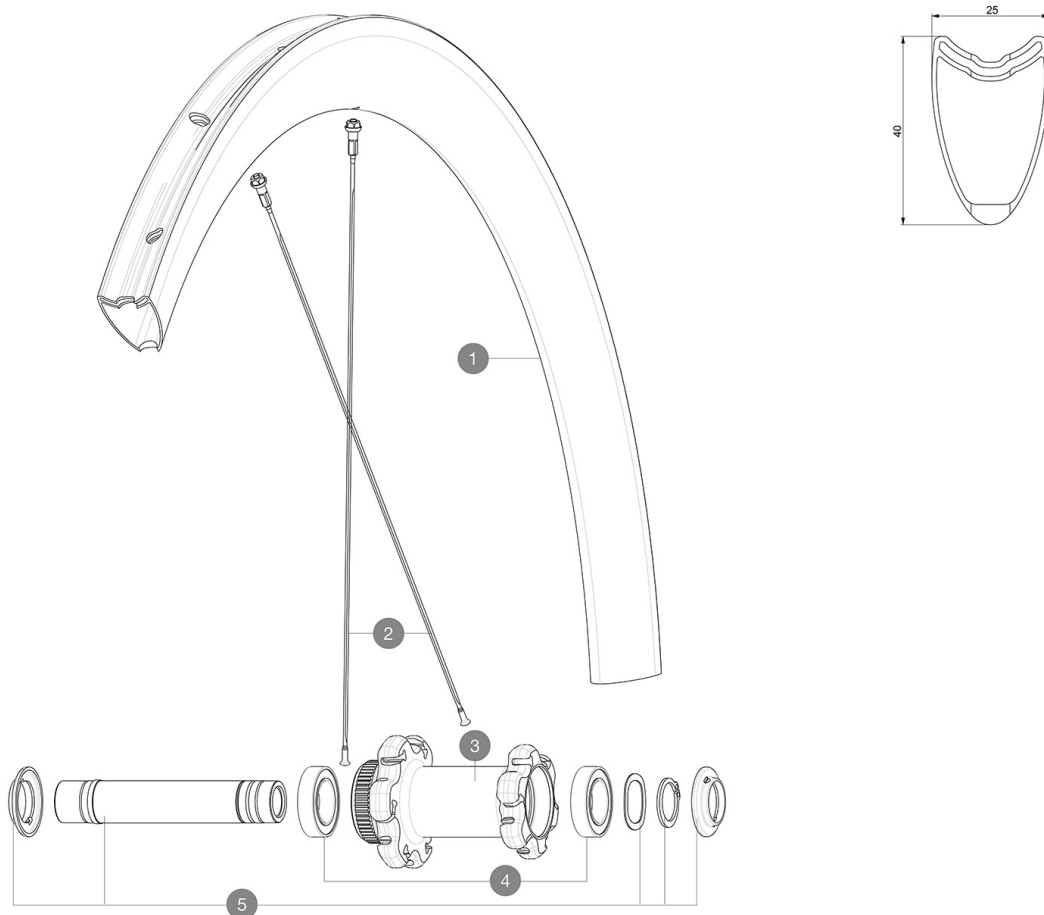


For a longer longevity of the wheel, Mavic recommends that the total weight supported by the wheels don't exceed 120kg, bike included  
 Recommended tyre sizes: 25 to 32 mm  
 Max. Pressure: see indication on wheel and tyre. If they differ, use the lower of the 2  
 Max. Pressure: 23mm 8.7 bars - 125 psi, 25/28mm 7.7 bars - 110 psi

**REFERENCES WHEELS**

F85461 CosProCarb SL T DCL 19 Ft NT



**RIMS**



&NBSP;:

1	V2738410	KIT FRONT RIM COSMIC PRO CARBON SL T Disc 19
---	----------	--

**SPOKES**

2	V3667301	KIT 12 FRT BUTTED AERO STAINLESS SPOKE 279 + alu nipple + wa
2	V3667201	KIT 2 FRT/NDS 279 STAMPED BUTTED AERO STAINLESS SPOKE COSMIC

**HUB SHELLS**

3	N/A	HUB BODY
4	V2500901	KIT BEARINGS 18x30x7 + WAVED WASHER + CLIP
5	V2374101	KIT QRM AUTO FRONT L3 AXLE 100x12mm DCL - while stock last
5	V2374001	KIT 12x100mm FRONT AXLE DCL QRM AUTO ALLROAD > 2019

**ADAPTERS**

	V2680301	"Kit Ft Road Adapter 12 >>> 9mm"
--	----------	----------------------------------

# MAVIC Cosmic Pro Carbon SL T Disc

## DELIVERED WITH

Front QR adapters (996 941 01 for MTB or B41 043 01 for road)	
Front QR adapters (996 941 01 for MTB or B41 043 01 for road)	
Rear QR adapters for Instant Drive 360 (B49 894 01)	
Rear QR adapters for Instant Drive 360 (B49 894 01)	
User guide	
User guide	

## COMPATIBILITY

Freewheel: Shimano/Sram, convertible to Campagnolo and XD-R with optional driver bodies	
Freewheel: Shimano/Sram, convertible to Campagnolo and XD-R with optional driver bodies	
Front axle: 12mm thru axle, easily convertible to quick release with included adapters. Convertible to 15mm with complete axle replacement	
Front axle: 12mm thru axle, easily convertible to quick release with included adapters. Convertible to 15mm with complete axle replacement	
Rear axle: 12mm thru axle, convertible to Quick Release with included adapters	
Rear axle: 12mm thru axle, convertible to Quick Release with included adapters	

## Specifications

### RIMS

- **Material** : 3K carbon fibers
  - **Material** : 3K carbon fibers
  - **Height** : 40 mm
  - **Height** : 40 mm
  - **Drilling** : traditional
  - **Drilling** : traditional
- Disc brake specific profile  
Disc brake specific profile
- **Valve hole diameter** : 6.5 mm
  - **Valve hole diameter** : 6.5 mm
  - **Tyre** : tubular
  - **Tyre** : tubular
  - **ETRTO size** : 28" tubular
  - **ETRTO size** : 28" tubular

### SPOKES

- **Material** : steel
- **Material** : steel
- **Shape** : straight pull, aero, double butted
- **Shape** : straight pull, aero, double butted
- **Nipples** : aluminum, ABS
- **Nipples** : aluminum, ABS
- **Count** : 24 front and rear
- **Count** : 24 front and rear
- **Lacing** : front crossed 2, rear Isopulse
- **Lacing** : front crossed 2, rear Isopulse

### WHEEL HUB

- **Front and rear bodies** : aluminum
  - **Front and rear bodies** : aluminum
  - **Axle material** : aluminum
  - **Axle material** : aluminum
- Auto adjust sealed cartridge bearings (QR Auto), front and rear  
Auto adjust sealed cartridge bearings (QR Auto), front and rear
- **Freewheel** : Instant Drive 360
  - **Freewheel** : Instant Drive 360
  - **Front** : Quick release, 12x100 and 15x100 through axle compatible
  - **Front** : Quick release, 12x100 and 15x100 through axle compatible
  - **Rear** : Quick Release, 12x142 and 12x135 compatible
  - **Rear** : Quick Release, 12x142 and 12x135 compatible

### VERSIONS

- **Color** : Black only
- **Disc standard** : Center Lock(R) only
- **Disc standard** : Center Lock(R) only

### WHEEL WEIGHTS

730