

MAVIC Crossmax Elite 29 19

1
2019
FRONT

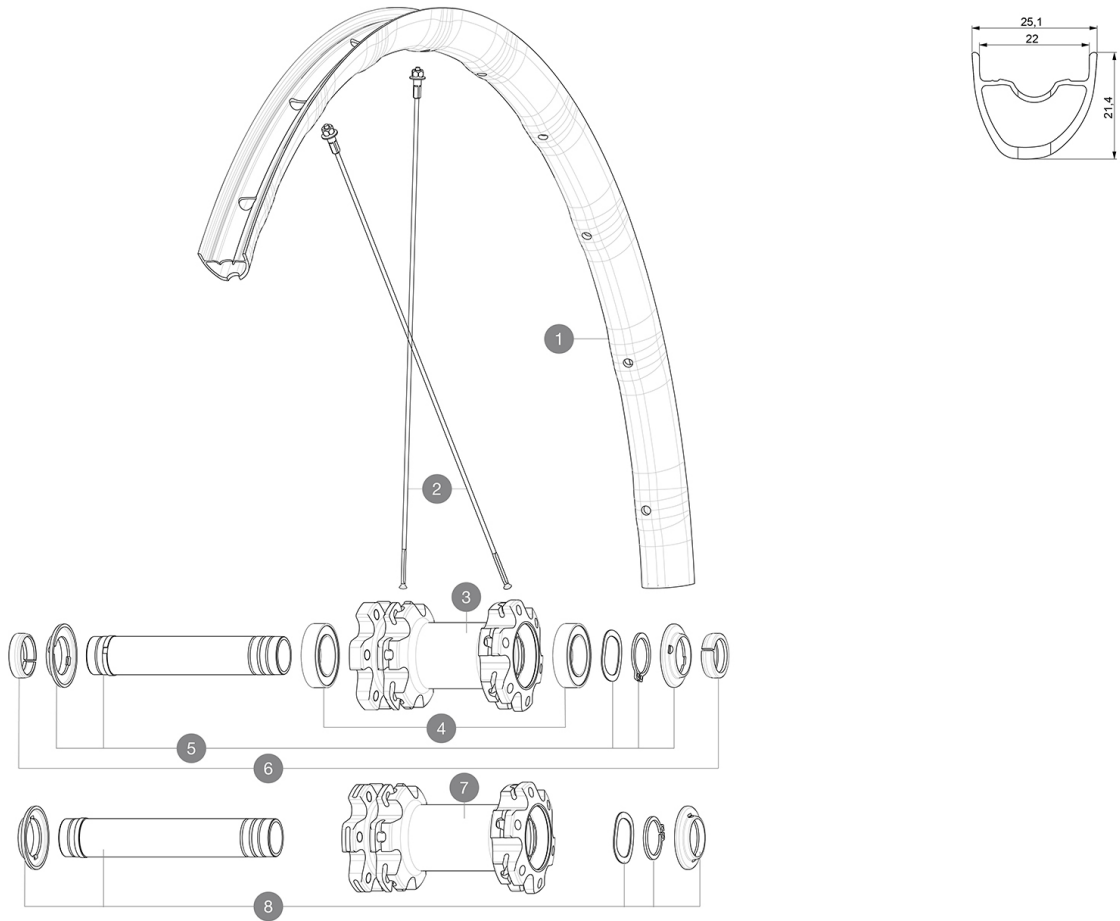
ASTM CATEGORY 3 : CROSS COUNTRY AND TRAIL RIDING

For a longer longevity of the wheel, Mavic recommends that the total weight supported by the wheels don't exceed 120kg, bike included

Recommended tyre sizes: 36 mm to 64 mm (1.4" to 2.5")

REFERENCES WHEELS

F83091	Xmax Elite 29 19 Ft	F83101	Xmax Elite 29 19 Ft Boost
--------	---------------------	--------	---------------------------



RIMS



&NBSP;:

1	V3760515	KIT FRT/REAR RIM CROSSMAX ELITE 19 29" While Stocks lasts
	V2620101	UST RIM TAPE 25mm (for 21-24mm wide rim)

SPOKES

2	V2386701	KIT 12 FRT CROSSMAX ELITE/XA ELITE 19 29" BUTTED SPOKE 297m
---	----------	---

HUB SHELLS

3	N/A	HUB BODY
4	V2500901	KIT BEARINGS 18x30x7 + WAVED WASHER + CLIP
5	V2372301	KIT 100mm AXLE QRM AUTO MTB > 2019
7	N/A	HUB BODY
8	V2372401	KIT 110mm AXLE QRM AUTO MTB > 2019

OPTIONS



V2374401	TORQUE CAPS 15*31 Adapter MTB QRM Auto > 2019 Frt HUB
----------	---

ADAPTERS

6	V2372501	15mm MTB Axle Cap QRM Auto From 2019
	99694101	ADAPTER Ft 15 to 9mm QR

MAVIC Crossmax Elite 29 19

DELIVERED WITH

Front QR adapters (non-boost wheel)	
Front QR adapters (non-boost wheel)	
Rear QR adapters (non-boost wheel)	
Rear QR adapters (non-boost wheel)	
UST valve and accessories (129 838 01)	
UST valve and accessories (129 838 01)	
Tubeless rim tape	
Tubeless rim tape	

COMPATIBILITY

Freewheel: Shimano/Sram or XD	
Freewheel: Shimano/Sram or XD	
Front axle: convertible from 15mm thru axle to Quick Release with adapters (delivered with non-boost wheel)	
Front axle: convertible from 15mm thru axle to Quick Release with adapters (delivered with non-boost wheel)	
Rear axle: 12mm thru axle, convertible to Quick Release with adapters (delivered with non-boost wheel)	
Rear axle: 12mm thru axle, convertible to Quick Release with adapters (delivered with non-boost wheel)	
Freewheel: Shimano Micro Spline	
Freewheel: Shimano Micro Spline	

Specifications

RIMS

- **Material** : Mxstal
 - **Material** : Mxstal
 - **Joint** : SUP
 - **Joint** : SUP
 - **Drilling** : traditional
 - **Drilling** : traditional
 - **Weight reduction** : ISM 4D
 - **Weight reduction** : ISM 4D
 - **Valve hole diameter** : 6.5 mm
 - **Valve hole diameter** : 6.5 mm
 - **Tyre** : UST Tubeless and tubetype
 - **Tyre** : UST Tubeless and tubetype
 - **Internal width** : 22 mm
 - **Internal width** : 22 mm
 - **ETRTO size 27.5"** : 584x22TSS
 - **ETRTO size 27.5"** : 584x22TSS
 - **ETRTO size 29"** : 622x22TSS
 - **ETRTO size 29"** : 622x22TSS
- Hookless profile
Hookless profile
Use with Mavic Tubeless Tape
Use with Mavic Tubeless Tape

SPOKES

- **Material** : steel
- **Material** : steel
- **Shape** : straight pull, flat, double butted
- **Shape** : straight pull, flat, double butted
- **Count** : 24 front and rear
- **Count** : 24 front and rear
- **Lacing** : front and rear crossed 2
- **Lacing** : front and rear crossed 2

WHEEL HUB

- **Front and rear bodies** : aluminum
 - **Front and rear bodies** : aluminum
 - **Axle material** : aluminum
 - **Axle material** : aluminum
- Auto adjust sealed cartridge bearings (QRM Auto), front and rear
Auto adjust sealed cartridge bearings (QRM Auto), front and rear
- **Freewheel** : Instant Drive 360
 - **Freewheel** : Instant Drive 360

VERSIONS

- **Color** : Black only
- **Disc standard** : 6 Bolts only
- **Disc standard** : 6 Bolts only
- **Hub width** : Boost (front 110, rear 148) or Non-Boost (front 100, rear 135/142)
- **Hub width** : Boost (front 110, rear 148) or Non-Boost (front 100, rear 135/142)
- **Freewheel** : Shimano/Sram or XD
- **Freewheel** : Shimano/Sram or XD

WHEEL WEIGHTS