

ASTM CATEGORY 1 : road only

For a longer longevity of the wheel, Mavic recommends that the total weight supported by the wheels don't exceed 120kg, bike included

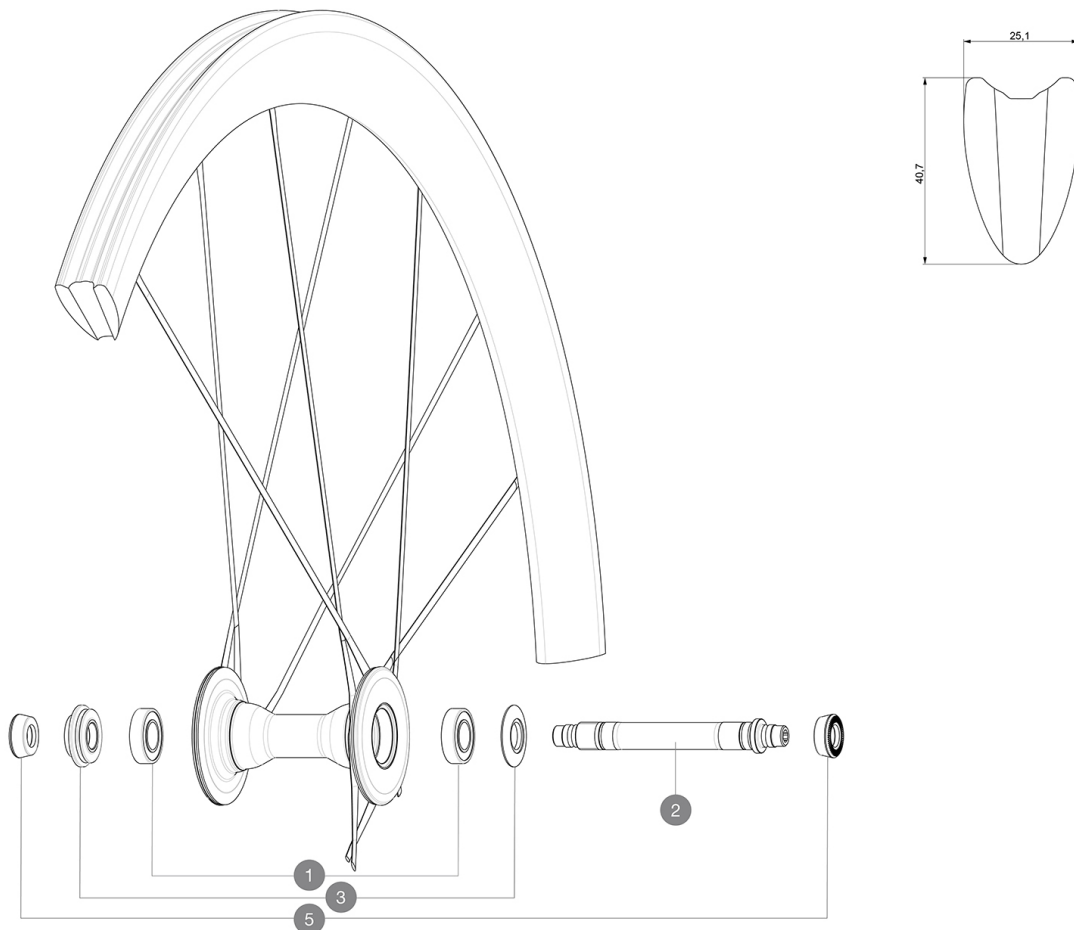
Recommended tyre sizes: 23 to 32 mm

Rear axle: Quick Release only

Max. Pressure: see indication on wheel and tyre. If they differ, use the lower of the 2

REFERENCES WHEELS

F86931 Cosmic Ultimate T 20 Ft



HUB SHELLS

1	M40078	FRONT HUB BEARINGS 6901 x 2
2	36645801	FRONT AXLE COSMIC CARBON ULTIMATE from 2014
3	36645901	FRT ADJUST NUT/CAP CARBON ULTIMATE from 2014

ADAPTERS

5	35117301	FT/RR FORK REST R-SYS/CC ULTIMATE > 2013/KSY PRO CARB T
---	----------	---

MAVIC COSMIC ULTIMATE T

 2020
FRONT

DELIVERED WITH

User guide	
BR601 Titanium quick releases (323 485 01 frt, 323 486 01 rear)	
BR601 Titanium quick releases (323 485 01 frt, 323 486 01 rear)	
BR601 Titanium quick releases (323 485 01 frt, 323 486 01 rear)	
Carbon brake pads (V24 603 01 Shimano/Sram, V24 604 01 Campagnolo)	
Carbon brake pads (V24 603 01 Shimano/Sram, V24 604 01 Campagnolo)	
Carbon brake pads (V24 603 01 Shimano/Sram, V24 604 01 Campagnolo)	
Carbon brake pads (V24 603 01 Shimano/Sram, V24 604 01 Campagnolo)	
Computer magnet ([99624501])	
Computer magnet ([99624501])	
Carbon brake pads (V24 603 01 Shimano/Sram, V24 604 01 Campagnolo)	
Multifonction adjustment wrench (325 423 01)	
Multifonction adjustment wrench (325 423 01)	
Multifonction adjustment wrench (325 423 01)	
Multifonction adjustment wrench (325 423 01)	
User guide	
User guide	
User guide	

COMPATIBILITY

Freewheel: Shimano/Sram, convertible to Campagnolo and XD-R with optional driver bodies	
Freewheel: Shimano/Sram, convertible to Campagnolo and XD-R with optional driver bodies	
Freewheel: Shimano/Sram, convertible to Campagnolo and XD-R with optional driver bodies	
Front axle: Quick Release only	
Front axle: Quick Release only	
Front axle: Quick Release only	
Rear axle: Quick Release only	
Rear axle: Quick Release only	
Rear axle: Quick Release only	
Freewheel: Shimano/Sram, convertible to Campagnolo and XD-R with optional driver bodies	
Freewheel: Shimano/Sram, convertible to Campagnolo and XD-R with optional driver bodies	
ID360 Shimano / Sram freewheel body ([V3430101] - Delivered on the wheel)	
QRM Auto Qualit� de Roulements Mavic Auto Our latest innovation. Those cartridge bearings are of course double sealed with C3 internal clearance. Their preload is automatically adjusted to guarantee a perfect spin with no play on the long run.	
ID360 Shimano / Sram freewheel body ([V3430101] - Delivered on the wheel)	
Front axle: Quick Release only	
QRM+ Qualit� de Roulements Mavic + Our most demanding level. Those cartridge bearings are of course double sealed with C3 internal clearance, and topped with a micro-adjustability system.	
Instant Drive 360 The new Instant Drive 360 freewheel system is super light and fast to engage with only 9�. A large contactless rubber seal provides low friction,	