

**MAVIC** *Ksyrium Elite UST Disc*

ASTM CATEGORY 2 : road and offroad with jumps less than 15cm

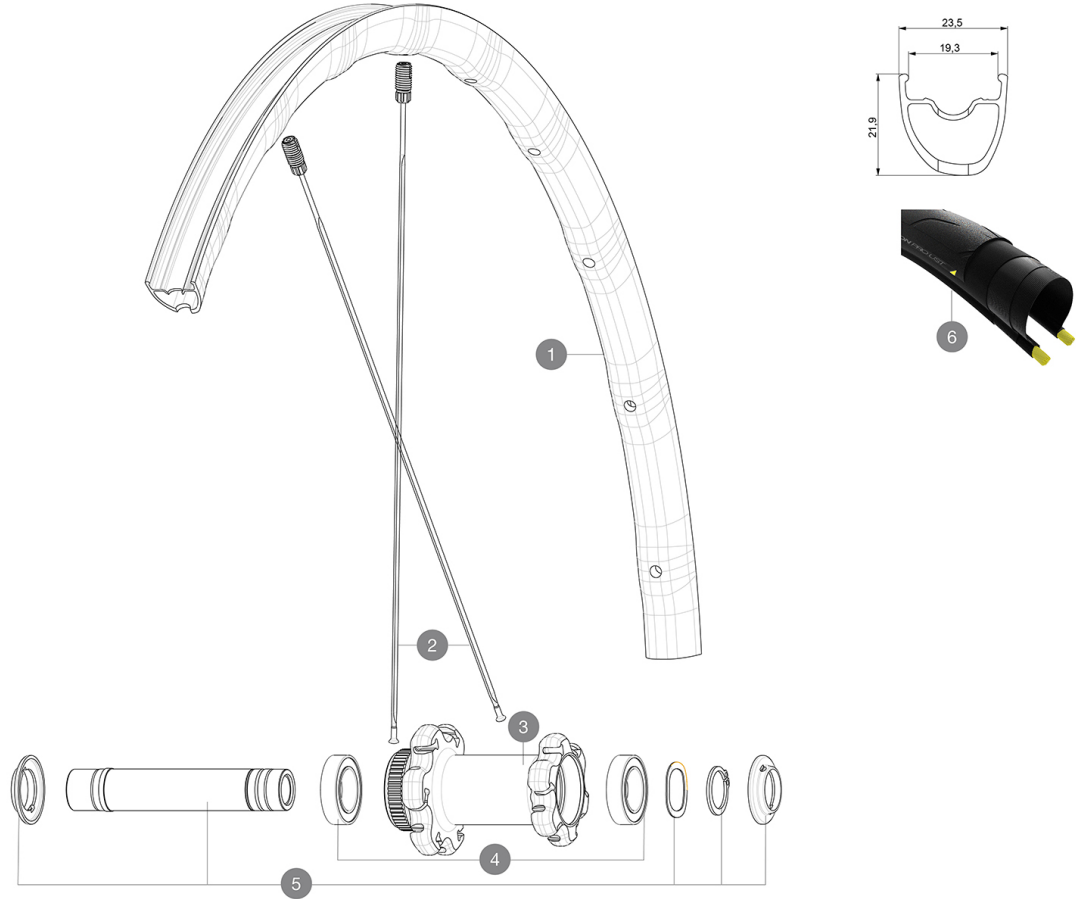
For a longer longevity of the wheel, Mavic recommends that the total weight supported by the wheels don't exceed 120kg, bike included

Recommended tyre sizes: 25 to 32 mm

Max. Pressure: see indication on wheel and tyre. If they differ, use the lower of the 2

**REFERENCES WHEELS**

F87871 Ksyrium EI UST DCL 20 Ft

**RIMS**

&NBSP::

1 V2739710 KIT FRONT RIM KSYRIUM ELITE DISC UST 20

**SPOKES**

2 V2273401 KIT 12 FRT/NON DRIVE SIDE BUTTED SPOKE 297mm

**HUB SHELLS**

3 N/A HUB BODY  
4 V2500901 KIT BEARINGS 18x30x7 + WAVED WASHER + CLIP  
5 V2374001 KIT 12x100mm FRONT AXLE DCL QRM AUTO ALLROAD > 2019

**TYRES**


6 39938825 Yksion Pro UST 700x25

**ADAPTERS**

V2680301 "Kit Ft Road Adapter 12 >> 9mm"

# MAVIC Ksyrium Elite UST Disc

## DELIVERED WITH

Mavic tyre sealant (rear wheel) (355 466 01)	
Tyre sealant syringe	
Front QR adapters (996 941 01 for MTB or B41 043 01 for road)	
Rear QR adapters for Instant Drive 360 (B49 894 01)	
UST valve and accessories (129 838 01)	
User guide	

## COMPATIBILITY

Freewheel: Shimano/Sram, convertible to Campagnolo and XD-R with optional driver bodies	
Front axle: 12mm thru axle, easily convertible to quick release with included adapters. Convertible to 15mm with complete axle replacement	
Rear axle: 12mm thru axle, convertible to Quick Release with included adapters	

## Specifications

### RIMS

- **Material** : Mactal
  - **Height** : 22 mm
  - **Joint** : SUP
  - **Drilling** : Fore
- Disc brake specific profile
- **Weight reduction** : ISM 4D
  - **Valve hole diameter** : 6.5 mm
  - **Tyre** : UST Tubeless and tubetype
  - **Internal width** : 19 mm
  - **ETRTO size** : 622x19TC Road

### SPOKES

- **Material** : steel
- **Shape** : straight pull, flat
- **Nipples** : Fore integrated aluminum
- **Count** : 24 front and rear
- **Lacing** : front crossed 2, rear Isopulse

### WHEEL HUB

- **Front and rear bodies** : aluminum
  - **Axle material** : aluminum
- Auto adjust sealed cartridge bearings (QRM Auto), front and rear
- **Freewheel** : Instant Drive 360
  - **Front** : Quick release, 12x100 and 15x100 through axle compatible
  - **Rear** : Quick Release, 12x142 and 12x135 compatible

### VERSIONS

- **Color** : Black only
- **Disc standard** : Center Lock(R) only

### WHEEL WEIGHTS

770