

# MAVIC Comete Pro Carbon UST

## REFERENCES WHEELS

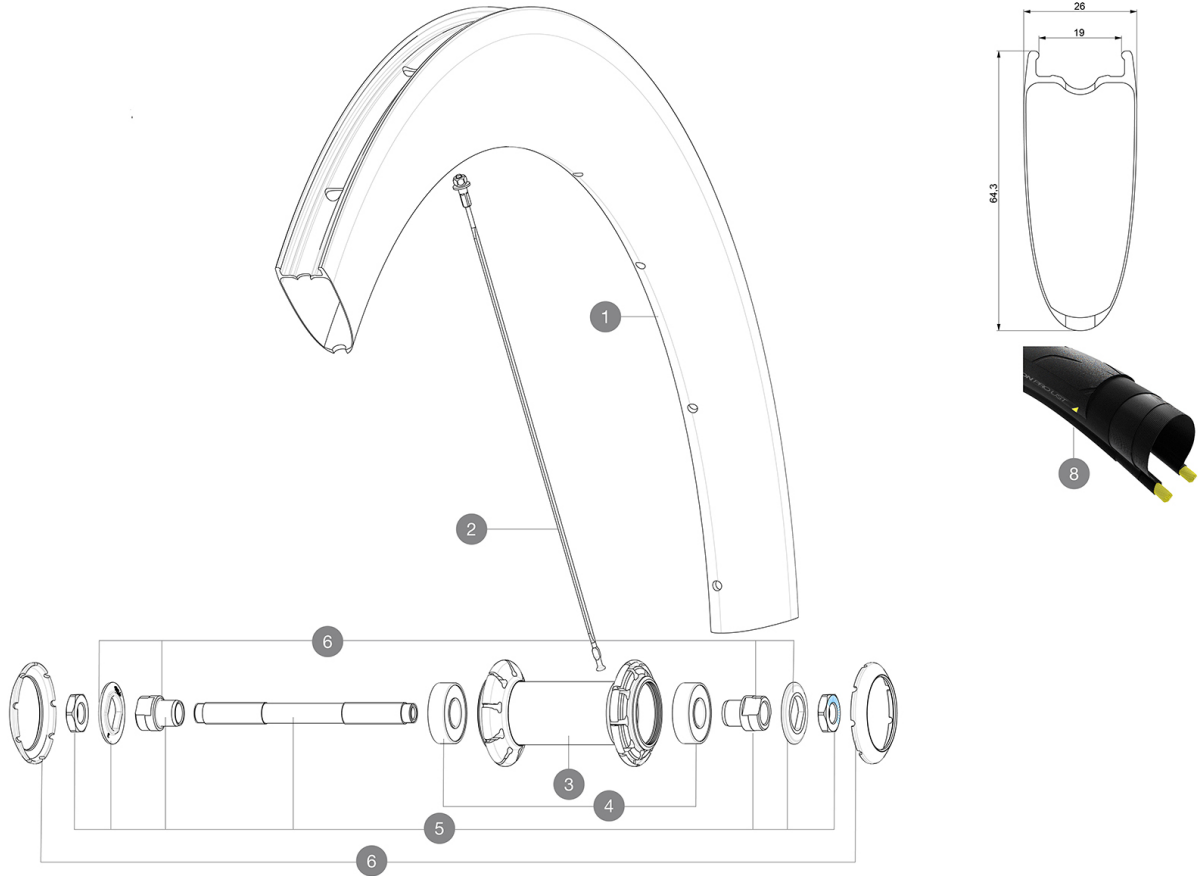
F87721 Comete Pro Carbon UST Ft

ASTM CATEGORY 1 : road only

For a longer longevity of the wheel, Mavic recommends that the total weight supported by the wheels don't exceed 120kg, bike included

Recommended tyre sizes: 25 to 32 mm

Max. Pressure: see indication on wheel and tyre. If they differ, use the lower of the 2



## RIMS



&NBSP;:

1	V2737210 V3720101	KIT FRONT RIM COMETE PRO CARBON SL UST 19 25mm UST Tape for 19 to 22mm Road Rims
---	----------------------	---


## SPOKES

2	V3668701	Kit 2 front/rear 245mm stamped butted spoke Comete Pro Carbo
2	V4161501	Kit 2 front/rear 245mm stamped butted stainless spoke Comete
2	V3668601	Kit 12 front/rear NDS butted spoke 245mm Com Pro Carbon UST
2	V4161401	Kit 12 front/rear NDS butted stainless spoke 245mm Com Pro C

## HUB SHELLS

3	N/A	HUB BODY
4	M40318	KIT 2 HUB BEARINGS 6001
5	99603801	SHORT EXPENSIBLE BEARING SUPPORTS > 2008
6	99603701	FRONT AXLE QRM ROAD 2008
7	12034401	KIT 3 HUB CAPS AERO 10 SLOTS BLACK

**DELIVERED WITH**

Mavic tyre sealant (rear wheel) (355 466 01)	
BR301 quick releases (V24 501 01 frt, V24 502 01 rear)	
Tyre sealant syringe	
Carbon brake pads (V24 603 01 Shimano/Sram, V24 604 01 Campagnolo)	
UST valve and accessories (129 838 01)	
Tubeless rim tape	
User guide	

**COMPATIBILITY**

Freewheel: Shimano/Sram, convertible to Campagnolo with optional driver body	
Front axle: Quick Release only	
Rear axle: Quick Release only	

**Specifications****RIMS**

- **Material** : 3K carbon fibers
  - **Height** : 64mm
  - **Drilling** : traditional
  - **Brake track** : carbon with iTgMAX technology
  - **Valve hole diameter** : 6.5 mm
  - **Tyre** : UST Tubeless and tubetype
  - **Internal width** : 19 mm
  - **ETRTO size** : 622x19TC Road
- Use with Mavic Tubeless Tape

**SPOKES**

- **Material** : steel
- **Shape** : straight pull, flat
- **Nipples** : steel, ABS
- **Count** : front 18, rear 20
- **Lacing** : radial front and rear non-drive side, crossed 2 rear drive side

**WHEEL HUB**

- **Front and rear bodies** : aluminum
  - **Axle material** : steel
- Sealed cartridge bearings (QRM)
- **Freewheel** : FTS-L steel

**VERSIONS**

- **Color** : Black only

**WHEEL WEIGHTS**

835