

**MAVIC** **DEEMAX PRO SAM HILL 27,5**

## ASTM CATEGORY 4 : ENDURO AND TRAIL RIDING

For a longer longevity of the wheel, Mavic recommends that the total weight supported by the wheels don't exceed 120kg, bike included

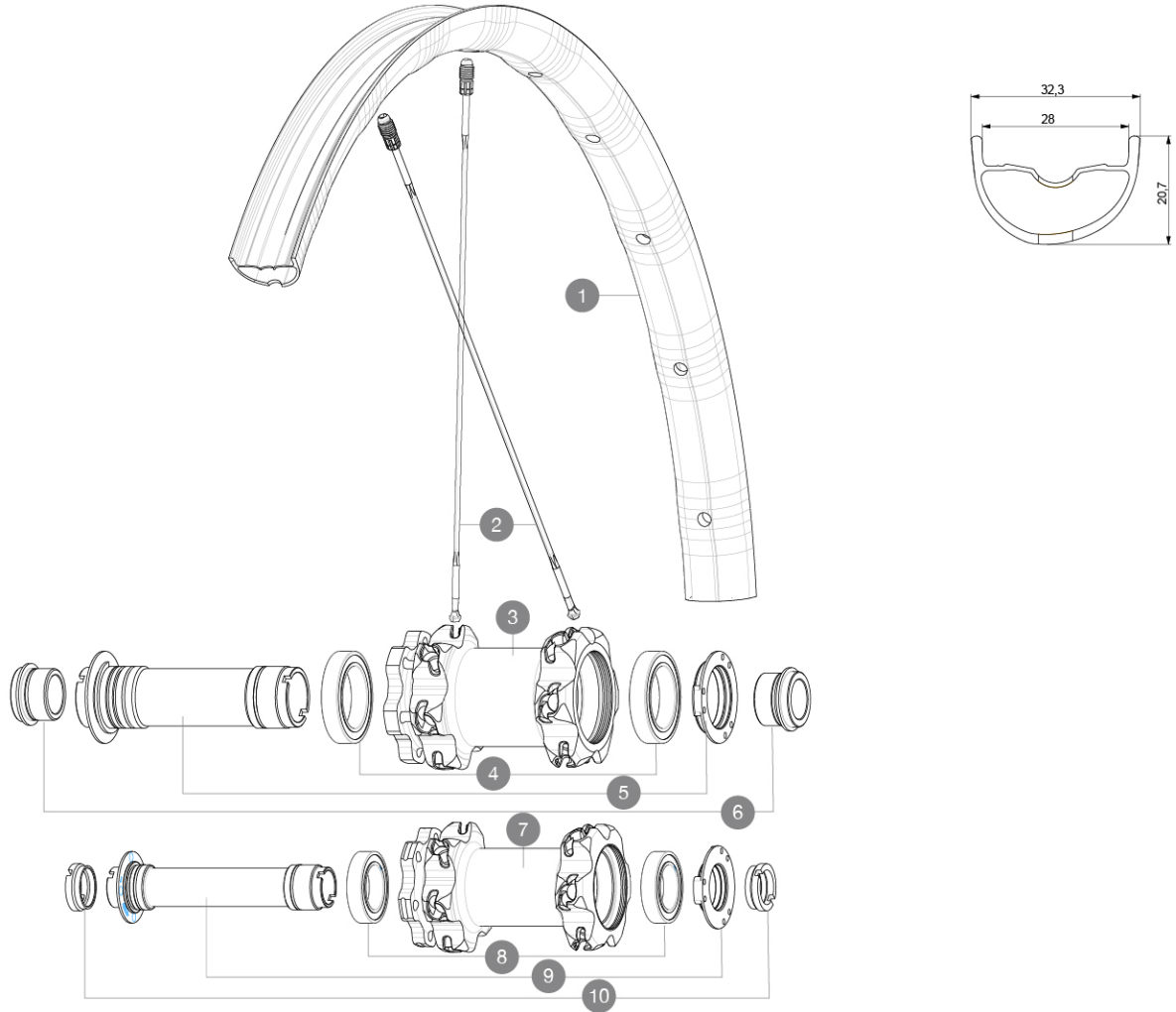
For a longer longevity of the wheel, Mavic recommends that the total weight supported by the wheels doesn't exceed 150kg, bike included

Recommended tyre sizes: 46mm to 64mm (1.8" to 2.5")

**REFERENCES WHEELS**

F89111 DEEMPRO SH INT 27,5 BST

F89731 DEEMPRO SH INT 27,5 BST20

**RIMS**

&amp;NBSP::

<b>1</b>	V3764410	KIT FRONT RIM DEEMAX PRO SH 27,5"
----------	----------	-----------------------------------

**SPOKES**

<b>2</b>	36674901	KIT 12 FT XMAX END/FT-NDS DEEMAX PRO 27,5" ALU SPK 275mm
----------	----------	----------------------------------------------------------

**HUB SHELLS**

<b>3</b>	N/A	HUB BODY
<b>4</b>	M40179	FRONT BEARING 25x37x7 20mm AXLE
<b>5</b>	30870501	FRONT AXLE 20mm CROSSMAX + DEEMAX ULTI 2012
<b>7</b>	N/A	HUB BODY
<b>8</b>	99688501	BEARING KIT 9/12/15 D6T HUB 20x32x7 6804
<b>9</b>	V2370701	KIT FRONT QRM+ AXLE BOOST INTL 110mm


**OPTIONS**

V2650201	ADAPTER Front Torque Cap 15x31 MTB QRM +
----------	------------------------------------------

**ADAPTERS**

<b>6</b>	12982801	ADAPTER Ft 20 to 15mm
<b>10</b>	B4104401	ADAPTER Ft 15mm QRM+
	12982901	ADAPTER Ft 20x110mm
	12982701	ADAPTER Ft 20 to 9mm QR incl.
	B4104301	ADAPTER Ft 9mm QR QRM+

## DELIVERED WITH

UST valve and accessories (129 838 01)	
UST valve and accessories (129 838 01)	
UST valve and accessories (129 838 01)	
UST valve and accessories (129 838 01)	
Specific disc bolts (308 719 01)	
Specific disc bolts (308 719 01)	
Specific disc bolts (308 719 01)	
Specific disc bolts (308 719 01)	
Multifunction adjustment wrench (325 423 01)	
Multifunction adjustment wrench (325 423 01)	
Multifunction adjustment wrench (325 423 01)	
Multifunction adjustment wrench (325 423 01)	
Replacement spokes (2 with the front wheel and 4 with the rear)	
User guide	
User guide	
User guide	
User guide	
Sram XD (on the wheel) and Shimano HG freewheel bodies	

## COMPATIBILITY

Freewheel: Shimano/Sram or XD	
Rear axle: 12mm thru axle, convertible to Quick Release with optional adapters	
Rear axle: 12mm thru axle, convertible to Quick Release with optional adapters	
Freewheel: Shimano Micro Spline	
Freewheel: Shimano Micro Spline	
Freewheel: Shimano/Sram or XD (both delivered with the wheel)	
Freewheel: Shimano HG9, XD or Micro Spline	
Rear axle: 12x148 Boost thru axle	
Front axle: 15x110 Boost thru axle	