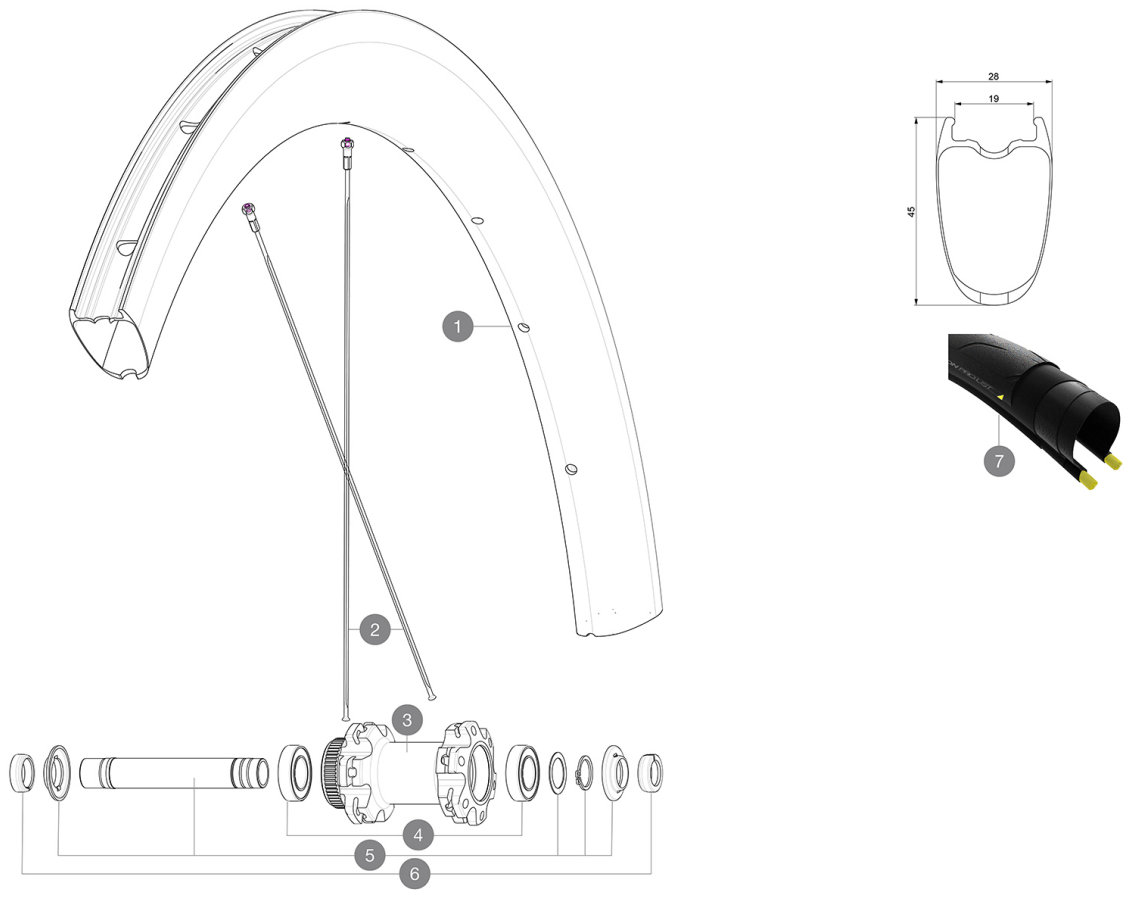


MAVIC Cosmic Pro Carbon Disc TDF

REFERENCES WHEELS

F89391 CosProCarb UST DCL TDF2 Ft

ASTM CATEGORY 1 : road only
For a longer longevity of the wheel, Mavic recommends that the total weight supported by the wheels don't exceed 120kg, bike included
Recommended tyre sizes: 25 to 32 mm
Max. Pressure: see indication on wheel and tyre. If they differ, use the lower of the 2



RIMS



1	V4091010	KIT FRONT RIM COSMIC PRO CARBON UST DISC TdF 20 - while stoc
1	V4092815	Kit Front/Rear rim Cosmic SL 45 Disc
	V2620101	UST RIM TAPE 25mm (for 21-24mm wide rim)

SPOKES

2	V4161201	Kit 12 Front/Rear non Drive Side Stainless Spokes 273 Cosmic
2	V3665901	KIT 12 FRT/NDS COSMIC PRO CARBON UST Disc SPOKE 273 + nipple

HUB SHELLS

3	N/A	HUB BODY
4	M40129	KIT 2 BEARINGS 6902 15x28x7
5	V2373301	KIT QRM AUTO FRONT AXLE 12mm > 2019

ADAPTERS

6	V2680501	12mm Road Axle Cap QRM Auto
	V2680301	"Kit Ft Road Adapter 12 >> 9mm"

DELIVERED WITH

Mavic tyre sealant (rear wheel) (355 466 01)	
Tyre sealant syringe	
Front QR adapters (996 941 01 for MTB or B41 043 01 for road)	
Rear QR adapters for Instant Drive 360 (B49 894 01)	
UST valve and accessories (129 838 01)	
Tubeless rim tape	
User guide	

COMPATIBILITY

Freewheel: Shimano/Sram, convertible to Campagnolo and XD-R with optional driver bodies	
Front axle: 12x100 thru axle, easily convertible to quick release with included adapters. Not compatible with 15mm through axles.	
Rear axle: 12mm thru axle, convertible to Quick Release with included adapters	

Specifications**RIMS**

- **Material** : 3K carbon fibers
- **Height** : 45 mm
- **Drilling** : traditional
Disc brake specific profile
- **Valve hole diameter** : 6.5 mm
- **Tyre** : UST Tubeless and tubetype
- **Internal width** : 19 mm
- **ETRTO size** : 622x19TC Road
Use with Mavic Tubeless Tape

SPOKES

- **Material** : steel
- **Shape** : straight pull, flat
- **Nipples** : steel, ABS
- **Count** : 24 front and rear
- **Lacing** : front and rear crossed 2

WHEEL HUB

- **Front and rear bodies** : aluminum
- **Axle material** : aluminum
Auto adjust sealed cartridge bearings (QR Auto), front and rear
- **Freewheel** : Instant Drive 360
- **Front** : Quick release and 12x100 through axle compatible
- **Rear** : Quick Release, 12x142 and 12x135 compatible

VERSIONS

- **Color** : Black only
- **Disc standard** : Center Lock(R) only

WHEEL WEIGHTS

780