

MAVIC ALLROAD SL DISC

ASTM CATEGORY 2 : road and offroad with jumps less than 15cm

For a longer longevity of the wheel, Mavic recommends that the total weight supported by the wheels doesn't exceed 120kg, bike included

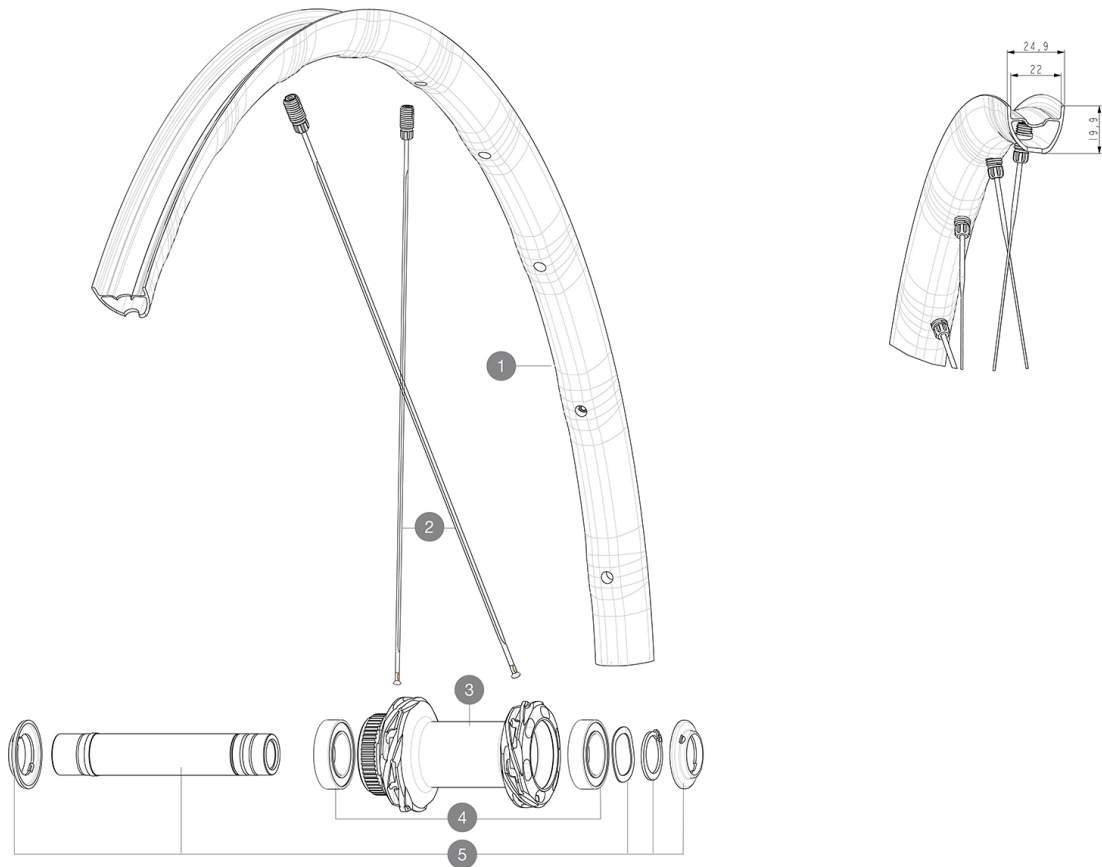
Maximum tyre pressure: 4,6bar/67PSI with a 28mm tyre - 32,7bar/39PSI with a 64mm tyre

Recommended tyre sizes: 28 to 64 mm (1.1" to 2.5")

Max. Pressure: see indication on wheel and tyre. If they differ, use the lowest of the 2

REFERENCES WHEELS

F90331 ALL SL CL 700 12X100

**RIMS**

&NBSP;;

| | | |
|---|-----------|---|
| 1 | V00097431 | Kit Front/Rear rim Allroad SL 23 |
| 1 | V4092015 | Kit Front/Rear rim Allroad SL while stock lasts |

SPOKES

| | | |
|---|----------|--|
| 2 | V4162501 | Kit 12 Front/Rear Allroad SL aero spoke 298 M7/7 |
|---|----------|--|

HUB SHELLS

| | | |
|---|----------|---|
| 3 | N/A | HUB BODY |
| 4 | V2500901 | KIT BEARINGS 18x30x7 + WAVED WASHER + CLIP |
| 5 | V2374001 | KIT 12x100mm FRONT AXLE DCL QRM AUTO ALLROAD > 2019 |

OPTIONS

| | |
|----------|--|
| V2680301 | "Kit Ft Road Adapter 12 >> 9mm" |
| V2373501 | QRM Auto front axle 15mm for DCL Allroad wheels > 2019 |
| V2372501 | 15mm MTB Axle Cap QRM Auto From 2019 |

DELIVERED WITH

| | |
|---|--|
| UST valve and accessories (129 838 01) | |
| UST valve and accessories (129 838 01) | |
| User guide | |
| User guide | |

COMPATIBILITY

| | |
|--|--|
| Freewheel: Shimano/Sram, convertible to Campagnolo and XD-R with optional driver bodies | |
| Freewheel: Shimano/Sram, convertible to Campagnolo and XD-R with optional driver bodies | |
| Front axle: 12mm thru axle, easily convertible to quick release with optional adapters. Convertible to 15mm with complete axle replacement | |
| Front axle: 12mm thru axle, easily convertible to quick release with optional adapters. Convertible to 15mm with complete axle replacement | |
| Rear axle: 12mm thru axle, convertible to Quick Release with optional adapters | |
| Rear axle: 12mm thru axle, convertible to Quick Release with optional adapters | |

Specifications

RIMS

- **Material** : Maxtal
 - **Material** : Maxtal
 - **Height** : 22 mm
 - **Height** : 22 mm
- SUP
Disc brake specific profile
Disc brake specific profile
- **Weight reduction** : ISM 4D
 - **Weight reduction** : ISM 4D
 - **Tire** : UST Tubeless and tubetype
 - **Tire** : UST Tubeless and tubetype
 - **Internal width** : 22 mm
 - **Internal width** : 22 mm
 - **ETRTO size** : 622x22TSS ROAD
 - **ETRTO size** : 622x22TSS ROAD
- Hookless profile
Hookless profile
Fore
Fore
UST
UST
SUP

SPOKES

- **Material** : steel
- **Material** : steel
- **Shape** : straight pull, elliptical aero, double butted (patented)
- **Shape** : straight pull, elliptical aero, double butted (patented)
- **Nipples** : Fore integrated aluminum
- **Nipples** : Fore integrated aluminum
- **Count** : 24 front and rear
- **Count** : 24 front and rear
- **Lacing** : front and rear crossed 2, contactless
- **Lacing** : front and rear crossed 2, contactless

WHEEL HUB

- Infinity Hub
- **Front and rear bodies** : aluminum
 - **Axle material** : aluminum
- Instant Drive 360
QRM Auto
- **Front** : Quick release, 12x100 and 15x100 through axle compatible
 - **Front and rear bodies** : aluminum
 - **Rear** : Quick Release, 12x142 and 12x135 compatible
 - **Axle material** : aluminum
- Hub available for Center Lock brake rotors only
- **Front** : Quick release, 12x100 and 15x100 through axle compatible
 - **Rear** : Quick Release, 12x142 and 12x135 compatible
- Infinity Hub
Instant Drive 360
QRM Auto

VERSIONS

- **Disc standard** : Center Lock (R) only
- **Disc standard** : Center Lock (R) only
- **Freewheel** : Shimano/Sram or XD-Road
- **Freewheel** : Shimano/Sram

WHEEL WEIGHTS

740