

**MAVIC** ALLROAD SL ROAD+

ASTM CATEGORY 2 : road and offroad with jumps less than 15cm

For a longer longevity of the wheel, Mavic recommends that the total weight supported by the wheels doesn't exceed 120kg, bike included

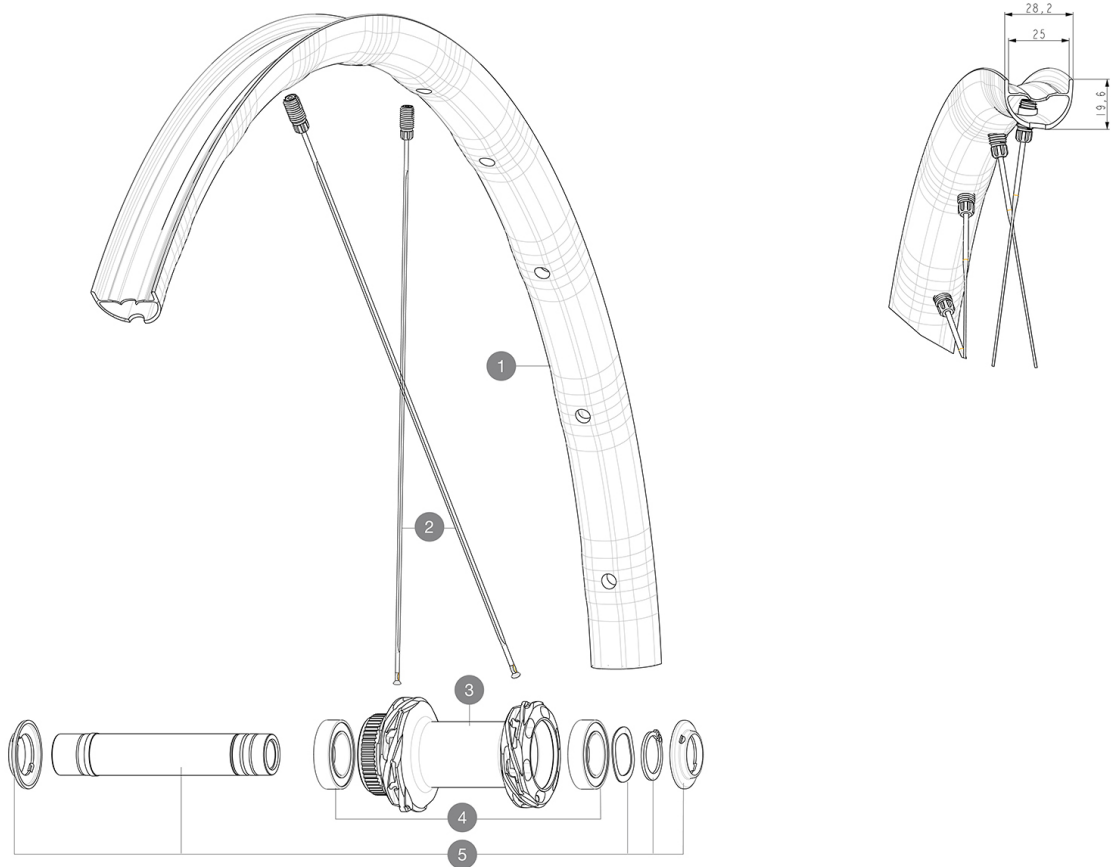
Maximum tyre pressure: 4.1bar/59PSI with a 28mm tyre - 2.45bar/36PSI with a 64mm tyre

Recommended tyre sizes: 28 to 64 mm (1.1" to 2.5")

Max. Pressure: see indication on wheel and tyre. If they differ, use the lowest of the 2

**REFERENCES WHEELS**

F90371 ALLSLRD+ CL 650B 12X100

**RIMS**

&NBSP;;

1 V4093515 Kit Front/Rear rim Allroad SL Road+

**SPOKES**

2 V4163601 Kit 12 Front/Rear Allroad SL Road+ spoke 279 M7/7

**HUB SHELLS**

3 N/A HUB BODY  
4 V2500901 KIT BEARINGS 18x30x7 + WAVED WASHER + CLIP  
5 V2374001 KIT 12x100mm FRONT AXLE DCL QRM AUTO ALLROAD > 2019

**OPTIONS**

V2373501 QRM Auto front axle 15mm for DCL Allroad wheels > 2019

**ADAPTERS**

V2680301 "Kit Ft Road Adapter 12 >> 9mm"

## DELIVERED WITH

UST valve and accessories (129 838 01)	
UST valve and accessories (129 838 01)	
UST valve and accessories (129 838 01)	
Multifunction adjustment wrench (delivered with rear wheel) (325 423 01)	
User guide	
User guide	
User guide	

## COMPATIBILITY

Freewheel: Shimano/Sram, convertible to Campagnolo and XD-R with optional driver bodies	
Freewheel: Shimano/Sram, convertible to Campagnolo and XD-R with optional driver bodies	
Front axle: 12mm thru axle, easily convertible to quick release with optional adapters. Convertible to 15mm with complete axle replacement	
Front axle: 12mm thru axle, easily convertible to quick release with optional adapters. Convertible to 15mm with complete axle replacement	
Rear axle: 12mm thru axle, convertible to Quick Release with optional adapters	
Freewheel body: convertible SRAM XD road (kit V2580101 sold separately)	
Rear axle: 12mm thru axle, convertible to Quick Release with optional adapters	
Freewheel body: convertible SHIMANO HG light road (kit V3850101 sold separately)	
Freewheel body: convertible SHIMANO MS (kit V3990101 sold separately)	
Front axle: 12mm thru axle, easily convertible to quick release with optional adapters. Convertible to 15mm with complete axle replacement	
Freewheel body: convertible CAMPAGNOLO N3W (kit V4270101 sold separately)	
ID360 Shimano Micro Spline alloy freewheel body (V3990101)	
Front axle: convertible from 15mm thru axle to Quick Release with adapters (delivered with non-boost wheel)	
ID360 Sram XD freewheel body (V3740101)	
Rear axle: for fixing nuts only (included), M9x1 thread	

## Specifications

### RIMS

- Material : Mxstal
- Material : Mxstal
- Material : Mxstal
- Height : 22 mm
- Height : 22 mm
- Height : 22 mm

### WHEEL HUB

- Infinity Hub
- Body : aluminum
- Front and rear bodies : aluminum
- Axle material : aluminum
- Instant Drive 360
- QRM Auto
- Front : Quick release, 12x100 and 15x100 through axle compatible
- Front and rear bodies : aluminum

### WHEEL WEIGHTS

723