

**MAVIC** **E-DEEMAX S 30 29**

ASTM CATEGORY 5 : GRAVITY RIDING FOCUSED ON THE DESCENT

Maximum tyre pressure: 2.95bar/43PSI with a 52mm tyre - 1.55bar/22PSI with a 125mm tyre

Minimum tyre size: width 52mm - pressure max. 2.95Bar/43PSI

Recommended tyre sizes: 60mm to 76mm (2.35" to 3.0")

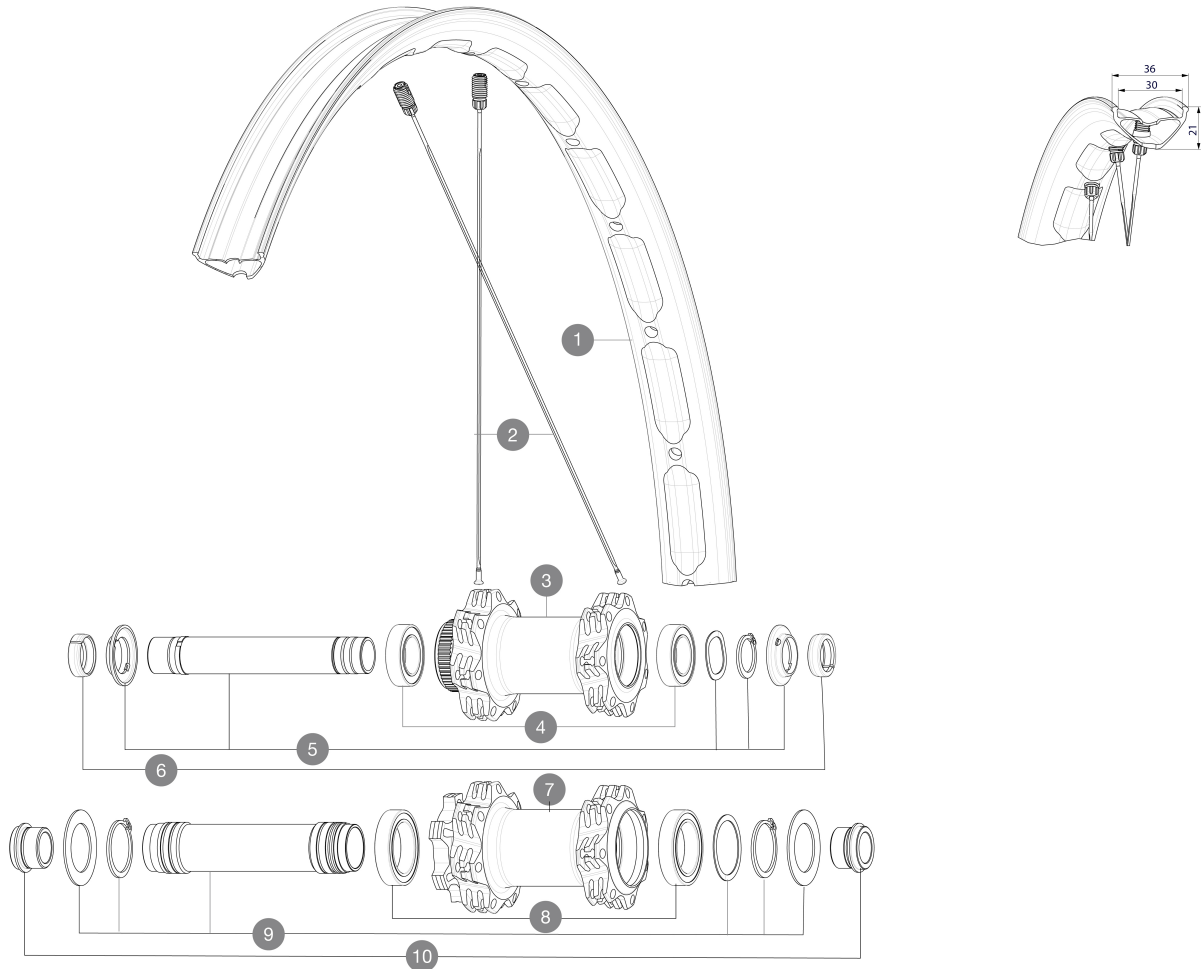
For a longer longevity of the wheel, Mavic recommends that the total weight supported by the wheels doesn't exceed 180kg, E-bike included

For a longer longevity of the wheel, Mavic recommends that the total weight supported by the wheels doesn't exceed 180kg, Ebike included

**REFERENCES WHEELS**

F91623 E-DEEMAX S 30 INT 29 BST

F91633 E-DEEMAX S 30 CL 29 BST

**RIMS**

&amp;NBSP;:

|          |          |  |
|----------|----------|--|
| <b>1</b> | V3766415 | Kit Front/Rear rim eDeemax S 29        |
|          | V3750101 | 35mm UST Green Tape for 30mm wide rims |

**SPOKES**

|          |          |  |
|----------|----------|--|
| <b>2</b> | V2388501 | Kit 14 Front eDeemax S 29" butted spoke 306 M7/7 |
|----------|----------|--|

**HUB SHELLS**

|          |          |   |
|----------|----------|---|
| <b>3</b> | N/A      | HUB BODY                                    |
| <b>4</b> | V2500901 | KIT BEARINGS 18x30x7 + WAVED WASHER + CLIP  |
| <b>5</b> | V2375601 | Kit 110mm axle QRM auto MTB from 2019 DCL   |
| <b>7</b> | N/A      | HUB BODY                                    |
| <b>8</b> | M40179   | FRONT BEARING 25x37x7 20mm AXLE             |
| <b>9</b> | V2373701 | KIT 20x110mm BOOST AXLE QRM AUTO MTB > 2019 |

**OPTIONS**

|          |   |
|----------|---|
| V2650401 | TORQUECAP20*31 FT QRM AUTO MTB                        |
| V2374401 | TORQUE CAPS 15*31 Adapter MTB QRM Auto > 2019 Frt HUB |

**ADAPTERS**

|           |          |                                       |
|-----------|----------|---------------------------------------|
| <b>6</b>  | V2372501 | 15mm MTB Axle Cap QRM Auto From 2019  |
| <b>10</b> | 12982801 | ADAPTER Ft 20 to 15mm                 |
|           | V2680401 | 20x110 BOOST Front Adapter MTB wheels |
|           | 99694101 | ADAPTER Ft 15 to 9mm QR               |

# MAVIC E-DEEMAX S 30 29

## DELIVERED WITH

|   |  |
|---|--|
| UST valve and accessories<br>(129 838 01)                                   |  |
| UST valve and accessories<br>(129 838 01)                                   |  |
| UST valve and accessories<br>(129 838 01)                                   |  |
| Multifunction adjustment wrench (delivered with rear wheel)<br>(325 423 01) |  |
| Multifunction adjustment wrench (delivered with rear wheel)<br>(325 423 01) |  |
| Multifunction adjustment wrench (delivered with rear wheel)<br>(325 423 01) |  |
| User guide  |  |
| Fore adjustment wrench  |  |
| 2 replacement spokes with each wheel  |  |
| 2 replacement spokes with each wheel  |  |
| 2 replacement spokes with each wheel  |  |
| Fore adjustment wrench  |  |

## COMPATIBILITY

|   |  |
|---|--|
| Front axle: 15x110 Boost, convertible to 20x110 Boost thru axle with adapters                               |  |
| Front axle: 15x110 Boost, convertible to 20x110 Boost thru axle with adapters                               |  |
| Rear axle adapters: 12x148 convertible to 9x141 (kit V2510801 sold separately)                              |  |
| Freewheel: Shimano HG9, XD or Micro Spline  |  |
| Freewheel: Shimano HG9, XD or Micro Spline  |  |
| Rear axle: 12x148 Boost thru axle   |  |
| Rear axle: 12x148 Boost thru axle   |  |
| INT 6-bolt disc version front wheel convertible to 20x110 Boost thru axle with optional adapters            |  |
| Front axle: convertible from 15mm thru axle to Quick Release with adapters (delivered with non-boost wheel) |  |
| Front axle: for fixing nuts only (included), M9x1 thread  |  |

## Specifications

### RIMS

- **Material** : Mxstal
- **Material** : Mxstal
- **Material** : Mxstal
- **Material** : S6000 Aluminum
- **Material** : S6000 Aluminum
- **Height** : 22 mm

SUP

SUP

- **Internal width** : 30 mm
- **Weight reduction** : ISM
- **Weight reduction** : ISM

E-Bike specific rim profile

E-Bike specific rim profile

- **Drilling** : Fore tapeless tubeless technology (front/rear 28 holes)

- **Tire** : UST Tubeless and tubetype
- **Tire** : UST Tubeless and tubetype

- **Internal width** : 30 mm

- **Internal width** : 30 mm

Disc brake specific profile

Asymmetrical rim design

- **ETRTO size 29"** : 622x30TC

Down Black Shield treatment (protects your rim against 15 impacts and scratches)

### WHEEL HUB

- **Body** : aluminum

Instant Drive 360

QRM Auto

- **Axles** : Front 15X110 Boost ; Rear 12X148 Boost

Hub available with 6-bolt or center lock (R) brake rotors

rotors

- **Disc standard** : 6 Bolts or Center Lock

- **Axle material** : aluminum

- **Rear body** : aluminum

- **Axles** : Front 15X110 (Boost) or 15x100 ; Rear 12X148 (Boost) or 12x142

- **Freewheel** : Shimano HG MTB / Shimano MS / Sram XD MTB

Sram XD MTB

- **Freewheel** : FTS-L steel

- **Axles** : Front 15X110 Boost ; Rear 12X148 Boost

24 teeth ratchet

Hub available with 6-bolt or center lock (R) brake rotors

rotors

Instant Drive 360

QRM Auto

QRM Auto

### VERSIONS

- **Disc standard** : 6 Bolts or Center Lock (R)

- **Disc standard** : 6 Bolts or Center Lock (R)

- **Hub width** : Boost only (front 110 ; rear 148)

### WHEEL WEIGHTS

960