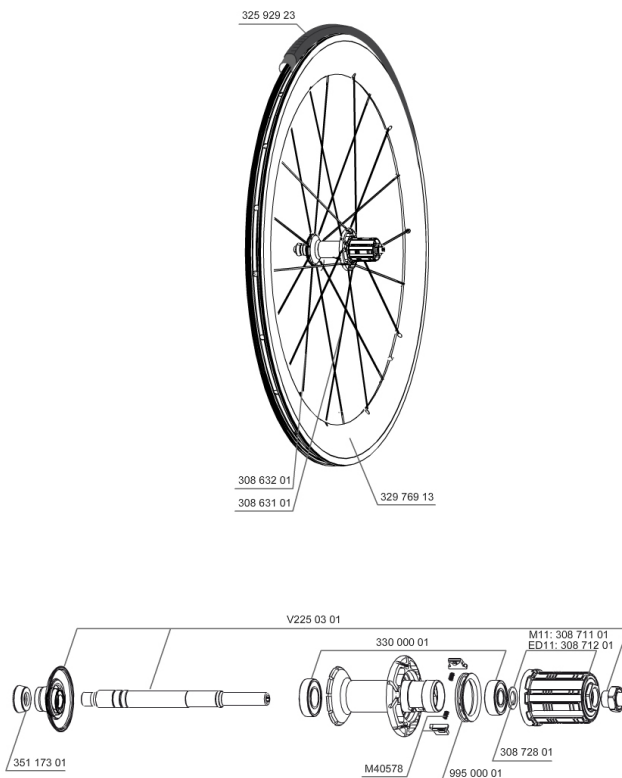


## REFERENCES WHEELS

327999 C CARBONE 80 013 TUB M10WTS 328000 C CARBONE 80 013 TUB ED11WTS



## RIMS



&NBSP;:

32976913 KIT REAR COSMIC CARBONE 80 2013 RIM

## SPOKES

30863101 KIT 10 DS CXR80/CC80 2013 BLACK SPOKE 232mm  
30863201 KIT 10 FT/NDS CXR80/CC80 2013 BLK SPK 235mm

## HUB SHELLS

V2250301 KIT REAR AXLE AERO HUB CXR/CC40/CC SLS/CC SLE/COSMIC PRO CAR  
33000001 REAR HUB B9+6901 BEARINGS 2013  
30871101 FTS-L ROAD FREEWHEEL BODY HG11 8/9 compatible  
30872801 SET OF 3 INTERNAL SILVER SPACERS 9mm FTS-L  
99500001 FTSL/FTSX FREEHUB BODY SEAL  
30871201 FTS-L ROAD FREEWHEEL BODY ED11 8/9 compatible  
M40578 FTSL PAWLS KIT (ROAD WHEELS)

## TYRES

32592923 YksionProSSCPowerLinkTub 23

## ADAPTERS

35117301 FT/RR FORK REST R-SYS/CC ULTIMATE > 2013/KSY PRO CARB T

**MAVIC** *Cosmic Carbone 80 T***DELIVERED WITH**

BR601 quick releases	
Wheelbags	
Carbon brake pads	
Valve extender	
Multifonction adjustment wrench	
User guide	

**Specifications****RIMS**

- **Material** : 100% woven 3K carbon fiber
- **Color** : carbon
- **Height** : 80 mm
- **Drilling** : traditional
- **Eyelet** : not eyeleted
- **Brake track** : carbon
- **Valve hole diameter** : 6.5 mm
- **Tyre** : tubular
- **ETRTO size** : 28" tubular
- **Recommended tyre sizes** : 19 to 28 mm

**SPOKES**

- **Material** : steel
- **Shape** : straight pull, bladed, double butted
- **Color** : black
- **Nipples** : ABS, aluminum, black
- **Count** : front 16, rear 20
- **Lacing** : radial front and rear non-drive side, crossed 2 rear drive side

**WHEEL HUB**

- **Front and rear bodies** : aluminum
- **Color** : black
- **Front and rear axle material** : aluminum QRM+ FTS-L steel

**WHEEL WEIGHTS**

Wheel weight 915