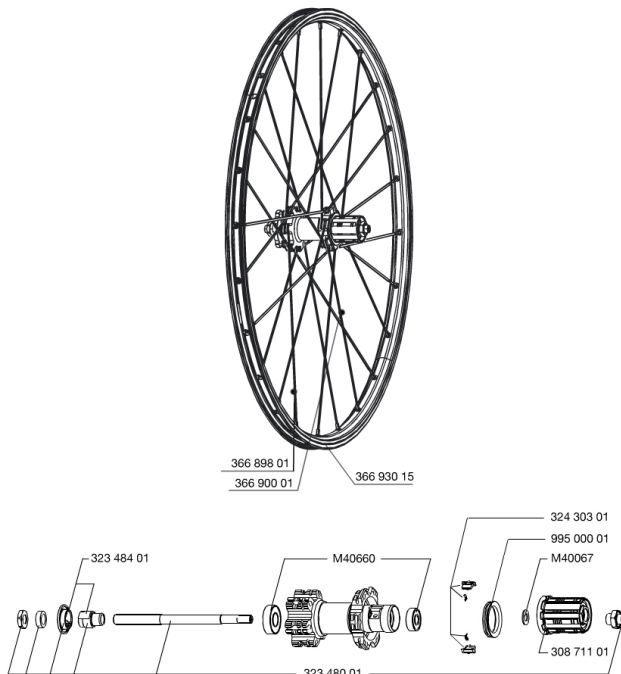


**REFERENCES WHEELS**

354035 CROSSONE 26 REAR



**RIMS**



&NBSP;:

<b>1</b>	36693015	"KIT FRONT/REAR CROSSONE 26"" RIM"
----------	----------	------------------------------------

**SPOKES**

<b>2</b>	36689801	KIT 12 FT/NDS CROSSONE SPK 264mm
<b>3</b>	36690001	KIT 12 DRIVE SIDE CROSSRONE/CROSSRIDE FT SX SPOKE 262mm

**HUB SHELLS**

<b>5</b>	M40660	REAR HUB 608+6001 BEARINGS
<b>6</b>	32348001	MTB DISC REAR AXLE QRM MTB DISC
<b>7</b>	32348401	EXPANSIBLE BEARINGS SUPPORT
<b>8</b>	32430301	FTSX PAWLS KIT (MTB WHEELS)
<b>9</b>	99500001	FTSL/FTSX FREEHUB BODY SEAL
<b>10</b>	M40067	INTERNAL FREEWHEEL SPACER FTSL/FTSX
<b>11</b>	30871101	FTS-L ROAD FREEWHEEL BODY HG11 8/9 compatible

**DELIVERED WITH**

BR101 quick releases	
Rim tape	
Valve reducer	
User guide	

**Specifications**
**RIMS**

- **Material** : 6106 Aluminum
  - **Joint** : pinned
  - **Drilling** : traditional
- Disc brake specific profile
- **Valve hole diameter** : 8,5 mm with pop off reducer
  - **Tyre** : tubetype
  - **Internal width** : 19 mm
  - **ETRTO size 26"** : 559x19C
  - **ETRTO size 650b/27.5"** : 584x19c
  - **ETRTO size 29"** : 622x19C
  - **Recommended tyre sizes** : 1.5 to 2.3

**SPOKES**

- **Material** : steel
- **Shape** : straight pull, round
- **Nipples** : brass, ABS
- **Count** : 24 front and rear
- **Lacing** : front and rear crossed 2

**WHEEL HUB**

- **Front and rear bodies** : aluminum
  - **Body** : aluminum
  - **Axle material** : steel
- Sealed cartridge bearings
- **Freewheel** : FTS-X steel

**WHEEL WEIGHTS**

Wheel weight  
 Weight Rear 26": 1035  
 Weight Rear 27.5": 1090  
 Weight Rear 29": 1135