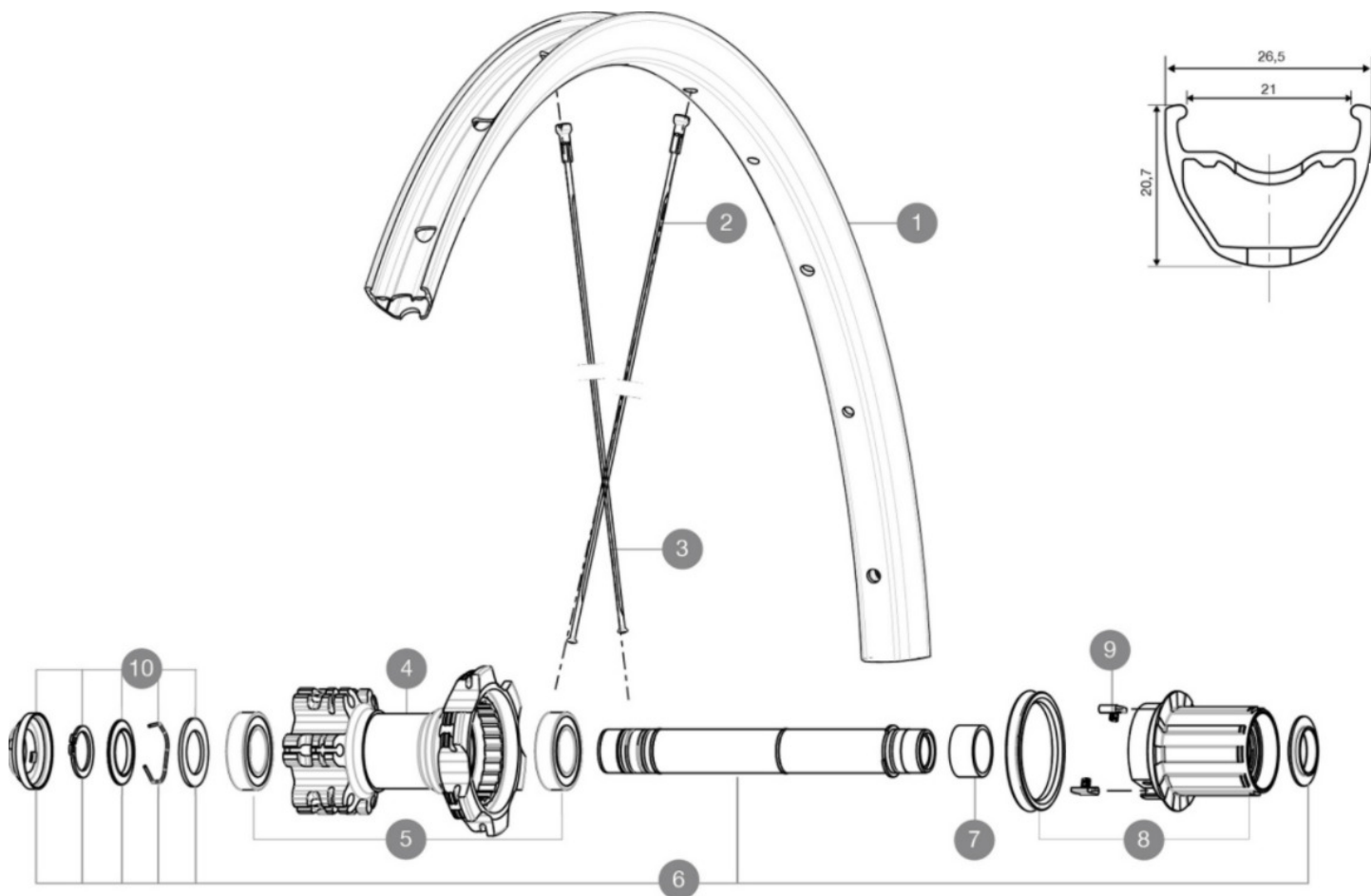


ASTM CATEGORY 3 : offroad with jumps less than 61cm  
Recommended weight limit : 120kg  
ETRTO recommended tyre sizes: 35mm to 69mm (1.4" to 2.7")

## REFERENCES WHEELS

R52501 Xride16Rr26



## RIMS



VALVE HOLE (MM): 8,5 WITH POP OFF REDUCER :

1	V2314715	"KIT FRT/RR RIM CROSSRIDE/CROSSRIDE FTSX 26""
---	----------	---

## SPOKES

2	V2382801	KIT 12 FT/NDS CROSSRIDE/FTSX 26" SPK 265mm
3	99687501	KIT 12 CROSSRIDE DISC STEEL BLK SPOKES 263mm



## HUB SHELLS

4	N/A	HUB BODY
5	M40076	HUB BEARINGS 17x30x7 6903 x 2
6	V2371201	KIT REAR QRM AXLE 135-142 / BOOST 148mm
7	35124501	SET OF 3 REAR AXLE/FREEWHEEL BODY SPACERS MTB L1
8	35126301	TS-2 FREEWHEEL BODY + SEAL 2013 (NO PAWLS) - while stock las
9	99610601	PAWLS KIT FOR ITS-4 (OR TS-2)
10	V2370401	KIT REAR AUTO ADJUSTING PLAY 12mm AXLE

# MAVIC Crossride 26

 2016  
 REAR

## DELIVERED WITH

BR101 quick releases	
Rim tape	
Front QR adapters	
BR101 quick releases	
BR101 quick releases	
Rear QR adapters	
Rear 12x142mm adapters	
Valve reducer	
User guide	
Front QR adapters	
Front QR adapters	
Rear 12x142mm adapters for ITS4 and TS2 (308 593 01 for ITS4, 329 650 01 for TS2) 1	
Rear 12x142mm adapters for ITS4 and TS2 (308 593 01 for ITS4, 329 650 01 for TS2) 1	
Valve reducer	
Valve reducer	
Rim tape	
Rim tape	
User guide	

## COMPATIBILITY

Freewheel: Shimano/Sram, convertible to XD with optional driver body	
Freewheel: Shimano/Sram, convertible to XD with optional driver body	
Front axle: convertible from 15mm thru axle to Quick Release with included adapters	
Front axle: convertible from 15mm thru axle to Quick Release with included adapters	
Rear axle: 12mm thru axle, convertible to Quick Release with optional adapters	
Rear axle: 12mm thru axle, convertible to Quick Release with optional adapters	