

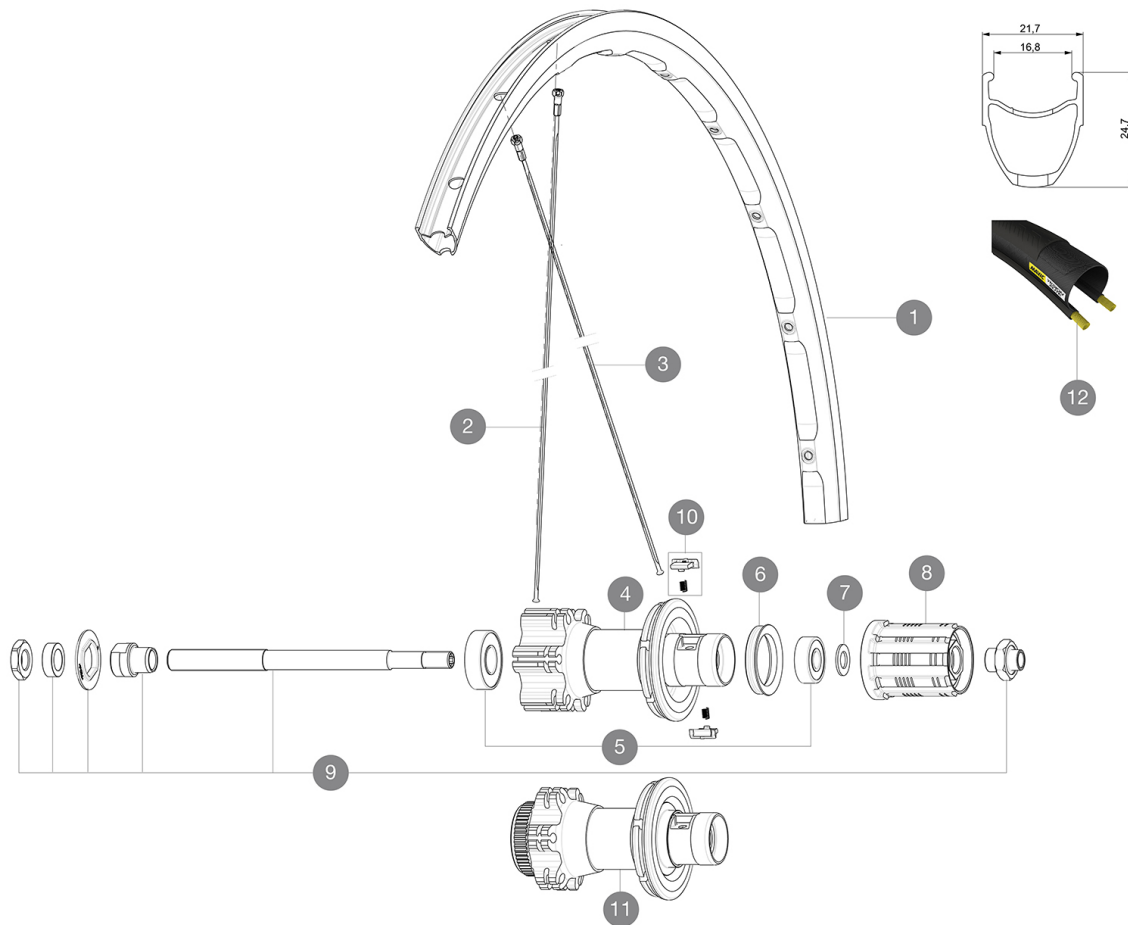
**MAVIC** *Ksyrium Disc*

ASTM CATEGORY 2 : road and offroad with jumps less than 15cm  
 Recommended weight limit : 120kg  
 Recommended tire sizes: 25 to 32 mm  
 Max. Pressure: 25mm 7.7 bars - 110 PSI

**REFERENCES WHEELS**

R93901 Ksyrium D6B 17 Rr QRx135

R94001 Ksyrium DCL 17 Rr QRx135

**RIMS**

&amp;NBSP;:

1	V2409315	KIT FRONT/REAR RIM KSYRIUM DISC 17C
---	----------	-------------------------------------

**SPOKES**

2	V2275501	KIT 12 FT KSYRIUM D/NDS KSY D 9 SPK 292mm
3	V2275601	KIT 12 DS KSYRIUM DISC 9mm SPK 289mm

**HUB SHELLS**


5	M40660	REAR HUB 608+6001 BEARINGS
6	99500001	FTSL/FTSX FREEHUB BODY SEAL
7	M40067	INTERNAL FREEWHEEL SPACER FTSL/FTSX
8	30871101	FTS-L ROAD FREEWHEEL BODY HG11 8/9 compatible
9	32348001	MTB DISC REAR AXLE QRM MTB DISC
10	32430301	FTSX PAWLS KIT (MTB WHEELS)
11	N/A	HUB BODY

**TYRES**

12	37805725	Yksion Elite
----	----------	--------------

# MAVIC Ksyrium Disc

## DELIVERED WITH

BR101 quick releases (M40350 firt, M40351 rear road, M40352 rear MTB) 1	
Rim tape	
User guide	

## COMPATIBILITY

Freewheel: Shimano/Sram, convertible to Campagnolo with optional driver body	
Front axle: Quick Release only	
Rear axle: Quick Release only	

## Specifications

### RIMS

- **Material** : S6000 Aluminum
- **Height** : 24 mm
- **Joint** : SUP
- **Drilling** : traditional with H2 reinforcement  
Disc brake specific profile
- **Weight reduction** : ISM
- **Valve hole diameter** : 6.5 mm
- **Tire** : clincher
- **Internal width** : 17 mm
- **ETRTO size** : 622x17C

### SPOKES

- **Material** : steel
- **Shape** : straight pull, bladed
- **Nipples** : steel, ABS
- **Count** : 24 front and rear
- **Lacing** : front and rear crossed 2

### WHEEL HUB

- **Front and rear bodies** : aluminum
- **Axle material** : steel  
Sealed cartridge bearings
- **Freewheel** : FTS-L steel

### VERSIONS

- **Color** : Black only
- **Disc standard** : 6 Bolts or Center Lock(R)

### WHEEL WEIGHTS

Wheel weight 1010