

MAVIC *Crossmax Elite Carbon*

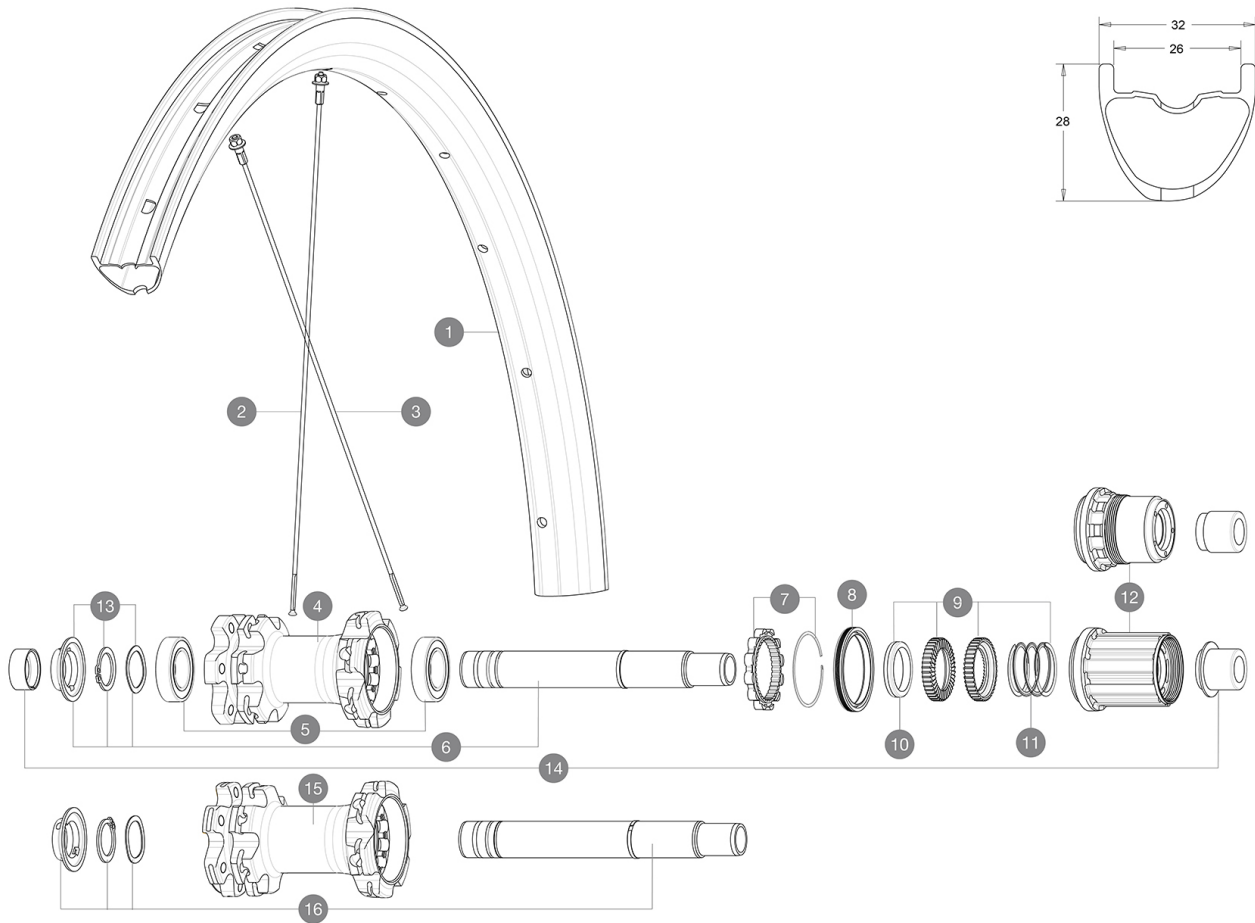
ASTM CATEGORY 3 : CROSS COUNTRY AND TRAIL RIDING

For a longer longevity of the wheel, Mavic recommends that the total weight supported by the wheels don't exceed 120kg, bike included

Recommended tyre sizes: 46mm to 64mm (1.8" to 2.5")

REFERENCES WHEELS

R24111	Xmax Elite Carb 27,5 Rr XD	R24131	XmaxEliteCarb27,5RrBstXD
R24121	Xmax Elite Carb 27,5 Rr Boost	R24091	Xmax Elite Carb 27,5 Rr

**RIMS**

&NBSP;:

1	V3761613	KIT REAR RIM CROSSMAX ELITE Carbon 27,5"
	V2700101	UST Tape 28mm for 25 to 27mm wide rims

SPOKES

2	V2387301	KIT 12 FRT/ND5 CROSSMAX ELITE CARBON 27,5" ROUND SPOKE 271m
3	V2387501	KIT 12 DS CROSSMAX ELITE CARBON 27,5" ROUND SPOKE 268mm + s

HUB SHELLS

4	N/A	HUB BODY
5	M40076	HUB BEARINGS 17x30x7 6903 x 2
6	V2372101	KIT ID360 135/142 D6T AXLE WITH CLIP
7	V2252701	KIT ID360 INSERT SHAPED EAR LOBE > 2017
8	V2251601	KIT ID360 SEAL + GREASE
9	V2375201	KIT ID360 24 TEETH 2 RATCHET + MTB SPRING + PAD (specific)
10	V2375401	KIT ID360 MTB 24T 3 NOISE REDUCING PADS
11	V2372901	KIT 3 ID360 MTB SPRINGS
12	V3780101	HG9 Alloy MTB Freewheel Body ID360
12	V3740101	XD MTB Freewheel Body ID360
13	V2373001	KIT ADJUST. SYSTEM QRM AUTO ID360 for 17x30x7 bearing
15	N/A	HUB BODY
16	V2372201	KIT ID360 148 D6T AXLE WITH CLIP

OPTIONS



V2372801	KIT ID360 2x40 TEETH RATCHETS + MTB SPRING + GREASE + PAD
----------	---

ADAPTERS

14	V2510701	ID360V2RrAxleAdapt12x142/148
	V2510801	ID360 V2 RrAxleAdapt9x135

MAVIC Crossmax Elite Carbon

DELIVERED WITH

Front QR adapters (non-boost wheel)	
Front QR adapters (non-boost wheel)	
Rear QR adapters (non-boost wheel)	
Rear QR adapters (non-boost wheel)	
UST valve and accessories (129 838 01)	
UST valve and accessories (129 838 01)	
Tubeless rim tape	
Tubeless rim tape	
Multifunction adjustment wrench (325 423 01)	
Multifunction adjustment wrench (325 423 01)	
User guide	
User guide	

COMPATIBILITY

Freewheel: Shimano/Sram or XD	
Freewheel: Shimano/Sram or XD	
Front axle: convertible from 15mm thru axle to Quick Release with adapters (delivered with non-boost wheel)	
Front axle: convertible from 15mm thru axle to Quick Release with adapters (delivered with non-boost wheel)	
Rear axle: 12mm thru axle, convertible to Quick Release with adapters (delivered with non-boost wheel)	
Rear axle: 12mm thru axle, convertible to Quick Release with adapters (delivered with non-boost wheel)	
Freewheel: Shimano Micro Spline	
Freewheel: Shimano Micro Spline	

Specifications

RIMS

- **Material** : 100% Unidirectional carbon fiber
- **Material** : 100% carbon fiber
- **Drilling** : traditional
- **Drilling** : traditional
- **Valve hole diameter** : 6.5 mm
- **Valve hole diameter** : 6.5 mm
- **Tyre** : UST Tubeless and tubetype
- **Tyre** : UST Tubeless and tubetype
- **Internal width** : 26 mm
- **Internal width** : 26 mm
- **ETRTO size 27.5"** : 584x26TSS
- **ETRTO size 27.5"** : 584x26TSS
- **ETRTO size 29"** : 622x26TSS
- **ETRTO size 29"** : 622x26TSS

Hookless profile

Hookless profile

Use with Mavic Tubeless Tape

Use with Mavic Tubeless Tape

SPOKES

- **Material** : steel
- **Material** : steel

• **Shape** : straight pull, round

• **Shape** : straight pull, round

• **Count** : 24 front and rear

WHEEL HUB

- **Front and rear bodies** : aluminum
- **Front and rear bodies** : aluminum
- **Axle material** : aluminum
- **Axle material** : aluminum

Auto adjust sealed cartridge bearings (QRM Auto), front and rear

Auto adjust sealed cartridge bearings (QRM Auto), front and rear

• **Freewheel** : Instant Drive 360

• **Freewheel** : Instant Drive 360

VERSIONS

- **Color** : Black only
- **Disc standard** : 6 Bolts only
- **Disc standard** : 6 Bolts only
- **Hub width** : Boost (front 110, rear 148) or Non-Boost (front 100, rear 135/142)
- **Hub width** : Boost (front 110, rear 148) or Non-Boost (front 100, rear 135/142)
- **Freewheel** : Shimano/Sram or XD
- **Freewheel** : Shimano/Sram or XD

WHEEL WEIGHTS

899