

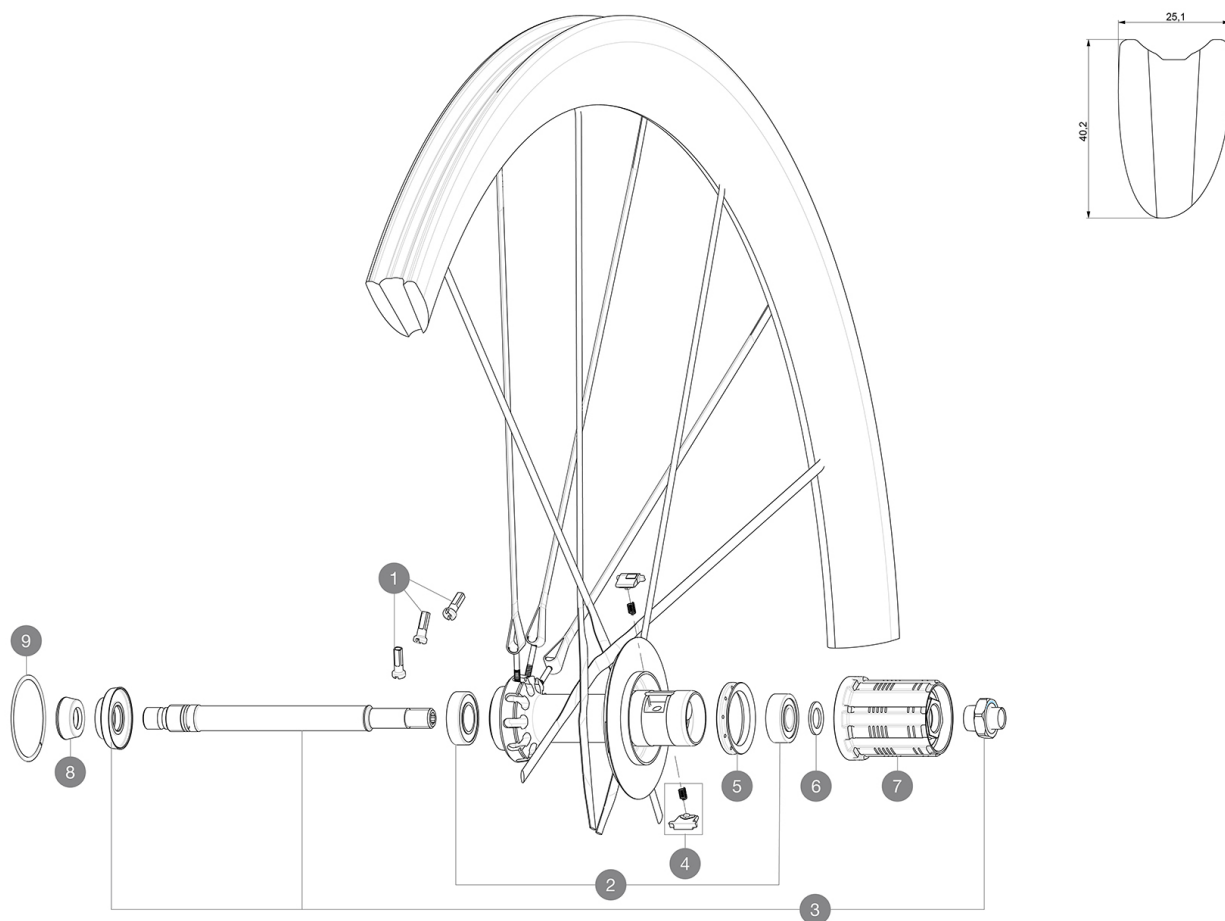
ASTM CATEGORY 1 : road only

For a longer longevity of the wheel, Mavic recommends that the total weight supported by the wheels don't exceed 120kg, bike included

Recommended tyre sizes: 23 to 32 mm

Max. Pressure: 23mm 8.7 bars - 125 psi, 25/28mm 7.7 bars - 110 psi

REFERENCES WHEELS



SPOKES

1 99603601 KIT 10 NIPPLES COSMIC CARBON ULTIMATE

HUB SHELLS

2 33000001 REAR HUB B9+6901 BEARINGS 2013
 3 V2250801 KIT REAR AXLE COSMIC ULTIMATE
 4 M40578 FTSL PAWLS KIT (ROAD WHEELS)
 5 99500001 FTSL/FTSX FREEHUB BODY SEAL
 6 30872801 SET OF 3 INTERNAL SILVER SPACERS 9mm FTS-L
 7 30871101 FTS-L ROAD FREEWHEEL BODY HG11 8/9 compatible
 7 30871201 FTS-L ROAD FREEWHEEL BODY ED11 8/9 compatible
 9 99604501 SET OF 2 R.HUB RING COS.CARB.ULTIMATE

ADAPTERS

8 35117301 FT/RR FORK REST R-SYS/CC ULTIMATE > 2013/KSY PRO CARB T

MAVIC *Cosmic Ultimate T TDF***DELIVERED WITH**

BR601 Titanium quick releases (323 485 01 frt, 323 486 01 rear)	
Carbon brake pads (V24 603 01 Shimano/Sram, V24 604 01 Campagnolo)	
Multifonction adjustment wrench (325 423 01)	
User guide	

COMPATIBILITY

Freewheel: Shimano/Sram, convertible to Campagnolo with optional driver body	
Front axle: Quick Release only	
Rear axle: Quick Release only	

Specifications**RIMS**

- **Material** : 3K carbon fibers
- **Height** : 40 mm
- **Drilling** : no holes, spokes molded to the rim
- **Brake track** : carbon with iTgMAX technology
- **Valve hole diameter** : 6.5 mm
- **Tyre** : tubular
- **ETRTO size** : 28" tubular

SPOKES

- **Material** : unidirectional carbon fiber
- **Shape** : R2R
- **Nipples** : steel, ABS
- **Count** : 20 front and rear
- **Lacing** : crossed 2 front and rear drive side, radial non drive side

WHEEL HUB

- **Front hub body** : Carbon
 - **Rear body** : aluminum
 - **Axle material** : aluminum
- Adjustable sealed cartridge bearings (QRM+)
- **Freewheel** : FTS-L steel

WHEEL WEIGHTS

695