

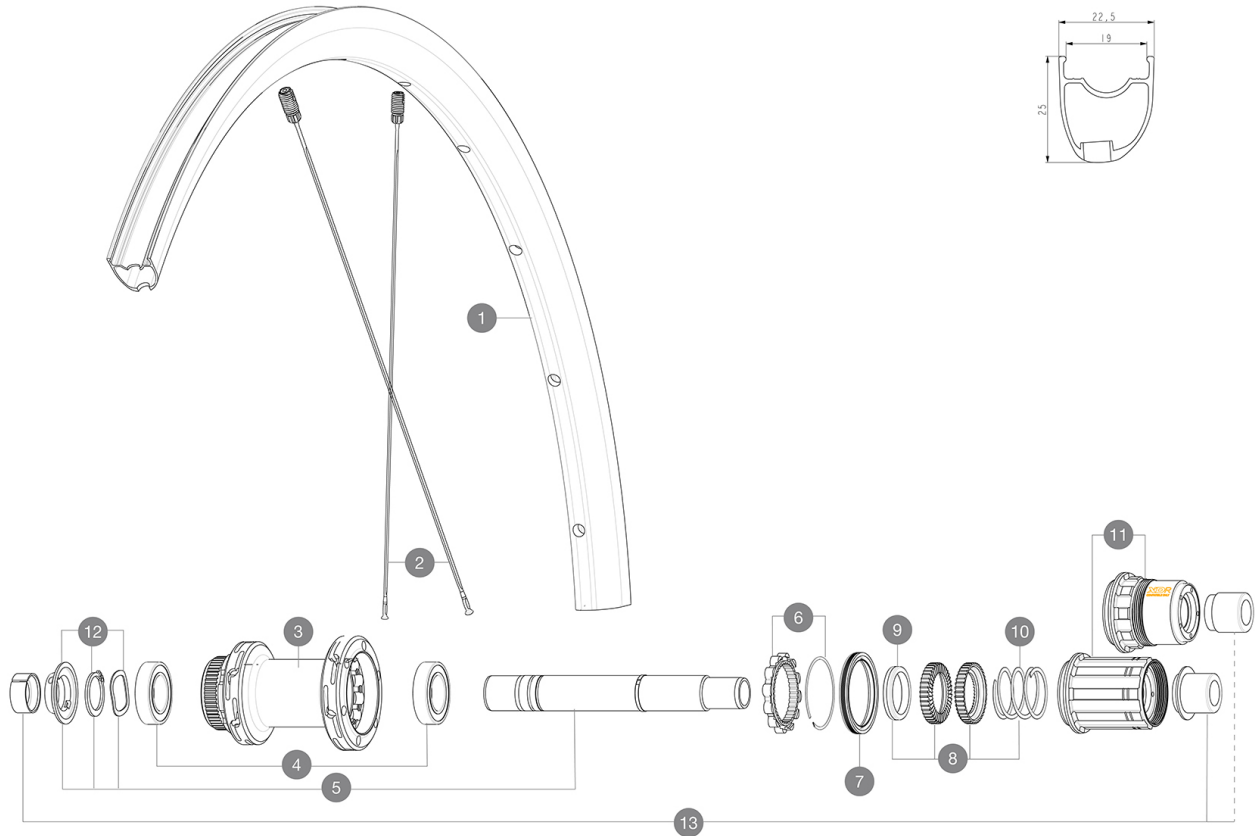
# MAVIC KSYRIUM S DISC

2021  
REAR

ASTM CATEGORY 2 : road and offroad with jumps less than 15cm  
 Maximum tyre pressure: 4.4bar/64PSI with a 28mm tyre - 2.6bar/38PSI with a 64mm tyre  
 Maximum tyre pressure: 6.75bar/97PSI with a 23mm tyre - 3.8bar/55PSI with a 62mm tyre  
 For a longer longevity of the wheel, Mavic recommends that the total weight supported by the wheels doesn't exceed 120kg, bike included  
 Recommended tyre sizes: 25 to 32 mm  
 Max. Pressure: see indication on wheel and tyre. If they differ, use the lowest of the 2  
 Maximum tyre size: width 62mm - pressure max. 3.8Bar/55PSI

## REFERENCES WHEELS

R36761 KSYRIUM S CL 700 12x142 M11 R39021 KSYRIUM S CL 700 12x142 XDR



## RIMS



&NBSP::

1 V4093313 Kit Rear rim Ksyrium S Disc

## SPOKES

2 V4163501 Kit 12 Front/Rear Ksyrium S Disc butted spoke 294mm M7/7

## HUB SHELLS

3	N/A	HUB BODY
4	M40076	HUB BEARINGS 17x30x7 6903 x 2
5	V2373401	KIT ID360 135/142 DCL L1 AXLE WITH CLIP
6	V2252701	KIT ID360 INSERT SHAPED EAR LOBE > 2017
7	V00063631	Kit ID360 seal version 2 (larger)
8	V2251701	KIT ID360 2 RATCHETS + SPRING + GREASE
9	V2500501	KIT ID360 3 PADS NOISE REDUCING
10	V2251801	KIT 3 ID360 ROAD SPRINGS
11	V2580101	FREEHUB BODY XD Road ID360
11	V3430101	HG11 Freewheel Body ID360
12	V2373001	KIT ADJUST. SYSTEM QRM AUTO ID360 for 17x30x7 bearing

## ADAPTERS

13	V2510701	ID360V2RrAxleAdapt12x142/148
	V2510901	ID360 EVO RrAxleAdpt12x135/150
	V2510801	ID360 V2 RrAxleAdapt9x135

# MAVIC KSYRIUM S DISC

## DELIVERED WITH

User guide	
Mavic tyre sealant (rear wheel) (355 466 01)	
Front QR adapters (996 941 01 for MTB or B41 043 01 for road)	
Front QR adapters (996 941 01 for MTB or B41 043 01 for road)	
Front QR adapters (996 941 01 for MTB or B41 043 01 for road)	
Rear QR adapters for Instant Drive 360 (B49 894 01)	
Rear QR adapters for Instant Drive 360 (B49 894 01)	
Rear QR adapters for Instant Drive 360 (B49 894 01)	
UST valve and accessories (129 838 01)	
UST valve and accessories (129 838 01)	
UST valve and accessories (129 838 01)	
Multifonction adjustment wrench (delivered with rear wheel) (325 423 01)	
User guide	
User guide	
User guide	
UST valve and accessories (129 838 01)	
Front QR adapters (996 941 01 for MTB or B41 043 01 for road)	
Rear QR adapters for Instant Drive 360 (B49 894 01)	

## COMPATIBILITY

Freewheel: Shimano/Sram, convertible to Campagnolo and XD-R with optional driver bodies	
Freewheel: Shimano/Sram, convertible to Campagnolo and XD-R with optional driver bodies	
Front axle: 12x100 thru axle, easily convertible to quick release with included adapters. Not compatible with 15mm through axles.	
Front axle: 12x100 thru axle, easily convertible to quick release with included adapters. Not compatible with 15mm through axles.	
Freewheel body: convertible SRAM XD road (kit V2580101 sold separately)	
Freewheel body: convertible SRAM XD road (kit V2580101 sold separately)	
Rear axle: 12mm thru axle, convertible to Quick Release with included adapters	
Rear axle: 12mm thru axle, convertible to Quick Release with included adapters	
Freewheel body: convertible SHIMANO HG light road (kit V3850101 sold separately)	
Freewheel body: convertible SHIMANO HG light road (kit V3850101 sold separately)	
Freewheel body: convertible SHIMANO MS (kit V3990101 sold separately)	
Freewheel body: convertible SHIMANO MS (kit V3990101 sold separately)	
Freewheel body: convertible CAMPAGNOLO ED (kit V3440101 sold separately)	
Freewheel body: convertible CAMPAGNOLO ED (kit V3440101 sold separately)	
Front axle: 12x100 thru axle, easily convertible to quick release with included adapters. Not compatible with 15mm through axles.	
Front axle: 12x100 thru axle, easily convertible to quick release with included adapters. Not compatible with 15mm through axles.	
ID360 Shimano Micro Spline alloy freewheel body (V3990101)	
ID360 Sram XD freewheel body (V3740101)	