

MAVIC CROSSMAX XL 29

2021
REAR

ASTM CATEGORY 4 : ENDURO AND TRAIL RIDING

For a longer longevity of the wheel, Mavic recommends that the total weight supported by the wheels doesn't exceed 150kg, bike included

Maximum tyre pressure: 2.95bar/43PSI with a 52mm tyre - 1.55bar/22PSI with a 125mm tyre

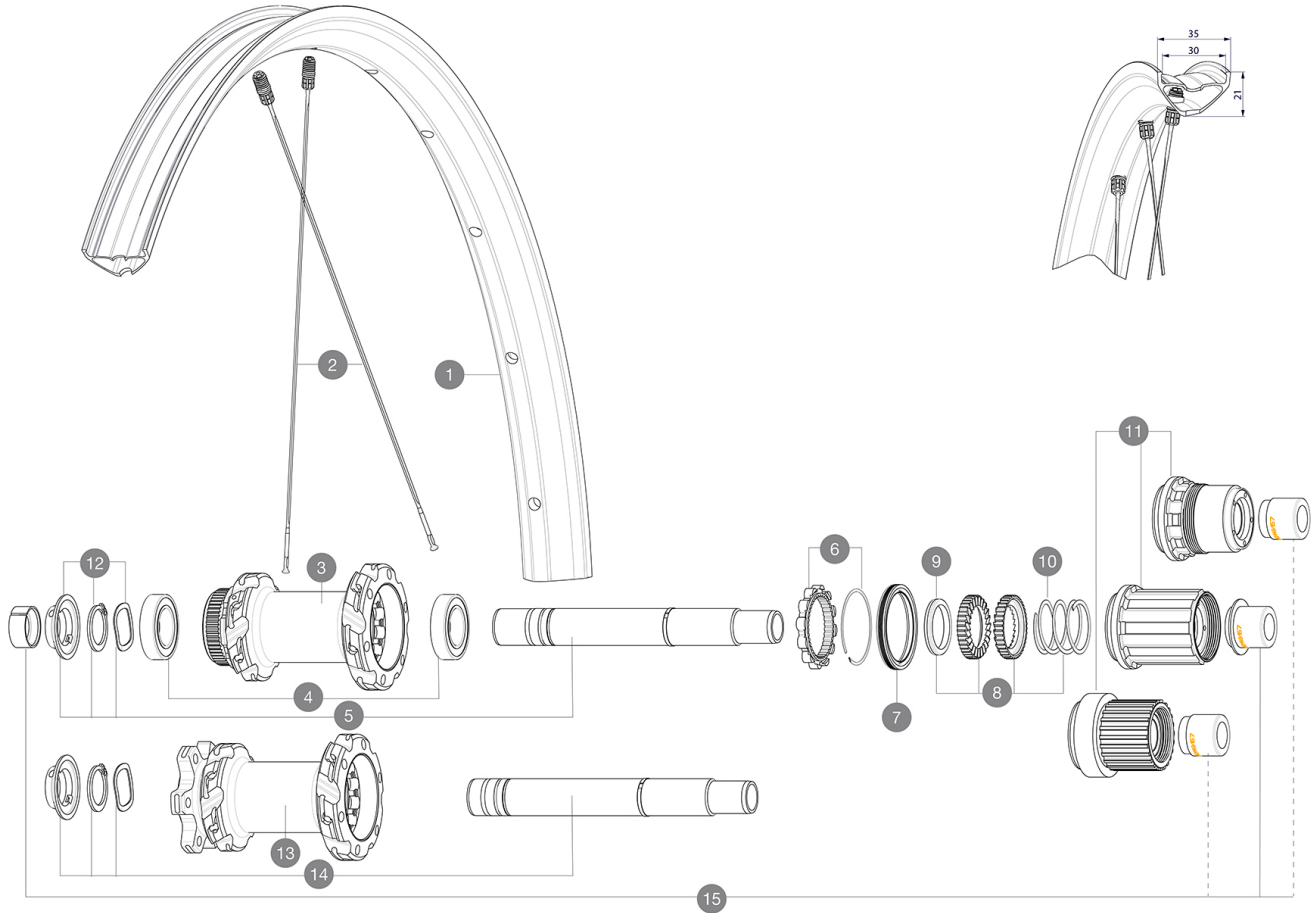
Minimum tyre size: width 52mm - pressure max. 2.95Bar/43PSI

Recommended tyre sizes: 60mm to 76mm (2.35" to 3.0")

Non-Boost : 12 to 9mm rear adapter for quick release (V2510801)

REFERENCES WHEELS

R37112	XMAX XL INT 29 BST HG	R39182	XMAX XL CL 29 BST MS
R37792	XMAX XL INT 29 BST XD		



RIMS



&NBSP::

1	V3766015	Kit Front/Rear rim Crossmax XL 29" MY21
---	----------	---

SPOKES

2	V2388301	Kit 12 Front/Rear Crossmax SL/SLS/XL/XLS 29" butted spoke 2
---	----------	---

HUB SHELLS

3	N/A	HUB BODY
4	M40076	HUB BEARINGS 17x30x7 6903 x 2
5	V2375701	Kit ID360 148 DCL axle with circlip
6	V2252701	KIT ID360 INSERT SHAPED EAR LOBE > 2017
7	V00063631	Kit ID360 seal version 2 (larger)
8	V2375201	KIT ID360 24 TEETH 2 RATCHET + MTB SPRING + PAD (specific)
9	V2375401	KIT ID360 MTB 24T 3 NOISE REDUCING PADS
10	V2372901	KIT 3 ID360 MTB SPRINGS
11	V3990101	MicroSpline MTB Freewheel Body ID360
11	V3780101	HG9 Alloy MTB Freewheel Body ID360
11	V3740101	XD MTB Freewheel Body ID360
12	V2373001	KIT ADJUST. SYSTEM QRM AUTO ID360 for 17x30x7 bearing
13	N/A	HUB BODY
14	V2372201	KIT ID360 148 D6T AXLE WITH CLIP

OPTIONS

V2372801	KIT ID360 2x40 TEETH RATCHETS + MTB SPRING + GREASE + PAD
----------	---

ADAPTERS

15	V2510701	ID360V2RrAxleAdapt12x142/148
	V2510801	ID360 V2 RrAxleAdapt9x135

DELIVERED WITH

User guide	
UST valve and accessories (129 838 01)	
UST valve and accessories (129 838 01)	
UST valve and accessories (129 838 01)	
Multifunction adjustment wrench (delivered with rear wheel) (325 423 01)	
Multifunction adjustment wrench (delivered with rear wheel) (325 423 01)	
Multifunction adjustment wrench (delivered with rear wheel) (325 423 01)	
User guide	
UST valve and accessories (129 838 01)	
2 replacement spokes with each wheel	
Multifunction adjustment wrench (delivered with rear wheel) (325 423 01)	
2 replacement spokes with each wheel	
2 replacement spokes with each wheel	
2 replacement spokes with each wheel	
Fore adjustment wrench	
Fore adjustment wrench	

COMPATIBILITY

Freewheel body: convertible SHIMANO HG MTB steel (kit V3790101 sold separately)	
Freewheel body: convertible SHIMANO HG MTB steel (kit V3790101 sold separately)	
Boost 20 to 15mm front adapter ([12982801])	
Front axle: for fixing nuts only (included), M9x1 thread	
Rear axle adapters: 12x148 convertible to 9x141 (kit V2510801 sold separately)	
Rear axle adapters: 12x148 convertible to 9x141 (kit V2510801 sold separately)	
Rear axle: 12x148 Boost thru axle	
Rear axle: 12x148 Boost thru axle	
Front axle: 15x110 Boost thru axle	
Front axle: 15x110 Boost thru axle	
Freewheel: Shimano HG9, XD or Micro Spline	
Freewheel: Shimano HG9, XD or Micro Spline	
Front axle: convertible from 15mm thru axle to Quick Release with adapters (delivered with non-boost wheel)	
Front axle: for fixing nuts only (included), M9x1 thread	

Specifications

RIMS

- Material : Mxtral
- Material : Mxtral
- Material : Mxtral
- Material : Mxtral
- Material : S6000 Aluminum

WHEEL HUB

- Body : aluminum
- Body : aluminum
- Infinity Hub
- Instant Drive 360
- Hub available with 6-bolt or center lock (R) brake

WHEEL WEIGHTS

1030