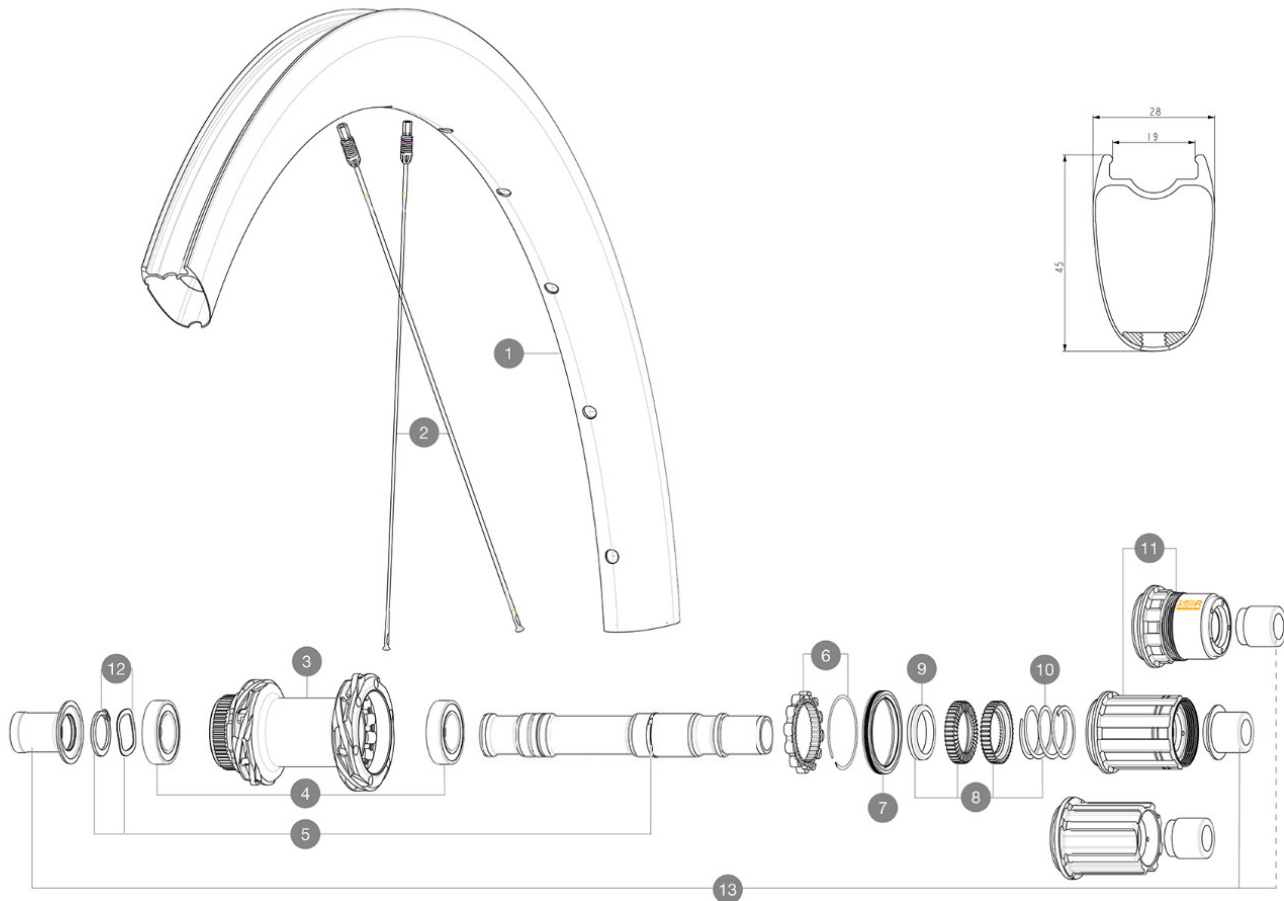


MAVIC **COSMIC SLR 45 DISC**

Maximum tyre pressure: 4.4bar/64PSI with a 28mm tyre - 2.6bar/38PSI with a 64mm tyre
 ASTM CATEGORY 2 : road and offroad with jumps less than 15cm
 Maximum tyre pressure: 6.75bar/97PSI with a 23mm tyre - 3.8bar/55PSI with a 62mm tyre
 For a longer longevity of the wheel, Mavic recommends that the total weight supported by the wheels doesn't exceed 120kg, bike included
 Recommended tire sizes: 25 to 32 mm
 Max. Pressure: see indication on wheel and tire. If they differ, use the lowest of the 2
 Maximum tyre size: width 62mm - pressure max. 3.8Bar/55PSI

REFERENCES WHEELS

R41291	COS SLR45 CL 700 12X142 M11	R42071	COS SLR45 CL 700 12X142 XDR
--------	-----------------------------	--------	-----------------------------

**RIMS**

&NBSP;:

1	V4095015	Kit Front/Rear rim Cosmic SLR 45 Disc MY22
---	----------	--

SPOKES

2	V4163701	Kit 12 Front/Rear Cosmic SLR 45 Disc aero stainless spoke 27
---	----------	--

HUB SHELLS

3	N/A	HUB BODY
3	N/A	HUB BODY
4	M40076	HUB BEARINGS 17x30x7 6903 x 2
5	V00046431	KIT AXE ID360 142LIGHT CL+CIR
6	V2252701	KIT ID360 INSERT SHAPED EAR LOBE > 2017
7	V00063631	Kit ID360 seal version 2 (larger)
8	V2251701	KIT ID360 2 RATCHETS + SPRING + GREASE
9	V2500501	KIT ID360 3 PADS NOISE REDUCING
10	V2251801	KIT 3 ID360 ROAD SPRINGS
11	V2580101	FREEHUB BODY XD Road ID360
11	V3440101	ED11 Freewheel Body ID360
11	V3430101	HG11 Freewheel Body ID360
12	V2373001	KIT ADJUST. SYSTEM QRM AUTO ID360 for 17x30x7 bearing

OPTIONS

V2373401	KIT ID360 135/142 DCL L1 AXLE WITH CLIP
----------	---

ADAPTERS

13	V3811001	KIT ROAD ID360 RR CL ENDCAP (12MM)
	V2510701	ID360V2RrAxleAdapt12x142/148
	V2510901	ID360 EVO RrAxleAdpt12x135/150
	V2510801	ID360 V2 RrAxleAdapt9x135

MAVIC **COSMIC SLR 45 DISC****DELIVERED WITH**

User guide	
Mavic tyre sealant (rear wheel) (355 466 01)	
UST valve and accessories (129 838 01)	
UST valve and accessories (129 838 01)	
User guide	
User guide	
UST valve and accessories (129 838 01)	
ID360 Campagnolo freewheel body (V3440101)	

COMPATIBILITY

Freewheel: Shimano/Sram, convertible to Campagnolo ED11, N3W and XD-R with optional driver bodies	
Rear axle: 12mm thru axle, convertible to Quick Release with optional adapters and axle replacement	
Front axle: 12x100 thru axle, easily convertible to quick release with optional adapters. Not compatible with 15mm through axles	
Freewheel body: convertible SRAM XD road (kit V2580101 sold separately)	
Freewheel body: convertible SRAM XD road (kit V2580101 sold separately)	
Freewheel body: convertible SHIMANO HG light road (kit V3850101 sold separately)	
Freewheel body: convertible SHIMANO HG light road (kit V3850101 sold separately)	
Freewheel body: convertible SHIMANO MS (kit V3990101 sold separately)	
Freewheel body: convertible SHIMANO MS (kit V3990101 sold separately)	
Freewheel body: convertible CAMPAGNOLO ED (kit V3440101 sold separately)	
Freewheel body: convertible CAMPAGNOLO ED (kit V3440101 sold separately)	
Freewheel body: convertible CAMPAGNOLO N3W (kit V4270101 sold separately)	
Freewheel body: convertible CAMPAGNOLO N3W (kit V4270101 sold separately)	
ID360 Shimano Micro Spline alloy freewheel body (V3990101)	
Rear axle: for fixing nuts only (included), M9x1 thread	
Rear axle adapters: 12x142 convertible to 9x135 (kit V2510801 sold separately) and by changing the axle (V2373401 also sold separately)	
FTS-L Shimano / Sram freewheel body ([30871101] - Delivered on the wheel)	
ID360 Sram XD freewheel body (V3740101)	