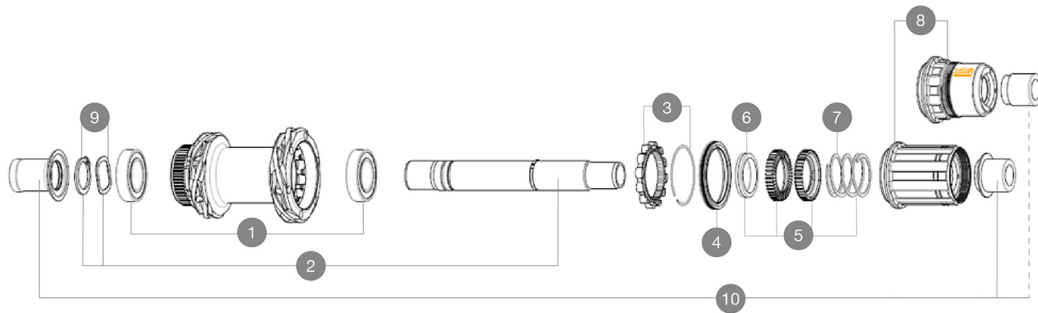


REFERENCES WHEELS

H44501 MR801INFSPRR CL 12X142 XDR 24H H44301 MR801INFSPRR CL 12X142 M11 24H



HUB SHELLS

| | | |
|---|----------|---|
| 1 | M40076 | HUB BEARINGS 17x30x7 6903 x 2 |
| 2 | V2373401 | KIT ID360 135/142 DCL L1 AXLE WITH CLIP |
| 3 | V2252701 | KIT ID360 INSERT SHAPED EAR LOBE > 2017 |
| 4 | V2251601 | KIT ID360 SEAL + GREASE |
| 5 | V2251701 | KIT ID360 2 RATCHETS + SPRING + GREASE |
| 6 | V2500501 | KIT ID360 3 PADS NOISE REDUCING |
| 7 | V2251801 | KIT 3 ID360 ROAD SPRINGS |
| 8 | V3430101 | HG11 Freewheel Body ID360 |
| 8 | V2580101 | FREEHUB BODY XD Road ID360 |
| 9 | V2373001 | KIT ADJUST. SYSTEM QRM AUTO ID360 for 17x30x7 bearing |

ADAPTERS

| | | |
|----|----------|------------------------------------|
| 10 | V3811001 | KIT ROAD ID360 RR CL ENDCAP (12MM) |
|----|----------|------------------------------------|

MAVIC **MR801 INFINITY SP DISC****COMPATIBILITY**

| | |
|--|--|
| Freewheel: Shimano/Sram, convertible to Campagnolo ED11, N3W and XD-R with optional driver bodies | |
| Front axle: 12mm thru axle, easily convertible to quick release with optional adapters. Convertible to 15mm with complete axle replacement | |
| Rear axle: 12mm thru axle, convertible to Quick Release with optional adapters and axle replacement | |
| Maximum spoke width: 2,4mm | |

Specifications**WHEEL HUB**

Infinity hubs

- **Front and rear bodies** : aluminum
- **Axle material** : aluminum

Instant Drive 360 freewheel technology

QRM Auto bearing preload technology

- **Front** : Quick release and 12x100 through axle compatible
- **Rear** : Quick Release, 12x142 and 12x135 compatible

VERSIONS

- **Disc standard** : Center Lock® only
- **Front for disc brake** : 24, 28 and 32 holes
- **Rear for disc brake** : 24, 28 and 32 holes

WHEEL WEIGHTS