

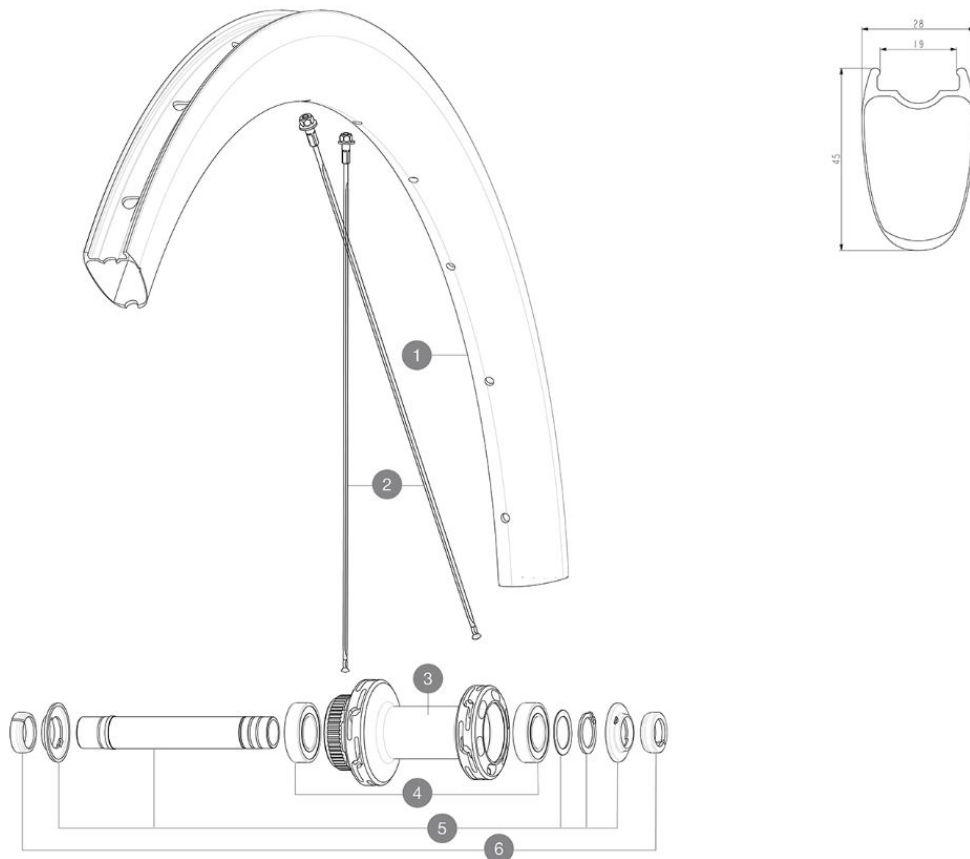
## RUEDAS REFERENCIAS

ASTM CATEGORY 2 : road and offroad with jumps less than 15cm

For a longer longevity of the wheel, Mavic recommends that the total weight supported by the wheels doesn't exceed 120kg, bike included

Recommended tire sizes: 25 to 32 mm

Max. Pressure: see indication on wheel and tire. If they differ, use the lowest of the 2



### RIMS



&NBSP;:

1	V00062931	Kit Front/Rear rim Cosmic SL45 Ltd
	V3720101	25mm UST Tape for 19 to 22mm Road Rims

### SPOKES

2	V4162901	Kit 12 Front/Rear Cosmic SL 45 Disc butted stainless spoke 2
---	----------	--------------------------------------------------------------

### HUB SHELLS

3	N/A	CUERPO DE BUJE
4	M40129	KIT 2 BEARINGS 6902 15x28x7
5	V2373301	KIT QRM AUTO FRONT AXLE 12mm > 2019

### ADAPTERS

6	V2680501	12mm Road Axle Cap QRM Auto
	V2680301	"Kit Ft Road Adapter 12 >> 9mm"

**ENTREGADO CON**

Front QR adapters	
Rear QR adapters for Instant Drive 360 (B49 894 01)	
UST valve and accessories (129 838 01)	
Pre-installed tubeless rim tape	
User guide	

**COMPATIBILITY**

Freewheel: Shimano/Sram, convertible to Campagnolo ED11, N3W and XD-R with optional driver bodies	
Front axle: 12x100 thru axle, easily convertible to quick release with included adapters. Not compatible with 15mm through axles.	
Rear axle: 12mm thru axle, convertible to Quick Release with included adapters	

**Specifications****LLANTAS**

- **Material** : 100% carbon fiber
  - **Height** : 45 mm
  - **Drilling** : traditional
- Disc brake specific profile
- **Tire** : UST Tubeless and tubetype
  - **Internal width** : 19 mm
  - **ETRTO size** : 622x19TC
- UST tubeless technology

**RADIOS**

- **Material** : steel
- **Shape** : straight pull, flat, double butted
- **Nipples** : brass, ABS
- **Count** : 24 front and rear
- **Lacing** : front and rear crossed 2, contactless

**BUJE DE LA RUEDA**

- **Front and rear bodies** : aluminum
  - **Axle material** : aluminum
  - **Front** : Quick release and 12x100 through axle compatible
  - **Rear** : Quick Release, 12x142 and 12x135 compatible
- Infinity hubs  
El buje está disponible solo para rotores de freno Center Lock  
Instant Drive 360 freewheel technology  
QRM Auto bearing preload technology

**VERSIONS**

- **Disc standard** : Center Lock® only
- **Freewheel** : Shimano/Sram

**PESOS DE RUEDAS**

730