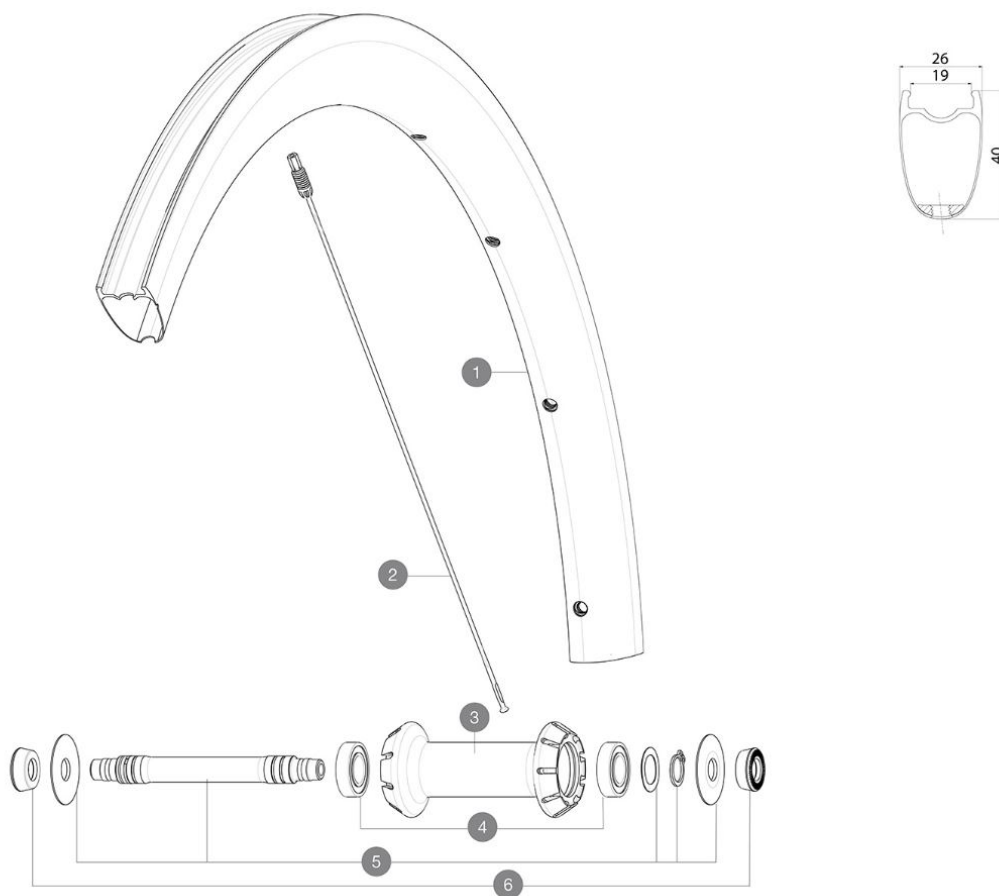


ASTM CATEGORY 1 : road only

RUEDAS REFERENCIAS



RIMS



&NBSP;:

1	V00063001	Kit Front rim Cosmic SLR40 Ltd
----------	-----------	--------------------------------

SPOKES

2	V3669501	Kit 9 Ft Cosmic SLR40 aero ss spk 277 M6
----------	----------	--

HUB SHELLS

3	N/A	CUERPO DE BUJE
4	M40078	FRONT HUB 6901 BEARINGS
5	V2375801	Kit front axle RB for QRM auto hub + hoobster + wave washer

ADAPTERS

6	35117301	FRONT OR REAR FORK REST KIT R-SYS 2013
----------	----------	--

MAVIC COSMIC SLR 40 LTD

ENTREGADO CON

BR301 quick releases (V24 501 01 frt, V24 502 01 rear)	
Carbon brake pads (V24 603 01 Shimano/Sram, V24 604 01 Campagnolo)	
UST valve and accessories (129 838 01)	
User guide	

COMPATIBILITY

Freewheel: Shimano/Sram, convertible to Campagnolo ED11, N3W and XD-R with optional driver bodies	
---	--

Specifications

LLANTAS

- **Material** : 100% carbon fiber
 - **Height** : 40 mm
 - **Valve hole diameter** : 6.5 mm
 - **Tire** : UST Tubeless and tubetype
 - **Internal width** : 19 mm
 - **ETRTO size** : 622x19TC
- Fore Carbon tapeless tubeless technology
UST Tubeless Ready

RADIOS

- **Material** : steel
 - **Shape** : straight pull, elliptical aero, double butted (patented)
 - **Nipples** : Fore integrated aluminum
 - **Count** : front 18, rear 24
 - **Lacing** : front radial, rear Isopulse
- Isopulse lacing design

BUJE DE LA RUEDA

- **Front and rear bodies** : aluminum
 - **Axle material** : aluminum
- Instant Drive 360 freewheel technology
QRM Auto bearing preload technology

VERSIONS

- **Freewheel** : Shimano/Sram

PESOS DE RUEDAS

640