

ASTM CATEGORY 2 : road and offroad with jumps less than 15cm

For a longer longevity of the wheel, Mavic recommends that the total weight supported by the wheels doesn't exceed 120kg, bike included

Tamaño mínimo del neumático: anchura 23 mm - presión máx. 6,75 Bar/97 PSI

Recommended tyre sizes: 25 to 32 mm

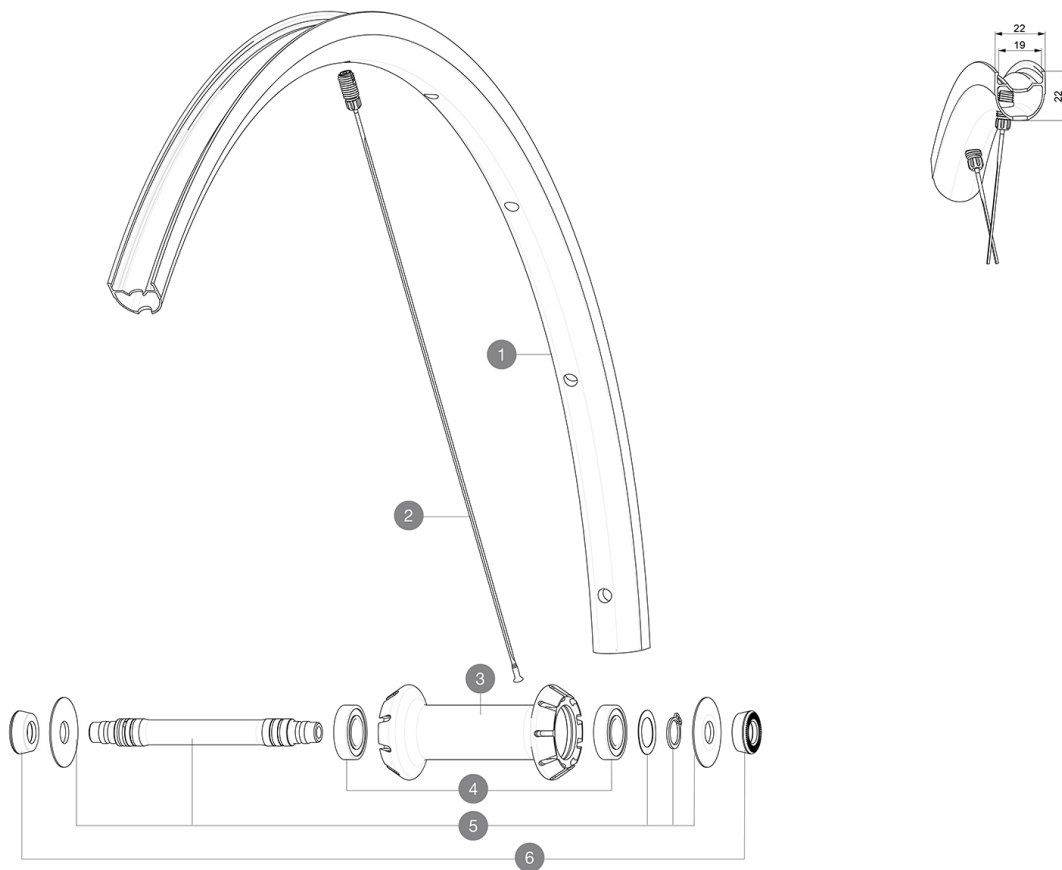
Max. Pressure: see indication on wheel and tyre. If they differ, use the lowest of the 2

Maximum tyre pressure: 6.75bar/97PSI with a 23mm tyre - 3.8bar/55PSI with a 62mm tyre

Tamaño máximo del neumático: anchura 62 mm - presión máx. 3,8 bares/55 psi

RUEDAS REFERENCIAS

F90191 KSYRIUM S RB 700 QR



RIMS



&NBSP::

1 V4093910 Kit Front rim Ksyrium S RB

SPOKES

2 V4164001 Kit 9 front Ksyrium S butted spoke 289mm M7/7

HUB SHELLS

3 N/A CUERPO DE BUJE
4 M40078 FRONT HUB 6901 BEARINGS
5 V2375801 Kit front axle RB for QRM auto hub + hoobster + wave washer

ADAPTERS

6 35117301 FRONT OR REAR FORK REST KIT R-SYS 2013

ENTREGADO CON

Mavic Tyre Sealant (rueda trasera) (355 466 01)	
BR101 quick releases (M40350 frt, M40351 rear road, M40352 rear MTB)	
BR101 quick releases (M40350 frt, M40351 rear road, M40352 rear MTB)	
BR101 quick releases (M40350 frt, M40351 rear road, M40352 rear MTB)	
BR101 quick releases (M40350 frt, M40351 rear road, M40352 rear MTB)	
UST valve and accessories (129 838 01)	
UST valve and accessories (129 838 01)	
UST valve and accessories (129 838 01)	
UST valve and accessories (129 838 01)	
Llave de ajuste multifunciÃ³n (325 423 01)	
Llave de ajuste multifunciÃ³n (325 423 01)	
User guide	
User guide	
User guide	
User guide	

COMPATIBILITY

Freewheel: Shimano/Sram, convertible to Campagnolo and XD-R with optional driver bodies	
Freewheel: Shimano/Sram, convertible to Campagnolo and XD-R with optional driver bodies	
Freewheel: Shimano/Sram, convertible to Campagnolo and XD-R with optional driver bodies	
Front axle: Quick Release only	
Front axle: Quick Release only	
Front axle: Quick Release only	
Rear axle: Quick Release only	
Rear axle: Quick Release only	
Rear axle: Quick Release only	
Cuerpo rueda libre: convertible SRAM XD carretera (kit V2580101 vendido por separado)	
Cuerpo rueda libre: convertible SHIMANO HG ligera carretera (kit V3850101 vendido por separado)	
Cuerpo rueda libre: convertible SHIMANO MS (kit V3990101 vendido por separado)	
Cuerpo rueda libre: convertible CAMPAGNOLO ED (kit V3440101 vendido por separado)	
Cuerpo rueda libre: convertible CAMPAGNOLO N3W (kit V4270101 vendido por separado)	
Front axle: convertible from 15mm thru axle to Quick Release with adapters (delivered with non-boost wheel)	
NÃºcleo de rueda libre Shimano/Sram FTS-L ((30871101))	

Specifications**LLANTAS**

- Material : Mxstal
- Height : 22 mm
- Brake track : UB Control
- Material : Mxstal
- Material : Mxstal

BUJE DE LA RUEDA

- Material del cuerpo : aluminio
- Front and rear bodies : aluminum
- Front and rear bodies : aluminum
- Front and rear bodies : aluminum
- Axle material : aluminum

PESOS DE RUEDAS

675