

MAVIC **COSMIC SL 65 DISC****RUEDAS REFERENCIAS**

F90311 COS SL 65 CL 700 12X100

ASTM CATEGORY 2 : road and offroad with jumps less than 15cm

For a longer longevity of the wheel, Mavic recommends that the total weight supported by the wheels doesn't exceed 120kg, bike included

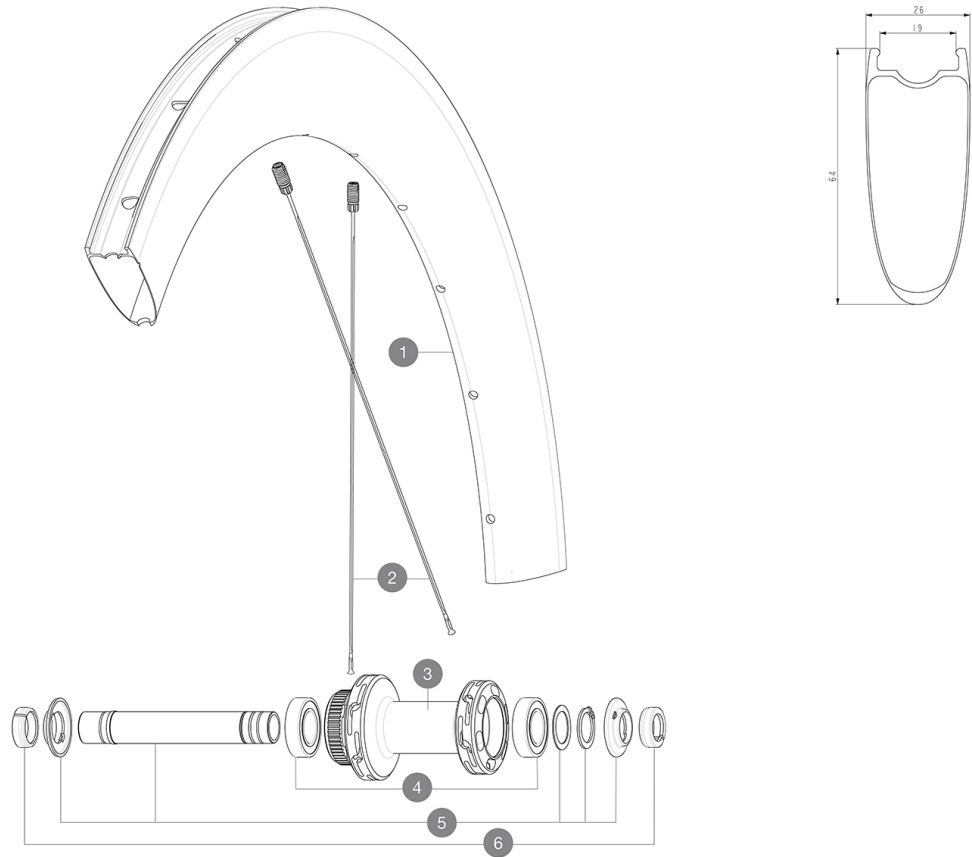
Tamaño mínimo del neumático: anchura 23 mm - presión máx. 6,75 Bar/97 PSI

Recommended tyre sizes: 25 to 32 mm

Max. Pressure: see indication on wheel and tyre. If they differ, use the lowest of the 2

Maximum tyre pressure: 6.75bar/97PSI with a 23mm tyre - 3.8bar/55PSI with a 62mm tyre

Tamaño máximo del neumático: anchura 62 mm - presión máx. 3,8 bares/55 psi

**RIMS**

&NBSP::

1	V4093115	Kit Front/Rear rim Cosmic SL 65 Disc while stock lasts
	V2620101	UST RIM TAPE 25mm (for 21-24mm wide rim)

SPOKES

2	V4163301	Kit 12 Front/Rear Cosmic SL 65 Disc butted stainless spoke 2
---	----------	--

HUB SHELLS

3	N/A	CUERPO DE BUJE
4	M40129	KIT 2 BEARINGS 6902 15x28x7
5	V2373301	KIT QRM AUTO FRONT AXLE 12mm > 2019

ADAPTERS

6	V2680501	12mm Road Axle Cap QRM Auto
	V2680301	"Kit Ft Road Adapter 12 >> 9mm"

MAVIC COSMIC SL 65 DISC

2021
FRONT

ENTREGADO CON

Mavic Tyre Sealant (rueda trasera) (355 466 01)	
Front QR adapters (996 941 01 for MTB or B41 043 01 for road)	
Front QR adapters (996 941 01 for MTB or B41 043 01 for road)	
Front QR adapters (996 941 01 for MTB or B41 043 01 for road)	
Front QR adapters (996 941 01 for MTB or B41 043 01 for road)	
Rear QR adapters for Instant Drive 360 (B49 894 01)	
Rear QR adapters for Instant Drive 360 (B49 894 01)	
Rear QR adapters for Instant Drive 360 (B49 894 01)	
Rear QR adapters for Instant Drive 360 (B49 894 01)	
Rear QR adapters for Instant Drive 360 (B49 894 01)	
UST valve and accessories (129 838 01)	
UST valve and accessories (129 838 01)	
UST valve and accessories (129 838 01)	
UST valve and accessories (129 838 01)	
Fondo de llanta Tubeless	
Fondo de llanta Tubeless	
Fondo de llanta Tubeless	
User guide	
User guide	

COMPATIBILITY

Freewheel: Shimano/Sram, convertible to Campagnolo and XD-R with optional driver bodies	
Freewheel: Shimano/Sram, convertible to Campagnolo and XD-R with optional driver bodies	
Freewheel: Shimano/Sram, convertible to Campagnolo and XD-R with optional driver bodies	
Front axle: 12x100 thru axle, easily convertible to quick release with included adapters. Not compatible with 15mm through axles.	
Front axle: 12x100 thru axle, easily convertible to quick release with included adapters. Not compatible with 15mm through axles.	
Front axle: 12x100 thru axle, easily convertible to quick release with included adapters. Not compatible with 15mm through axles.	
Cuerpo rueda libre: convertible SRAM XD carretera (kit V2580101 vendido por separado)	
Rear axle: 12mm thru axle, convertible to Quick Release with included adapters	
Rear axle: 12mm thru axle, convertible to Quick Release with included adapters	
Rear axle: 12mm thru axle, convertible to Quick Release with included adapters	
Cuerpo rueda libre: convertible SHIMANO HG ligera carretera (kit V3850101 vendido por separado)	
Cuerpo rueda libre: convertible SHIMANO MS (kit V3990101 vendido por separado)	
Cuerpo rueda libre: convertible CAMPAGNOLO ED (kit V3440101 vendido por separado)	
Front axle: 12x100 thru axle, easily convertible to quick release with included adapters. Not compatible with 15mm through axles.	
Instant Drive 360 The new Instant Drive 360 freewheel system is super light and fast to engage with only 9Å°. A large contactless rubber seal provides low friction, while a wide array of end caps makes it super versatile.	
NÃ°cleo de rueda libre Shimano/Sram FTS-L ((30871101))	
NÃ°cleo de rueda libre Sram XD IDÃ 360 ((V3740101))	
Eje trasero: solo para tuercas de fijaciÃ³n	