

MAVIC **COSMIC SL 45 DISC**

ASTM CATEGORY 2 : road and offroad with jumps less than 15cm

Tamaño máximo del neumático: anchura 23 mm - presión máx. 6,75 Bar/97 PSI

For a longer longevity of the wheel, Mavic recommends that the total weight supported by the wheels doesn't exceed 120kg, bike included

Recommended tyre sizes: 25 to 32 mm

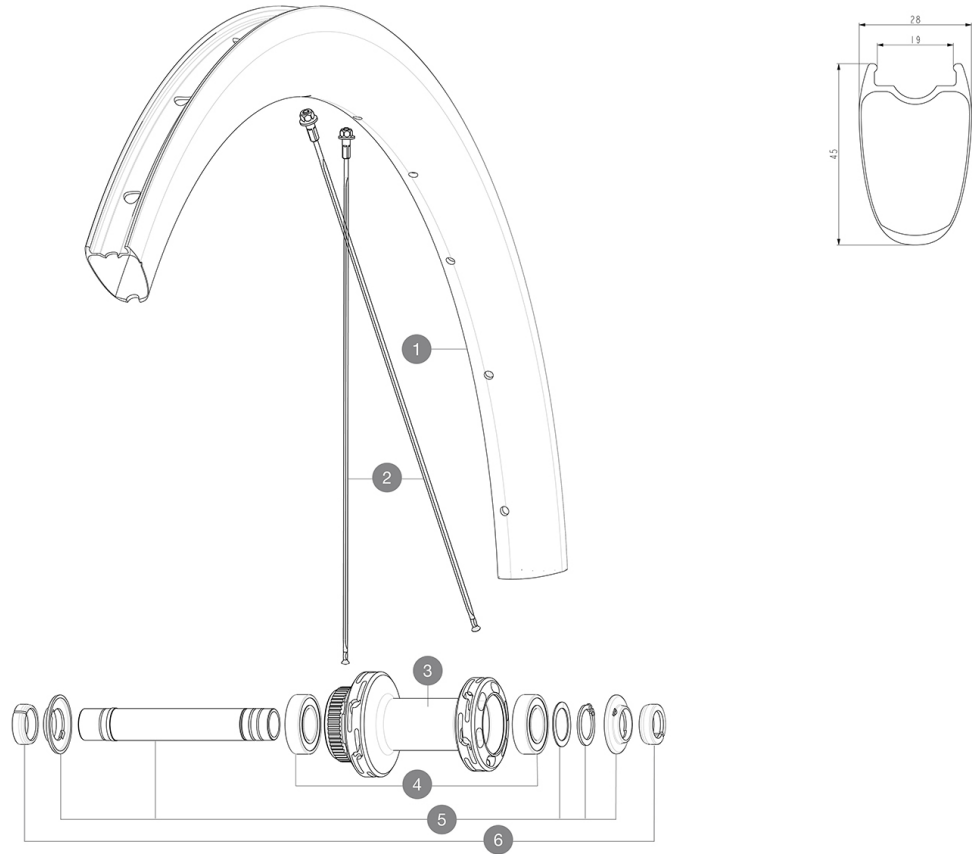
Max. Pressure: see indication on wheel and tyre. If they differ, use the lowest of the 2

Maximum tyre pressure: 6.75bar/97PSI with a 23mm tyre - 3.8bar/55PSI with a 62mm tyre

Tamaño máximo del neumático: anchura 62 mm - presión máx. 3,8 bares/55 psi

RUEDAS REFERENCIAS

F90291 COS SL 45 CL 700 12X100

**RIMS**

&NBSP::

1	V4092815	Kit Front/Rear rim Cosmic SL 45 Disc
	V3720101	25mm UST Tape for 19 to 22mm Road Rims

SPOKES

2	V4162901	Kit 12 Front/Rear Cosmic SL 45 Disc butted stainless spoke 2
---	----------	--

HUB SHELLS

3	N/A	CUERPO DE BUJE
4	M40129	KIT 2 BEARINGS 6902 15x28x7
5	V2373301	KIT QRM AUTO FRONT AXLE 12mm > 2019

ADAPTERS

6	V2680501	12mm Road Axle Cap QRM Auto
	V2680301	"Kit Ft Road Adapter 12 >> 9mm"

MAVIC COSMIC SL 45 DISC

2021
FRONT

ENTREGADO CON

User guide	
Mavic Tyre Sealant (rueda trasera) (355 466 01)	
Front QR adapters (996 941 01 for MTB or B41 043 01 for road)	
Front QR adapters (996 941 01 for MTB or B41 043 01 for road)	
Front QR adapters (996 941 01 for MTB or B41 043 01 for road)	
Front QR adapters (996 941 01 for MTB or B41 043 01 for road)	
Rear QR adapters for Instant Drive 360 (B49 894 01)	
Rear QR adapters for Instant Drive 360 (B49 894 01)	
Rear QR adapters for Instant Drive 360 (B49 894 01)	
Rear QR adapters for Instant Drive 360 (B49 894 01)	
UST valve and accessories (129 838 01)	
UST valve and accessories (129 838 01)	
UST valve and accessories (129 838 01)	
UST valve and accessories (129 838 01)	
Fondo de llanta Tubeless	
Fondo de llanta Tubeless	
Fondo de llanta Tubeless	
User guide	

COMPATIBILITY

Freewheel: Shimano/Sram, convertible to Campagnolo and XD-R with optional driver bodies	
Freewheel: Shimano/Sram, convertible to Campagnolo and XD-R with optional driver bodies	
Freewheel: Shimano/Sram, convertible to Campagnolo and XD-R with optional driver bodies	
Front axle: 12x100 thru axle, easily convertible to quick release with included adapters. Not compatible with 15mm through axles.	
Front axle: 12x100 thru axle, easily convertible to quick release with included adapters. Not compatible with 15mm through axles.	
Front axle: 12x100 thru axle, easily convertible to quick release with included adapters. Not compatible with 15mm through axles.	
Cuerpo rueda libre: convertible SRAM XD carretera (kit V2580101 vendido por separado)	
Cuerpo rueda libre: convertible SRAM XD carretera (kit V2580101 vendido por separado)	
Rear axle: 12mm thru axle, convertible to Quick Release with included adapters	
Rear axle: 12mm thru axle, convertible to Quick Release with included adapters	
Rear axle: 12mm thru axle, convertible to Quick Release with included adapters	
Cuerpo rueda libre: convertible SHIMANO HG ligera carretera (kit V3850101 vendido por separado)	
Cuerpo rueda libre: convertible SHIMANO HG ligera carretera (kit V3850101 vendido por separado)	
Cuerpo rueda libre: convertible SHIMANO MS (kit V3990101 vendido por separado)	
Cuerpo rueda libre: convertible SHIMANO MS (kit V3990101 vendido por separado)	
Cuerpo rueda libre: convertible CAMPAGNOLO ED (kit V3440101 vendido por separado)	
Cuerpo rueda libre: convertible CAMPAGNOLO ED (kit V3440101 vendido por separado)	
Front axle: 12x100 thru axle, easily convertible to quick release with included adapters. Not compatible with 15mm through axles.	