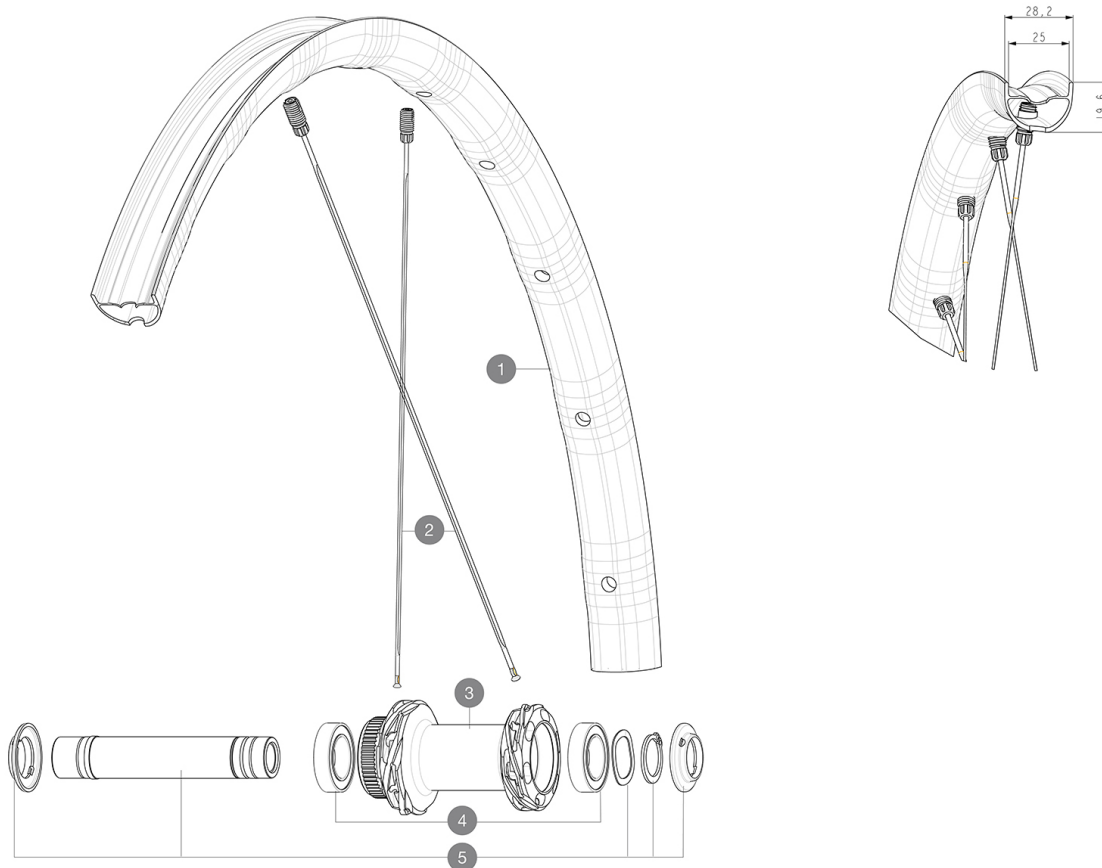


ASTM CATEGORY 2 : road and offroad with jumps less than 15cm  
 For a longer longevity of the wheel, Mavic recommends that the total weight supported by the wheels doesn't exceed 120kg, bike included  
 Recommended tyre sizes: 28 to 64 mm (1.1" to 2.5")  
 Max. Pressure: see indication on wheel and tyre. If they differ, use the lowest of the 2  
 Maximum tyre pressure: 4.1bar/59PSI with a 28mm tyre - 2.45bar/36PSI with a 64mm tyre

## RUEDAS REFERENCIAS

F90371 ALLSLRD+ CL 650B 12X100



### RIMS



&NBSP;;

1	V4093515	Kit Front/Rear rim Allroad SL Road+
---	----------	-------------------------------------

### SPOKES

2	V4163601	Kit 12 Front/Rear Allroad SL Road+ spoke 279 M7/7
---	----------	---

### HUB SHELLS

3	N/A	CUERPO DE BUJE
4	V2500901	KIT BEARINGS 18x30x7 + WAVED WASHER + CLIP
5	V2374001	KIT 12x100mm FRONT AXLE DCL QRM AUTO ALLROAD > 2019

### OPTIONS

V2373501	QRM Auto front axle 15mm for DCL Allroad wheels > 2019
----------	--

### ADAPTERS

V2680301	"Kit Ft Road Adapter 12 >> 9mm"
----------	---------------------------------

**ENTREGADO CON**

UST valve and accessories (129 838 01)	
UST valve and accessories (129 838 01)	
UST valve and accessories (129 838 01)	
UST valve and accessories (129 838 01)	
Llave de ajuste multifunciÃ³n (325 423 01)	
Llave de ajuste multifunciÃ³n (325 423 01)	
User guide	
User guide	
User guide	
User guide	

**COMPATIBILITY**

Freewheel: Shimano/Sram, convertible to Campagnolo and XD-R with optional driver bodies	
Freewheel: Shimano/Sram, convertible to Campagnolo and XD-R with optional driver bodies	
Freewheel: Shimano/Sram, convertible to Campagnolo and XD-R with optional driver bodies	
Eje delantero: eje pasante de 12Å mm, fÃ¡cilmente convertible a cierre rÃ¡pido con los adaptadores opcionales. Convertible a 15Å mm mediante sustituci	
Eje delantero: eje pasante de 12x100, fÃ¡cilmente convertible a cierre rÃ¡pido con los adaptadores incluidos. No es compatible con ejes pasantes de 15	
Eje delantero: eje pasante de 12x100, fÃ¡cilmente convertible a cierre rÃ¡pido con los adaptadores incluidos. No es compatible con ejes pasantes de 15	
Rear axle: 12mm thru axle, convertible to Quick Release with optional adapters	
Rear axle: 12mm thru axle, convertible to Quick Release with optional adapters	
Rear axle: 12mm thru axle, convertible to Quick Release with optional adapters	
Cuerpo rueda libre: convertible SRAM XD carretera (kit V2580101 vendido por separado)	
Cuerpo rueda libre: convertible SHIMANO HG ligera carretera (kit V3850101 vendido por separado)	
Cuerpo rueda libre: convertible SHIMANO MS (kit V3990101 vendido por separado)	
Eje delantero: eje pasante de 12x100, fÃ¡cilmente convertible a cierre rÃ¡pido con los adaptadores incluidos. No es compatible con ejes pasantes de 15	
Cuerpo rueda libre: convertible CAMPAGNOLO N3W (kit V4270101 vendido por separado)	
NÃ¡cleo de rueda libre de aleaciÃ³n Shimano MicroÅ Spline IDÅ 360 (V3990101)	
Front axle: convertible from 15mm thru axle to Quick Release with adapters (delivered with non-boost wheel)	
NÃ¡cleo de rueda libre Sram XD IDÅ 360 (V3740101)	