

ASTM CATEGORY 4 : ENDURO AND TRAIL RIDING

For a longer longevity of the wheel, Mavic recommends that the total weight supported by the wheels doesn't exceed 150kg, bike included

Recommended tyre sizes: 60mm to 76mm (2.35" to 3.0")

Maximum tyre pressure: 2.95bar/43PSI with a 52mm tyre - 1.55bar/22PSI with a 125mm tyre

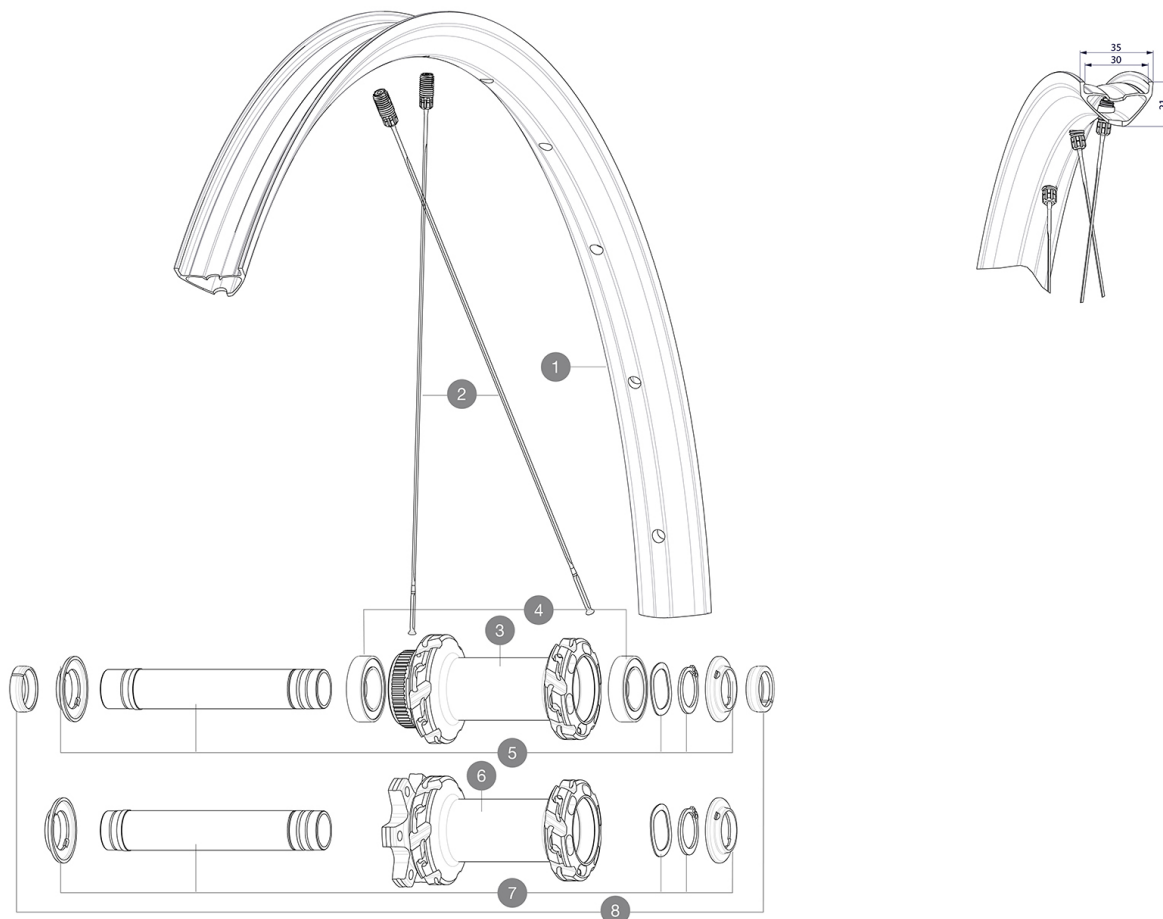
Tamaño máximo del neumático: anchura 52 mm - presión máxima: 2,95 bar/43 psi

No Boost: Adaptador trasero 12 a 9 mm para cierre rápido (V2510801)

RUEDAS REFERENCIAS

F90512 XMAX XL INT 29 BST

F91982 XMAX XL CL 29 BST



RIMS



&NBSP;:

1	V3766015	Kit Front/Rear rim Crossmax XL 29" MY21
---	----------	---

SPOKES

2	V2388301	Kit 12 Front/Rear Crossmax SL/SLS/XL/XLS 29" butted spoke 2
---	----------	---

HUB SHELLS

3	N/A	CUERPO DE BUJE
4	V2500901	KIT BEARINGS 18x30x7 + WAVED WASHER + CLIP
5	V2375601	Kit 110mm axle QRM auto MTB from 2019 DCL
6	N/A	CUERPO DE BUJE
7	V2372401	KIT 110mm AXLE QRM AUTO MTB > 2019

OPTIONS

V2374401	TORQUE CAPS 15*31 Adapter MTB QRM Auto > 2019 Frt HUB
----------	---

ADAPTERS

8	V2372501	15mm MTB Axle Cap QRM Auto From 2019
	99694101	2 REDUCERS 15/9mm

ENTREGADO CON

Guía del usuario	
2 replacement spokes with each wheel	
UST valve and accessories (129 838 01)	
UST valve and accessories (129 838 01)	
UST valve and accessories (129 838 01)	
UST valve and accessories (129 838 01)	
Multifunction adjustment wrench (delivered with rear wheel) (325 423 01)	
Multifunction adjustment wrench (delivered with rear wheel) (325 423 01)	
Multifunction adjustment wrench (delivered with rear wheel) (325 423 01)	
Multifunction adjustment wrench (delivered with rear wheel) (325 423 01)	
Guía del usuario	
UST valve and accessories (129 838 01)	
2 replacement spokes with each wheel	
Multifunction adjustment wrench (delivered with rear wheel) (325 423 01)	
2 replacement spokes with each wheel	
2 replacement spokes with each wheel	
2 replacement spokes with each wheel	
Fore adjustment wrench	

COMPATIBILITY

Freewheel: Shimano HG9, XD or Micro Spline	
Front axle: 15x110 Boost thru axle	
Rear axle: 12x148 Boost thru axle	
Cuerpo de rueda libre: convertible SHIMANO HG MTB acero (kit V3790101 vendido por separado)	
Cuerpo de rueda libre: convertible SHIMANO HG MTB acero (kit V3790101 vendido por separado)	
Adaptador delantero de 20 a 15 mm Boost ([12982801])	
Eje delantero: solo para tuercas de fijación (incluidas), rosca M9x1	
Adaptadores eje trasero: 12x148 convertible a 9x141 (kit V2510801 vendido por separado)	
Adaptadores eje trasero: 12x148 convertible a 9x141 (kit V2510801 vendido por separado)	
Rear axle: 12x148 Boost thru axle	
Front axle: 15x110 Boost thru axle	
Front axle: 15x110 Boost thru axle	
Freewheel: Shimano HG9, XD or Micro Spline	
Freewheel: Shimano HG9, XD or Micro Spline	
Rear axle: 12x148 Boost thru axle	
Front axle: convertible from 15mm thru axle to Quick Release with adapters (delivered with non-boost wheel)	
Eje delantero: solo para tuercas de fijación (incluidas), rosca M9x1	