

MAVIC ALLROAD S DISC

2021
REAR

ASTM CATEGORY 2 : road and offroad with jumps less than 15cm

For a longer longevity of the wheel, Mavic recommends that the total weight supported by the wheels doesn't exceed 120kg, bike included

Recommended tyre sizes: 28 to 64 mm (1.1" to 2.5")

Max. Pressure: see indication on wheel and tyre. If they differ, use the lowest of the 2

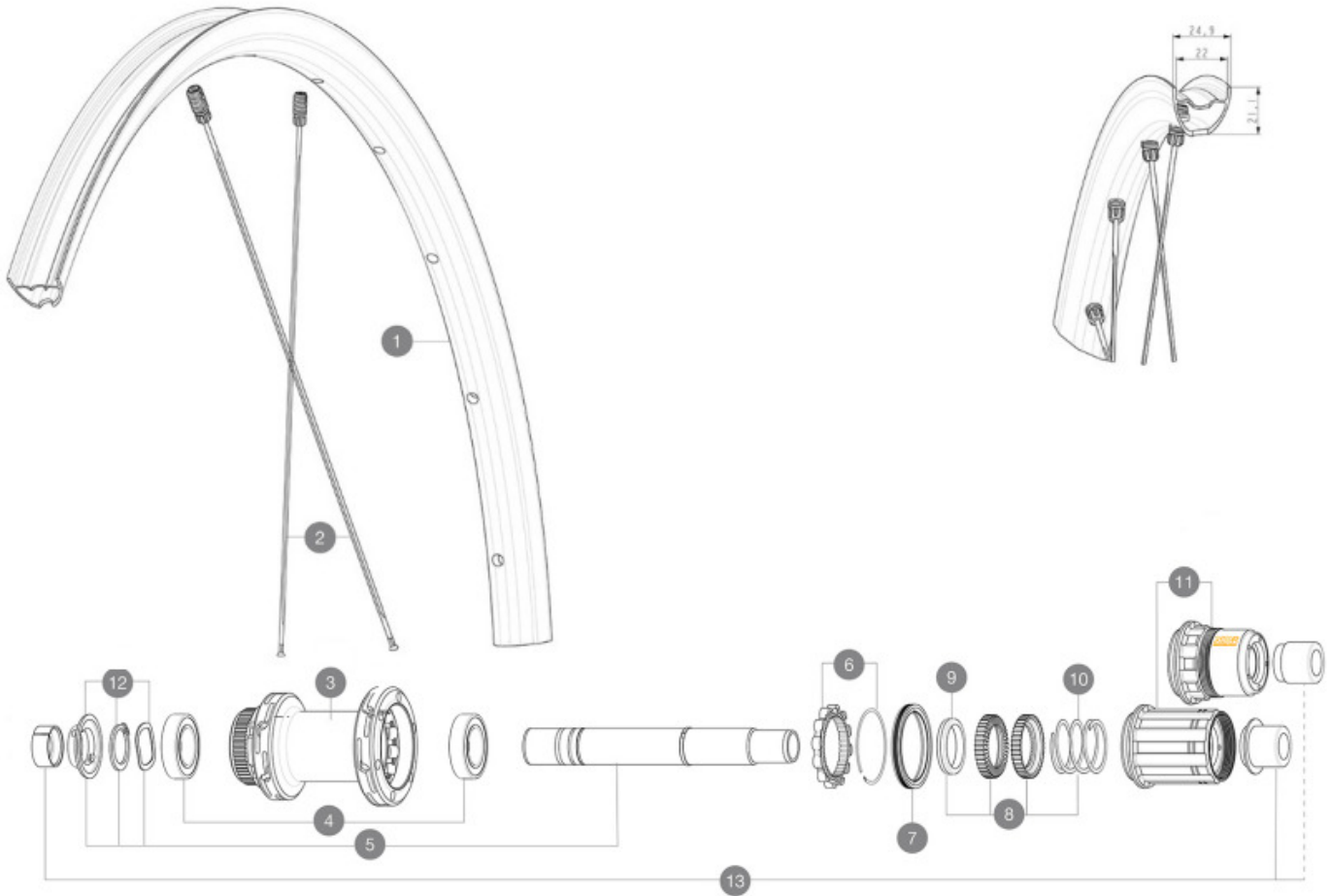
Maximum tyre pressure: 4.6bar/67PSI with a 28mm tyre - 32.7bar/39PSI with a 64mm tyre

RUEDAS REFERENCIAS

R36751 ALLROAD S CL 700 12X142 M11

R38891

ALLROAD S CL 700 12X142 XDR



RIMS



&NBSP::

- | | | |
|---|-----------|--|
| 1 | V4092115 | Kit Front/Rear rim Allroad S while stock lasts |
| 1 | V00097531 | Kit Front/Rear rim Allroad S 23 |

SPOKES

- | | | |
|---|----------|---|
| 2 | V4162601 | Kit 12 Front/Rear Allroad S flat spoke 298 M7/7 |
|---|----------|---|

HUB SHELLS

- | | | |
|----|-----------|---|
| 3 | N/A | CUERPO DE BUJE |
| 3 | N/A | CUERPO DE BUJE |
| 4 | M40076 | HUB BEARINGS 17x30x7 6903 x 2 |
| 5 | V2373401 | KIT ID360 135/142 DCL L1 AXLE WITH CLIP |
| 6 | V2252701 | KIT ID360 INSERT SHAPED EAR LOBE > 2017 |
| 7 | V00063631 | Kit ID360 seal version 2 (larger) |
| 8 | V2251701 | ID360 2 RATCHETS + SPRING + GREASE |
| 9 | V2500501 | Kit 3 ID360 pad for noise reduction |
| 10 | V2251801 | KIT 3 ID360 ROAD SPRINGS |
| 11 | V2580101 | FREEHUB BODY XD Road ID360 |
| 11 | V3430101 | HG11 Freewheel Body ID360 |
| 12 | V2373001 | KIT ADJUST. SYSTEM QRM AUTO ID360 for 17x30x7 bearing |

OPTIONS

- | | |
|----------|---|
| V2510801 | ID360 EVO REAR AXLE ADAPTERS 9x135mm DCL & D6T |
| V2510901 | ID360 EVO REAR AXLE ADAPTERS 12x135mm DCL & D6T |

ADAPTERS

- | | | |
|----|----------|------------------------------------|
| 13 | V3811001 | KIT ROAD ID360 RR CL ENDCAP (12MM) |
|----|----------|------------------------------------|

MAVIC ALLROAD S DISC

ENTREGADO CON

UST valve and accessories (129 838 01)	
UST valve and accessories (129 838 01)	
UST valve and accessories (129 838 01)	
Llave de ajuste multifunción (325 423 01)	
User guide	
User guide	
User guide	

COMPATIBILITY

Freewheel: Shimano/Sram, convertible to Campagnolo and XD-R with optional driver bodies	
Freewheel: Shimano/Sram, convertible to Campagnolo and XD-R with optional driver bodies	
Freewheel: Shimano/Sram, convertible to Campagnolo and XD-R with optional driver bodies	
Eje delantero: eje pasante de 12x100, fácilmente convertible a cierre rápido con los adaptadores incluidos. No es compatible con ejes pasantes de 15	
Eje delantero: eje pasante de 12x100, fácilmente convertible a cierre rápido con los adaptadores incluidos. No es compatible con ejes pasantes de 15	
Eje delantero: eje pasante de 12 mm, fácilmente convertible a cierre rápido con los adaptadores opcionales. Convertible a 15 mm mediante sustitución	
Rear axle: 12mm thru axle, convertible to Quick Release with optional adapters	
Rear axle: 12mm thru axle, convertible to Quick Release with optional adapters	
Rear axle: 12mm thru axle, convertible to Quick Release with optional adapters	

Specifications

LLANTAS

- **Material** : Maxtal
 - **Height** : 22 mm
- Disc brake specific profile
- **Material** : Maxtal
 - **Material** : Maxtal
 - **Tire** : UST Tubeless and tubetype
 - **Height** : 22 mm
 - **Height** : 22 mm
 - **Internal width** : 22 mm
 - **ETRTO size** : 622x22TSS ROAD
- Hookless profile
- Disc brake specific profile
- Disc brake specific profile
- **Tire** : UST Tubeless and tubetype
 - **Tire** : UST Tubeless and tubetype
 - **Internal width** : 22 mm
 - **Internal width** : 22 mm
 - **ETRTO size** : 622x22TSS ROAD
 - **ETRTO size** : 622x22TSS ROAD
- Hookless profile
- Hookless profile
- Fore
- Fore
- Fore
- UST
- UST
- UST
- SUP
- SUP
- SUP

RADIOS

- **Material** : steel
- **Material** : steel
- **Material** : steel

BUJE DE LA RUEDA

- **Front and rear bodies** : aluminum
 - **Front and rear bodies** : aluminum
 - **Front and rear bodies** : aluminum
 - **Axle material** : aluminum
 - **Axle material** : aluminum
 - **Axle material** : aluminum
- Infinity Hub
- **Front** : Quick release, 12x100 and 15x100 through axle compatible
 - **Front** : Quick release, 12x100 and 15x100 through axle compatible
 - **Front** : Quick release, 12x100 and 15x100 through axle compatible
 - **Rear** : Quick Release, 12x142 and 12x135 compatible
 - **Rear** : Quick Release, 12x142 and 12x135 compatible
 - **Rear** : Quick Release, 12x142 and 12x135 compatible
- Infinity Hub
- Infinity Hub
- El buje está disponible solo para rotores de freno
- Center Lock
- Instant Drive 360
- Instant Drive 360
- Instant Drive 360
- QRM Auto
- QRM Auto
- QRM Auto

VERSIONS

- **Disc standard** : Center Lock (R) only
- **Disc standard** : Center Lock (R) only
- **Disc standard** : Center Lock (R) only
- **Freewheel** : Shimano/Sram

PESOS DE RUEDAS

935