

MAVIC CROSSMAX XL S 29

2021
REAR

ASTM CATEGORY 4 : ENDURO AND TRAIL RIDING

For a longer longevity of the wheel, Mavic recommends that the total weight supported by the wheels doesn't exceed 150kg, bike included

Recommended tyre sizes: 60mm to 76mm (2.35" to 3.0")

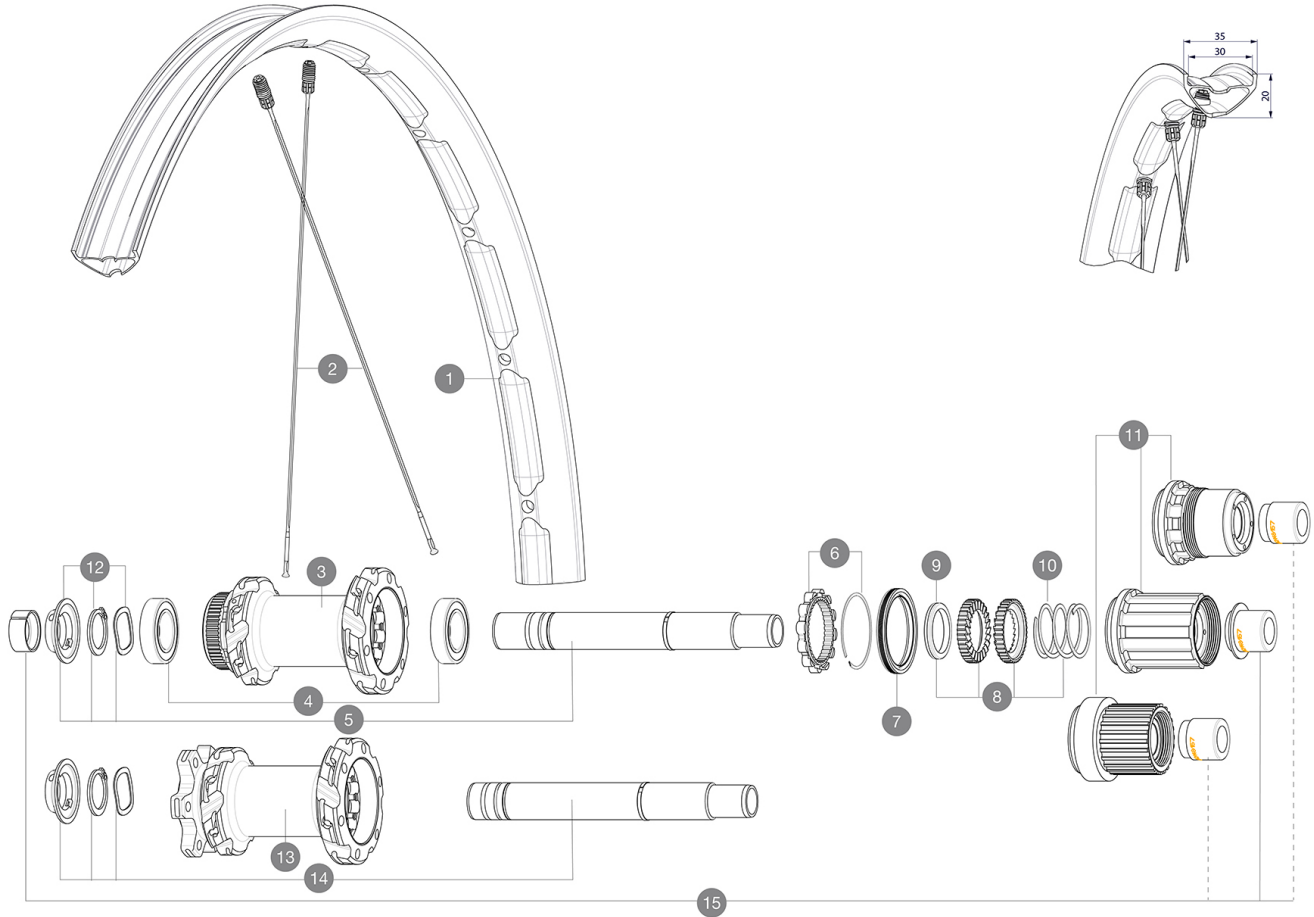
Maximum tyre pressure: 2.95bar/43PSI with a 52mm tyre - 1.55bar/22PSI with a 125mm tyre

Tamaño máximo del neumático: anchura 52 mm - presión máxima: 2,95 bar/43 psi

No Boost: Adaptador trasero 12 a 9 mm para cierre rápido (V2510801)

RUEDAS REFERENCIAS

R37083	XMAX XLS INT 29 BST HG	R39163	XMAX XLS CL 29 BST MS
R37773	XMAX XLS INT 29 BST XD		



RIMS



&NBSP::

1	V3765915	Kit Front/Rear rim Crossmax XLS 29"
---	----------	-------------------------------------

SPOKES

2	V2388301	Kit 12 Front/Rear Crossmax SL/SLS/XL/XLS 29" butted spoke 2
---	----------	---

HUB SHELLS

3	N/A	CUERPO DE BUJE
4	M40076	HUB BEARINGS 17x30x7 6903 x 2
5	V2375701	Kit ID360 148 DCL axle with circlip
6	V2252701	KIT ID360 INSERT SHAPED EAR LOBE > 2017
7	V00063631	Kit ID360 seal version 2 (larger)
8	V2375201	KIT ID360 24 TEETH 2 RATCHET + MTB SPRING + PAD (specific)
9	V2375401	KIT ID360 MTB 24T 3 NOISE REDUCING PADS
10	V2372901	KIT 3 ID360 MTB SPRINGS
11	V3990101	MicroSpline MTB Freewheel Body ID360
11	V3780101	HG9 Alloy MTB Freewheel Body ID360
11	V3740101	XD MTB Freewheel Body ID360
12	V2373001	KIT ADJUST. SYSTEM QRM AUTO ID360 for 17x30x7 bearing
13	N/A	CUERPO DE BUJE
14	V2372201	KIT ID360 148 D6T AXLE WITH CLIP

OPTIONS

8	V2372801	KIT ID360 2x40 TEETH RATCHETS + MTB SPRING + GREASE + PAD
---	----------	---

ADAPTERS

15	V2510701	ID360 EVO REAR AXLE ADAPTERS 12x142mm DCL & D6T
	V2510801	ID360 EVO REAR AXLE ADAPTERS 9x135mm DCL & D6T

ENTREGADO CON

Guía del usuario	
2 replacement spokes with each wheel	
UST valve and accessories (129 838 01)	
UST valve and accessories (129 838 01)	
UST valve and accessories (129 838 01)	
UST valve and accessories (129 838 01)	
Multifunction adjustment wrench (delivered with rear wheel) (325 423 01)	
Multifunction adjustment wrench (delivered with rear wheel) (325 423 01)	
Multifunction adjustment wrench (delivered with rear wheel) (325 423 01)	
Multifunction adjustment wrench (delivered with rear wheel) (325 423 01)	
Guía del usuario	
UST valve and accessories (129 838 01)	
2 replacement spokes with each wheel	
Multifunction adjustment wrench (delivered with rear wheel) (325 423 01)	
2 replacement spokes with each wheel	
2 replacement spokes with each wheel	
2 replacement spokes with each wheel	
Fore adjustment wrench	

COMPATIBILITY

Freewheel: Shimano HG9, XD or Micro Spline	
Front axle: 15x110 Boost thru axle	
Rear axle: 12x148 Boost thru axle	
Cuerpo de rueda libre: convertible SHIMANO HG MTB acero (kit V3790101 vendido por separado)	
Cuerpo de rueda libre: convertible SHIMANO HG MTB acero (kit V3790101 vendido por separado)	
Adaptador delantero de 20 a 15 mm Boost ([12982801])	
Eje delantero: solo para tuercas de fijación (incluidas), rosca M9x1	
Adaptadores eje trasero: 12x148 convertible a 9x141 (kit V2510801 vendido por separado)	
Adaptadores eje trasero: 12x148 convertible a 9x141 (kit V2510801 vendido por separado)	
Front axle: 15x110 Boost thru axle	
Front axle: 15x110 Boost thru axle	
Freewheel: Shimano HG9, XD or Micro Spline	
Freewheel: Shimano HG9, XD or Micro Spline	
Rear axle: 12x148 Boost thru axle	
Rear axle: 12x148 Boost thru axle	
Front axle: convertible from 15mm thru axle to Quick Release with adapters (delivered with non-boost wheel)	
Eje delantero: solo para tuercas de fijación (incluidas), rosca M9x1	