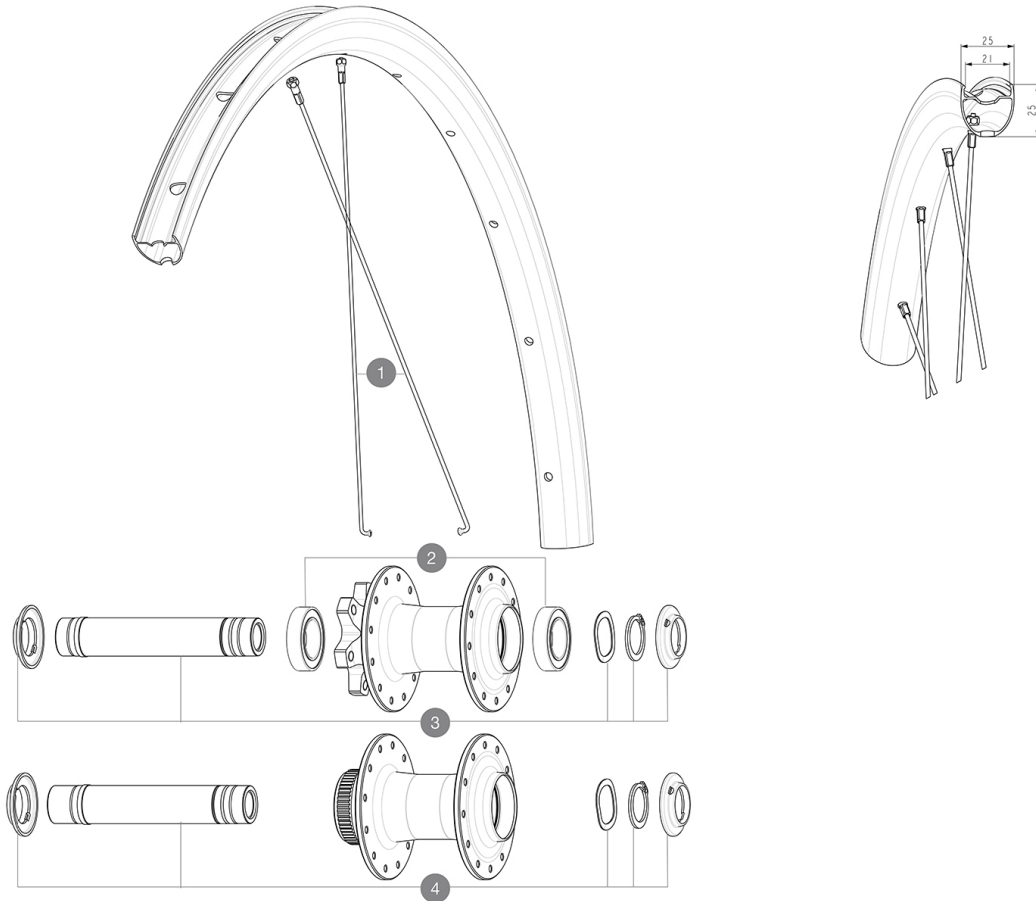


MAVIC AKSIUM 1 DISC

ASTM CATEGORY 2 : road and offroad with jumps less than 15cm
ID360 Shimano steel freewheel body (V3790101)

For a longer longevity of the wheel, Mavic recommends that the total weight supported by the wheels doesn't exceed 120kg, bike included
ID360 N3W freewheel body (V4270101)

REFERENCES WHEELS**SPOKES**

1	V00078331	Kit 12 front/rear Jbent black round spokes 286 + steel nippl
----------	-----------	--

HUB SHELLS

2	V2500901	KIT BEARINGS 18x30x7 + WAVED WASHER + CLIP
3	V2375501	Kit QRM auto front axle 100x12/15mm D6T
4	V2374001	KIT 12x100mm FRONT AXLE DCL QRM AUTO ALLROAD > 2019

ADAPTERS

V2680301	"Kit Ft Road Adapter 12 >> 9mm"
----------	---------------------------------

MAVIC AKSIUM 1 DISC

DELIVERED WITH

User guide	
Pre-installed tubeless rim tape	
User guide	
Pre-installed tubeless rim tape	

COMPATIBILITY

Freewheel body: convertible SHIMANO HG light road (kit V3850101 sold separately)	
Freewheel body: convertible SHIMANO HG light road (kit V3850101 sold separately)	
Freewheel body: convertible SHIMANO MS (kit V3990101 sold separately)	
Freewheel body: convertible SHIMANO MS (kit V3990101 sold separately)	
Freewheel body: convertible CAMPAGNOLO ED (kit V3440101 sold separately)	
Freewheel body: convertible CAMPAGNOLO ED (kit V3440101 sold separately)	
Freewheel body: convertible CAMPAGNOLO N3W (kit V4270101 sold separately)	
Freewheel body: convertible CAMPAGNOLO N3W (kit V4270101 sold separately)	
ID360 Shimano steel freewheel body (V3790101)	
ID360 N3W freewheel body (V4270101)	
Rear axle: 12mm thru axle, convertible to Quick Release with adapters (delivered with non-boost wheel)	
FTS-L Shimano / Sram freewheel body ([30871101] - Delivered on the wheel)	

Specifications

RIMS

- Material : S6000 Aluminum
- Material : S6000 Aluminum
- Height : 21 mm
- Height : 21 mm
- Joint : sleeved
- Joint : sleeved
- Internal width : 21 mm
- Internal width : 21 mm
- Drilling : traditional
- Drilling : traditional
- Disc brake specific profile
- Disc brake specific profile
- ETRTO size : 622x21TC
- ETRTO size : 622x21TC
- Tire : clincher
- Tire : clincher

SPOKES

- Material : steel
- Material : steel
- Count : 20 front and rear
- Count : 20 front and rear

Rear axle: 12mm thru axle, convertible to Quick Release with adapters (delivered with non-boost

WHEEL HUB

- Body : aluminum
- Body : aluminum
- Body design : CLASSIC
- Body design : CLASSIC
- Disc standard : Center Lock[®] only
- Disc standard : Center Lock[®] only
- Axle material : aluminum
- Axle material : aluminum
- Axle size : front 12x100 / rear 12x142 - Convertible to quick release with included adapters
- Axle size : front 12x100 / rear 12x142 - Convertible to quick release with included adapters
- Axles : Front 15x110 (Boost) or 15x100 ; Rear 12x148 (Boost) or 12x142
- Axles : Front 15x110 (Boost) or 15x100 ; Rear 12x148 (Boost) or 12x142
- Freewheel : Shimano HG road / Sram XD road
- Freewheel : Shimano HG road / Sram XD road
- Freewheel : FTS-L steel
- Freewheel : FTS-L steel

VERSIONS

- Freewheel : Shimano/Sram

WHEEL WEIGHTS