

# MAVIC E-CROSSRIDE 1 29

1  
2023  
FRONT

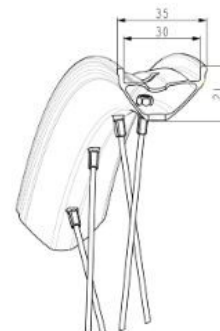
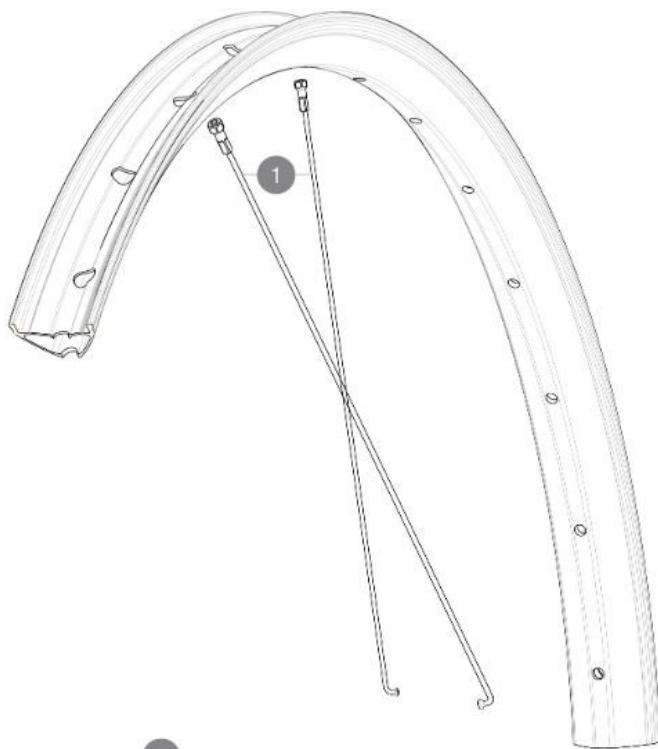
## ASTM CATEGORY 3 : CROSS COUNTRY

For a longer longevity of the wheel, Mavic recommends that the total weight supported by the wheels doesn't exceed 150kg, bike included

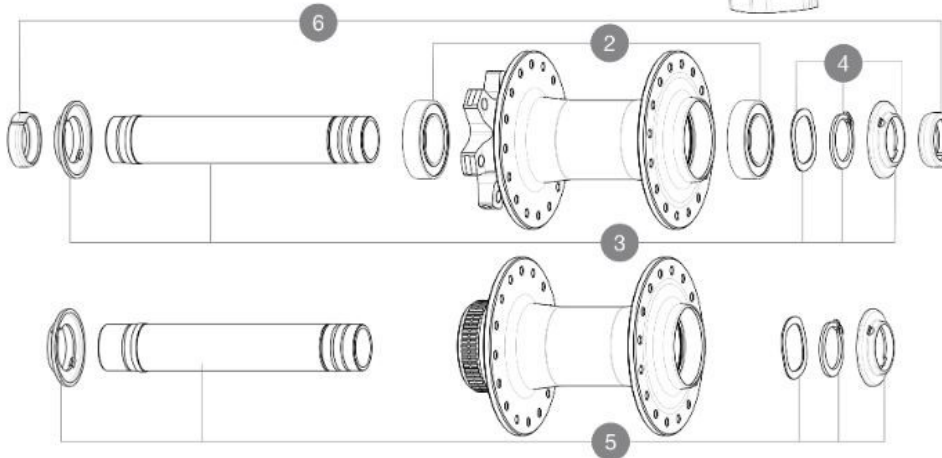
Minimum tyre size: width 52mm - pressure max. 2.35Bar/34PSI

Maximum tyre size: width 125mm - pressure max. 1.25Bar/18PSI

## REFERENCES WHEELS



| Specifications  | Maxi target   |
|-----------------|---------------|
| Frontal run out | 0,5mm         |
| Lateral run out | 0,5mm         |
| Centring        | 1,0mm (2x0,5) |
| Tension daN     | 106 > 137     |
| Disc side       |               |



## SPOKES

1 V00062431 Kit 16 ft/rr Jbent bk rd spk 293 29'+np

## OPTIONS

V2374401 TORQUE CAPS 15\*31 Adapter MTB QRM Auto > 2019 Frt HUB

## HUB SHELLS

2 V2500901 KIT BEARINGS 18x30x7 + WAVED WASHER + CLIP  
 3 V2372401 KIT 110mm AXLE QRM AUTO MTB > 2019  
 4 V2373001 KIT ADJUST. SYSTEM QRM AUTO ID360 for 17x30x7 bearing  
 5 V2375601 Kit 110mm axle QRM auto MTB from 2019 DCL

## ADAPTERS

5 V2372501 15mm MTB Axle Cap QRM Auto From 2019  
 99694101 ADAPTER Ft 15 to 9mm QR

# MAVIC E-CROSSRIDE 1 29

## DELIVERED WITH

|                                 |  |
|---------------------------------|--|
| User guide                      |  |
| Pre-installed tubeless rim tape |  |
| User guide                      |  |
| Pre-installed tubeless rim tape |  |

## COMPATIBILITY

|  |  |
|--|--|
| Freewheel body: convertible SHIMANO HG MTB steel (kit V3790101 sold separately)                        |  |
| Freewheel body: convertible SHIMANO HG MTB steel (kit V3790101 sold separately)                        |  |
| Rear axle: 12mm thru axle, convertible to Quick Release with adapters (delivered with non-boost wheel) |  |

## Specifications

### RIMS

- **Material** : S6000 Aluminum
- **Material** : S6000 Aluminum
- **Height** : 21 mm
- **Height** : 21 mm
- **Joint** : sleeved
- **Joint** : sleeved
- **Internal width** : 30 mm
- **Internal width** : 30 mm
- **Drilling** : traditional (front/rear 32 holes)
- **Drilling** : traditional (front/rear 32 holes)

Disc brake specific profile

Disc brake specific profile

E-Bike specific rim profile

E-Bike specific rim profile

- **ETRTO size 29"** : 622x30TSS

- **ETRTO size 29"** : 622x30TSS

- **Tire** : clincher

- **Tire** : clincher

### SPOKES

- **Material** : steel
- **Material** : steel

- **Count** : 20 front and rear

- **Count** : 20 front and rear

- **Rear axle** : 12mm thru axle, convertible to Quick

Release with adapters (delivered with non-boost wheel)

12mm front hub cap (V2680501)

### WHEEL HUB

- **Body** : aluminum

- **Body** : aluminum

- **Body design** : CLASSIC

- **Body design** : CLASSIC

- **Disc standard** : 6 Bolts or Center Lock<sup>®</sup>

- **Disc standard** : 6 Bolts or Center Lock<sup>®</sup>

- **Axle material** : aluminum

- **Axle material** : aluminum

- **Rear body** : aluminum

- **Rear body** : aluminum

- **Axles** : Front 15x110 (Boost) or 15x100 ; Rear

- 12x148 (Boost) or 12x142

- **Axles** : Front 15x110 (Boost) or 15x100 ; Rear

- 12x148 (Boost) or 12x142

- **Freewheel** : Shimano HG MTB / Shimano MS / Sram XD MTB / Single Speed

- **Freewheel** : Shimano HG MTB / Shimano MS / Sram XD MTB / Single Speed

- **Freewheel** : FTS-L steel

- **Freewheel** : FTS-L steel

### WHEEL WEIGHTS