

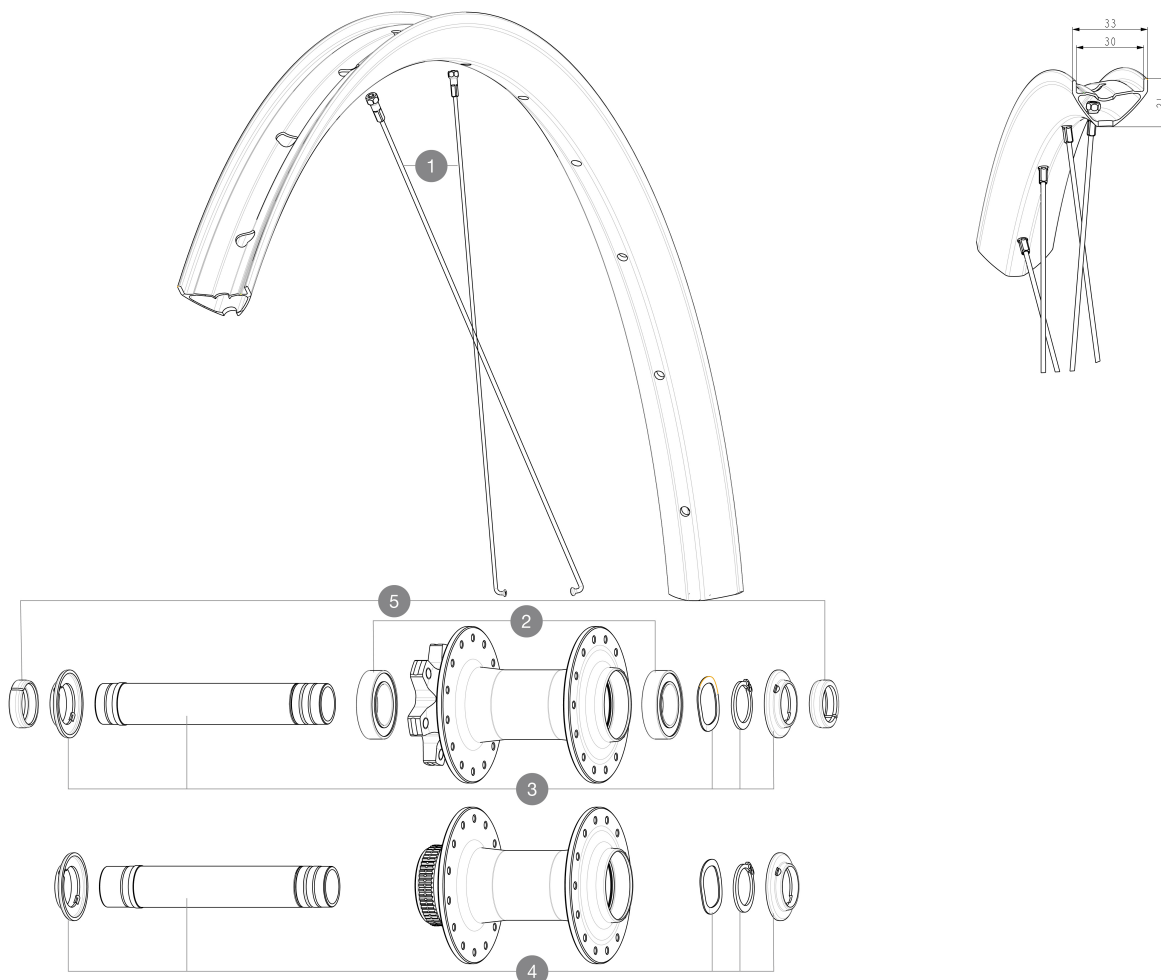
MAVIC **CROSSRIDE 1 29 30MM**

ASTM CATEGORY 3 : CROSS COUNTRY

For a longer longevity of the wheel, Mavic recommends that the total weight supported by the wheels doesn't exceed 150kg, bike included

Minimum tyre size: width 52mm - pressure max. 2.35Bar/34PSI

Maximum tyre size: width 125mm - pressure max. 1.25Bar/18PSI

REFERENCES WHEELS**SPOKES**

| | | |
|----------|-----------|---|
| 1 | V00062331 | Kit 14 ft/rr Jbent bk rd spk 298 29"+np |
|----------|-----------|---|

HUB SHELLS

| | | |
|----------|----------|--|
| 2 | V2500901 | KIT BEARINGS 18x30x7 + WAVED WASHER + CLIP |
| 3 | V2372401 | KIT 110mm AXLE QRM AUTO MTB > 2019 |
| 4 | V2375601 | Kit 110mm axle QRM auto MTB from 2019 DCL |

OPTIONS

| | |
|----------|---|
| V2374401 | TORQUE CAPS 15*31 Adapter MTB QRM Auto > 2019 Frt HUB |
|----------|---|

ADAPTERS

| | | |
|----------|----------|--------------------------------------|
| 5 | V2372501 | 15mm MTB Axle Cap QRM Auto From 2019 |
| | 99694101 | ADAPTER Ft 15 to 9mm QR |

MAVIC CROSSRIDE 1 29 30MM

DELIVERED WITH

| | |
|---------------------------------|--|
| User guide | |
| Pre-installed tubeless rim tape | |
| User guide | |
| Pre-installed tubeless rim tape | |

COMPATIBILITY

| | |
|--|--|
| Freewheel body: convertible SHIMANO HG MTB steel (kit V3790101 sold separately) | |
| Freewheel body: convertible SHIMANO HG MTB steel (kit V3790101 sold separately) | |
| Rear axle: 12mm thru axle, convertible to Quick Release with adapters (delivered with non-boost wheel) | |

Specifications

RIMS

- **Material** : S6000 Aluminum
- **Material** : S6000 Aluminum
- **Height** : 21 mm
- **Height** : 21 mm
- **Joint** : sleeved
- **Joint** : sleeved
- **Internal width** : 30 mm
- **Internal width** : 30 mm
- **Drilling** : traditional (front/rear 28 holes)
- **Drilling** : traditional (front/rear 28 holes)

Disc brake specific profile

Disc brake specific profile

E-Bike specific rim profile

E-Bike specific rim profile

- **ETRTO size 29"** : 622x30TSS

- **ETRTO size 29"** : 622x30TSS

- **Tire** : clincher

- **Tire** : clincher

SPOKES

- **Material** : steel

- **Material** : steel

- **Count** : 20 front and rear

- **Count** : 20 front and rear

- **Rear axle** : 12mm thru axle, convertible to Quick

Release with adapters (delivered with non-boost wheel)

R2R carbon spoke technology

R2R carbon spoke technology

WHEEL HUB

- **Body** : aluminum

- **Body** : aluminum

- **Disc standard** : 6 Bolts or Center Lock

- **Disc standard** : 6 Bolts or Center Lock

- **Axle material** : aluminum

- **Axle material** : aluminum

- **Rear body** : aluminum

- **Rear body** : aluminum

- **Axles** : Front 15X110 (Boost) or 15x100 ; Rear 12X148 (Boost) or 12x142

- **Axles** : Front 15X110 (Boost) or 15x100 ; Rear 12X148 (Boost) or 12x142

- **Freewheel** : Shimano HG MTB / Shimano MS / Sram XD MTB

- **Freewheel** : Shimano HG MTB / Shimano MS / Sram XD MTB

- **Freewheel** : FTS-L steel

- **Freewheel** : FTS-L steel

WHEEL WEIGHTS