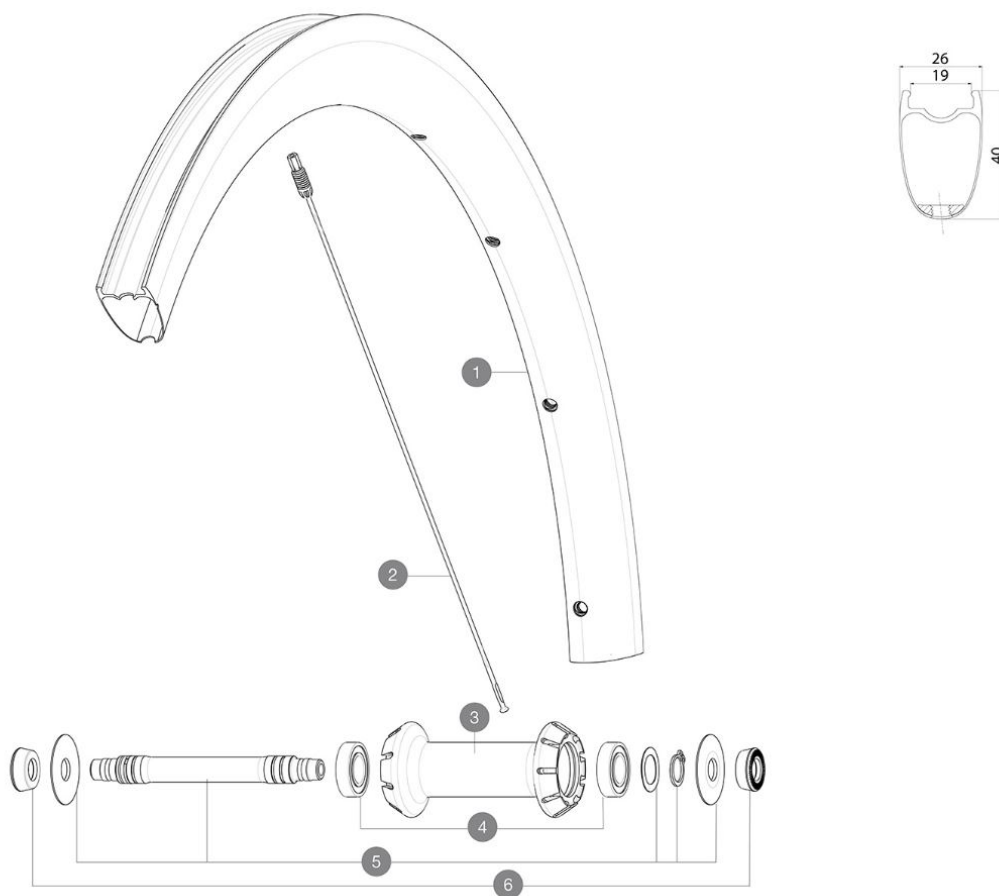


ASTM CATEGORY 1 : road only

**REFERENCES WHEELS**



**RIMS**



&NBSP;:

<b>1</b>	V00063001	Kit Front rim Cosmic SLR40 Ltd
----------	-----------	--------------------------------

**SPOKES**

<b>2</b>	V3669501	Kit 9 Ft Cosmic SLR40 aero ss spk 277 M6
----------	----------	--

**HUB SHELLS**

<b>3</b>	N/A	HUB BODY
<b>4</b>	M40078	FRONT HUB BEARINGS 6901 x 2
<b>5</b>	V2375801	Kit front axle RB for QRM auto hub + hoobster + wave washer

**ADAPTERS**

<b>6</b>	35117301	FT/RR FORK REST R-SYS/CC ULTIMATE > 2013/KSY PRO CARB T
----------	----------	---

**MAVIC** **COSMIC SLR 40 LTD****DELIVERED WITH**

BR301 quick releases (V24 501 01 frt, V24 502 01 rear)	
Carbon brake pads (V24 603 01 Shimano/Sram, V24 604 01 Campagnolo)	
UST valve and accessories (129 838 01)	
User guide	

**COMPATIBILITY**

Freewheel: Shimano/Sram, convertible to Campagnolo ED11, N3W and XD-R with optional driver bodies	
---	--

**Specifications****RIMS**

- **Material** : 100% carbon fiber
  - **Height** : 40 mm
  - **Valve hole diameter** : 6.5 mm
  - **Tire** : UST Tubeless and tubetype
  - **Internal width** : 19 mm
  - **ETRTO size** : 622x19TC
- Fore Carbon tapeless tubeless technology  
UST Tubeless Ready

**SPOKES**

- **Material** : steel
  - **Shape** : straight pull, elliptical aero, double butted (patented)
  - **Nipples** : Fore integrated aluminum
  - **Count** : front 18, rear 24
  - **Lacing** : front radial, rear Isopulse
- Isopulse lacing design

**WHEEL HUB**

- **Front and rear bodies** : aluminum
  - **Axle material** : aluminum
- Instant Drive 360 freewheel technology  
QRM Auto bearing preload technology

**VERSIONS**

- **Freewheel** : Shimano/Sram

**WHEEL WEIGHTS**

640