

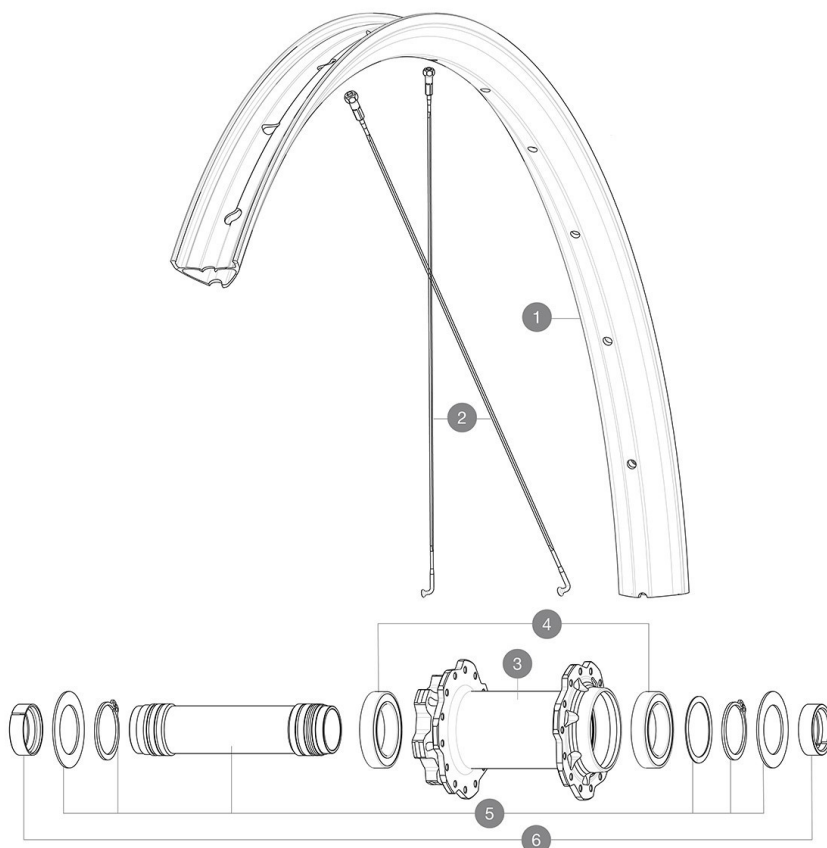
ASTM CATEGORY 5 : GRAVITY RIDING FOCUSED ON THE DESCENT

For a longer longevity of the wheel, Mavic recommends that the total weight supported by the wheels doesn't exceed 150kg, bike included

Minimum tyre size: width 52mm - pressure max. 2.95Bar/43PSI

Non-Boost : 12 to 9mm rear adapter for quick release (V2510801)

REFERENCES WHEELS



Specifications	Maxi target
Frontal run out	0,5mm
Lateral run out	0,5mm
Centring	1,0mm (2x0,5)
Tension daN	99 > 119

RIMS



&NBSP;:

1	V00094431	"Kit front/rear Deemax DH 23 29""
	V3750101	35mm UST Green Tape for 30mm wide rims

SPOKES

2	V2387901	KIT 14 J BENT STEEL SPOKES 299mm DEEMAX DH 29" + black stee
---	----------	---

HUB SHELLS

3	N/A	HUB BODY
4	M40179	FRONT BEARING 25x37x7 20mm AXLE
5	V2373701	KIT 20x110mm BOOST AXLE QRM AUTO MTB > 2019

OPTIONS

12982801	ADAPTER Ft 20 to 15mm
----------	-----------------------

ADAPTERS

6	V2680401	20x110 BOOST Front Adapter MTB wheels
---	----------	---------------------------------------

MAVIC DEEMAX DH 29

DELIVERED WITH

User guide	
UST valve and accessories (129 838 01)	
Pre-installed tubeless rim tape	
User guide	
Pre-installed tubeless rim tape	
UST valve and accessories (129 838 01)	
2 replacement spokes with each wheel	
12 to 9mm rear adapter for quick release (V2510801)	
2 replacement spokes with each wheel	

COMPATIBILITY

Freewheel body: convertible SHIMANO HG MTB steel (kit V3790101 sold separately)	
Freewheel body: convertible SHIMANO HG MTB steel (kit V3790101 sold separately)	
Boost & Non-Boost : 15mm front hub cap (V2372501)	
15mm axle (V2373501)	
ID360 Shimano / Sram freewheel body (V3430101) - Delivered on the wheel	
Rear axle adapters: 12x148 convertible to 9x141 (kit V2510801 sold separately)	
Rear axle adapters: 12x148 convertible to 9x141 (kit V2510801 sold separately)	
ID360 Shimano / Sram freewheel body (V3430101) - Delivered on the wheel	
Instant Drive 360 freewheel technology The new Instant Drive 360 freewheel system is super light and fast to engage with only 9Â°. A large contactless rubber seal provides low friction, while a wide array of end caps makes it super versatile.	

Specifications

RIMS

- **Material** : Mactal
- **Material** : Mactal
- **Height** : 22 mm
- **Height** : 22 mm
- **Joint** : SUP welding technology
- **Joint** : SUP welding technology
- **Internal width** : 30 mm
- **Internal width** : 30 mm
- **Drilling** : traditional (front/rear 28 holes)
- **Drilling** : traditional (front/rear 28 holes)

Disc brake specific profile

Disc brake specific profile

Asymmetrical rim design

Asymmetrical rim design

• **ETRTO size 29"** : 622x30TC

• **ETRTO size 29"** : 622x30TC

• **Tire** : clincher

• **Tire** : clincher

SPOKES

• **Material** : steel

• **Material** : steel

• **Count** : 32 front and rear

• **Count** : 32 front and rear

Instant Drive 360 freewheel technology

12mm front hub cap (V2680501)

WHEEL HUB

• **Body** : aluminum

• **Body** : aluminum

• **Disc standard** : 6 Bolts only

• **Disc standard** : 6 Bolts only

• **Axle material** : aluminum

• **Axle material** : aluminum

Infinity hubs

Infinity hubs

• **Axles** : Front 15X110 (Boost) or 15x100 ; Rear

12X148 (Boost) or 12x142

• **Axles** : Front 15X110 (Boost) or 15x100 ; Rear

12X148 (Boost) or 12x142

• **Freewheel** : Shimano HG MTB / Shimano MS /

Sram XD MTB

• **Freewheel** : Shimano HG MTB / Shimano MS /

Sram XD MTB

• **Freewheel** : FTS-L steel

• **Freewheel** : FTS-L steel

WHEEL WEIGHTS

980