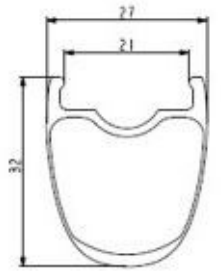
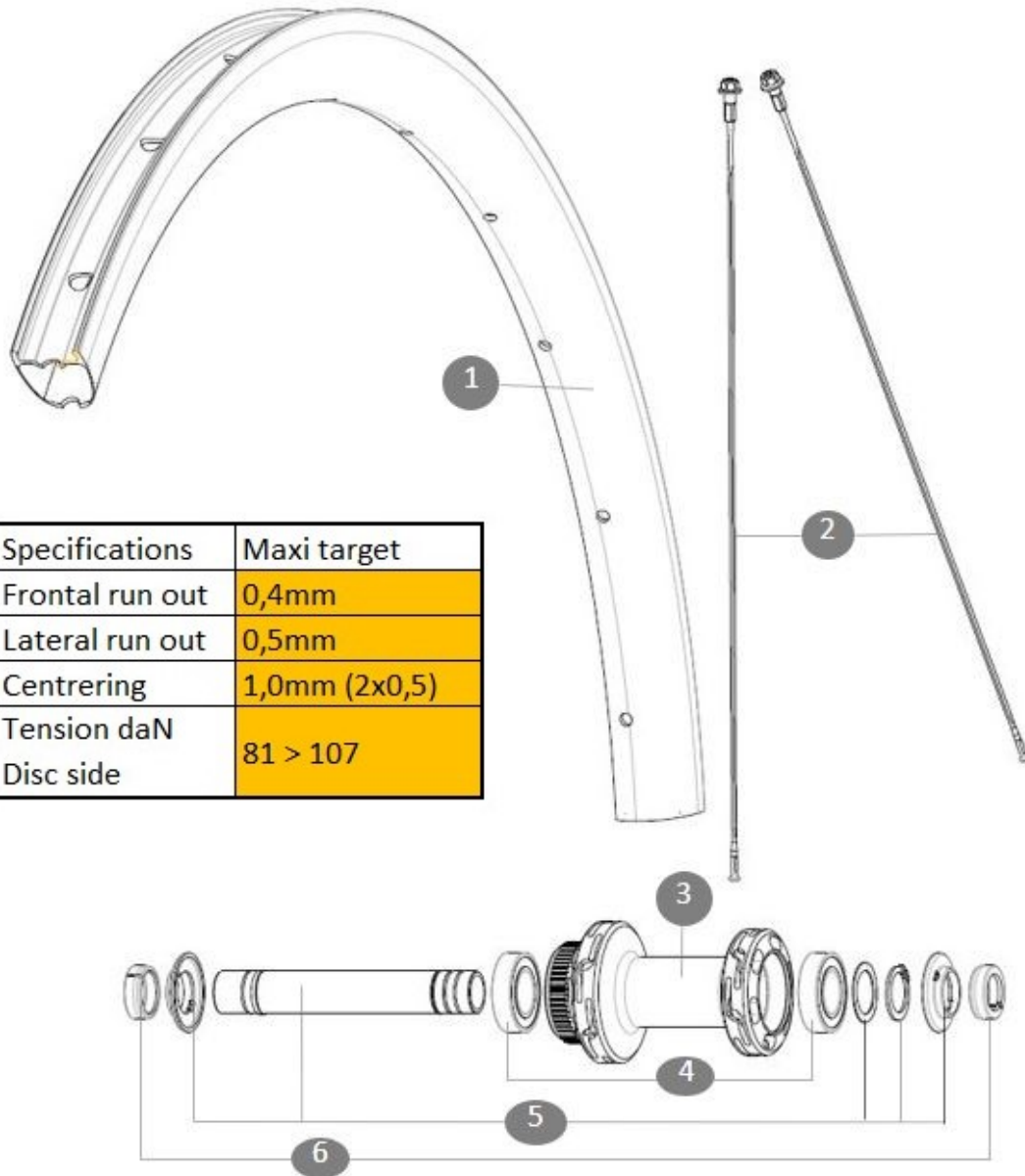


**MAVIC** **COSMIC SL 32 BG****REFERENCES WHEELS**

ASTM CATEGORY 2 : road and offroad with jumps less than 15cm

For a longer longevity of the wheel, Mavic recommends that the total weight supported by the wheels doesn't exceed 120kg, bike included



Jante avant Cosmic SL 32 Disc

**RIMS**

&amp;NBSP;:

- |   |          |  |
|---|----------|--|
| 1 | V4093215 | Kit Front/Rear rim Cosmic SL 32 Disc while stock lasts |
|   | V2620101 | UST RIM TAPE 25mm (for 21-24mm wide rim)               |

**SPOKES**

- |   |          |  |
|---|----------|--|
| 2 | V4163401 | Kit 12 Front/Rear Cosmic SL 32 Disc butted stainless spoke 2 |
|---|----------|--|

**HUB SHELLS**

- |   |          |                                     |
|---|----------|-------------------------------------|
| 3 | N/A      | HUB BODY                            |
| 4 | M40129   | KIT 2 BEARINGS 6902 15x28x7         |
| 5 | V2373301 | KIT QRM AUTO FRONT AXLE 12mm > 2019 |

**OPTIONS**

- |          |                             |
|----------|-----------------------------|
| V2680501 | 12mm Road Axle Cap QRM Auto |
|----------|-----------------------------|

**ADAPTERS**

- |   |          |                                 |
|---|----------|---------------------------------|
| 6 | V2680301 | "Kit Ft Road Adapter 12 >> 9mm" |
|---|----------|---------------------------------|

## DELIVERED WITH

Front QR adapters	
Rear QR adapters for Instant Drive 360 (B49 894 01)	
UST valve and accessories (129 838 01)	
Pre-installed tubeless rim tape	
User guide	

## COMPATIBILITY

Freewheel body: convertible SRAM XD road (kit V2580101 sold separately)	
Freewheel body: convertible SHIMANO HG light road (kit V3850101 sold separately)	
Freewheel body: convertible SHIMANO MS (kit V3990101 sold separately)	
Freewheel body: convertible CAMPAGNOLO ED (kit V3440101 sold separately)	
Freewheel body: convertible CAMPAGNOLO N3W (kit V4270101 sold separately)	
Rear axle: for fixing nuts only (included), M9x1 thread	
ID360 Shimano Micro Spline alloy freewheel body (V3990101)	
ID360 N3W freewheel body (V4270101)	
Instant Drive 360 freewheel technology The new Instant Drive 360 freewheel system is super light and fast to engage with only 9Å°. A large contactless rubber seal provides low friction, while a wide array of end caps makes it super versatile.	
FTS-L Shimano / Sram freewheel body ([30871101] - Delivered on the wheel)	
ID360 Shimano steel freewheel body (V3790101)	
ID360 Sram XD freewheel body (V3740101)	

## Specifications

### RIMS

- **Material** : 100% carbon fiber
  - **Height** : 32mm
  - **Internal width** : 21 mm
  - **Drilling** : traditional
- Disc brake specific profile
- **ETRTO size** : 622x21TC
  - **Tire** : clincher

### SPOKES

- **Material** : steel
  - **Shape** : j-bent, round, 2.0 straight gauge
- R2R carbon spoke technology

### WHEEL HUB

- **Body** : aluminum
- **Body design** : INFINITY
- **Disc standard** : Center LockÅ® only
- **Axle material** : aluminum
- **Axle size** : front 12x100 / rear 12x142 - Convertible to quick release with included adapters
- **Axles** : Front 15x110 (Boost) or 15x100 ; Rear 12x148 (Boost) or 12x142
- **Freewheel** : Shimano HG road
- **Freewheel** : FTS-L steel

### WHEEL WEIGHTS