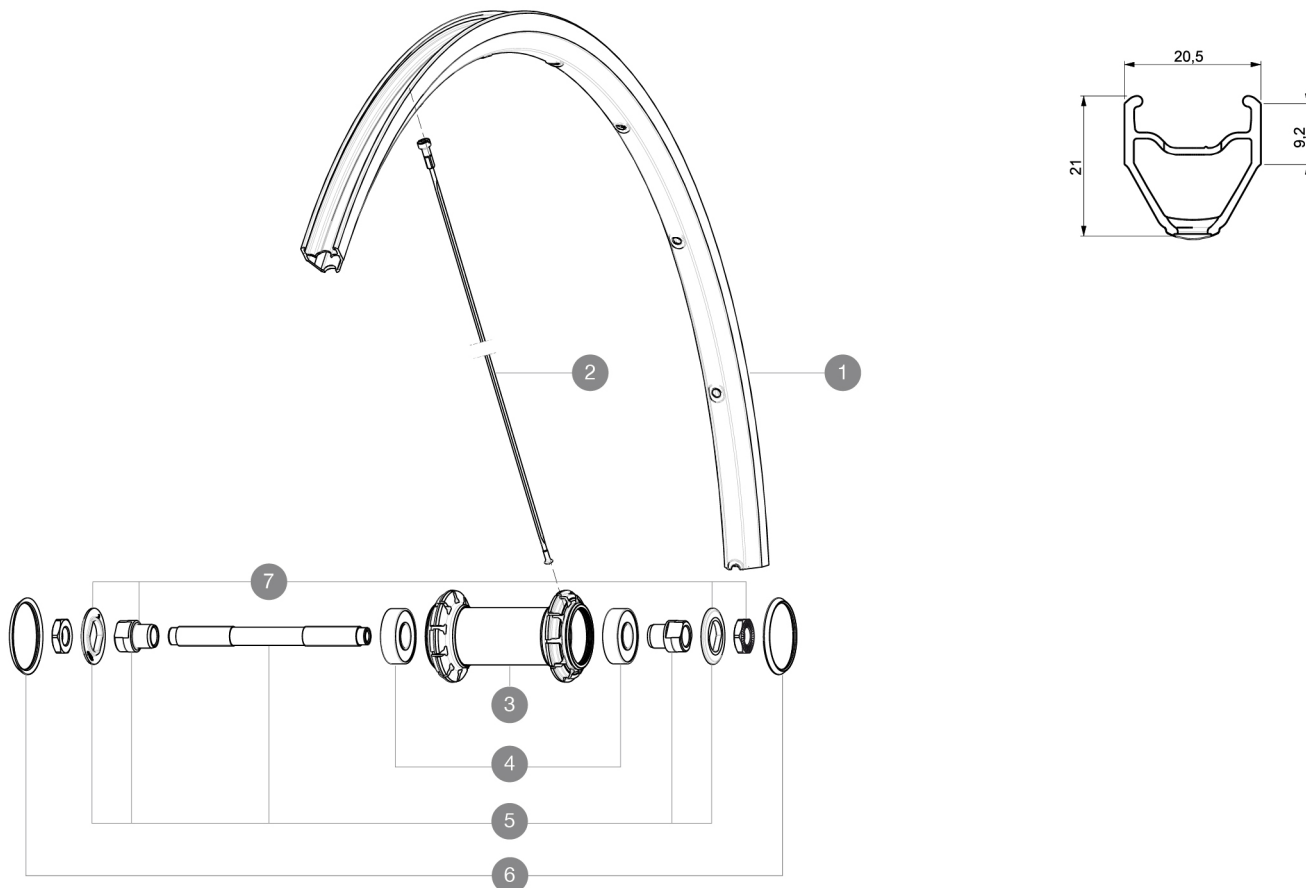


ASTM CATEGORY 2 : road and offroad with jumps less than 15cm  
 Recommended weight limit : 120kg  
 Recommended tyre sizes: 23 to 32 mm  
 Max. Pressure: 25/28mm 7.7 bars - 110 PSI

## REFERENCES WHEELS

F35101 Aksium Elite16Ft



## RIMS



VALVE HOLE  $\bar{A}$  (MM): 6,5 :

1 V2290715 KIT FRONT/REAR RIM AKSIUM ELITE

## SPOKES

2 V4160101 Kit 10 stainless spokes 285 Ft Ksyrium Equipe S/Ft & NDS Aks  
 2 10844901 KIT 10 FT KSYRIUM EQ S/FT+NDS AKSIUM SPK 285mm - while stock

## HUB SHELLS

3 N/A HUB BODY  
 4 M40318 KIT 2 HUB BEARINGS 6001  
 5 99603701 FRONT AXLE QRM ROAD 2008  
 6 N/A HUB BODY  
 7 99603801 SHORT EXPENSIBLE BEARING SUPPORTS > 2008

# MAVIC Aksium Elite

## DELIVERED WITH

BR101 quick releases	
Rim tape	
BR101 quick releases	
User guide	
Rim tape	
User guide	

## Specifications

### RIMS

- **Material** : S6000 Aluminum
- **Height** : 21 mm
- **Joint** : sleeved
- **Drilling** : traditional with H2 reinforcement
- **Brake track** : UB Control
- **Valve hole diameter** : 6.5 mm
- **Tyre** : clincher
- **Material** : S6000 Aluminum
- **Height** : 21 mm
- **ETRTO size** : 622x15C
- **Recommended tyre sizes** : 23 to 32 mm
- **Joint** : sleeved
- **Drilling** : traditional with H2 reinforcement
- **Brake track** : UB Control
- **Valve hole diameter** : 6.5 mm
- **Tyre** : clincher
- **ETRTO size** : 622x15C

### SPOKES

- **Material** : steel
- **Shape** : straight pull, bladed
- **Nipples** : brass, ABS
- **Count** : 20 front and rear
- **Lacing** : radial front and rear non-drive side, crossed 2 rear drive side
- **Material** : steel
- **Shape** : straight pull, bladed
- **Nipples** : steel, ABS
- **Count** : 20 front and rear
- **Lacing** : radial front and rear non-drive side, crossed 2 rear drive side

### WHEEL HUB

- **Front and rear bodies** : aluminum
- **Axle material** : steel
- Sealed cartridge bearings
- **Freewheel** : FTS-L steel
- **Front and rear bodies** : aluminum
- **Axle material** : steel
- Sealed cartridge bearings
- **Freewheel** : FTS-L steel

### WHEEL WEIGHTS

Wheel weight 800