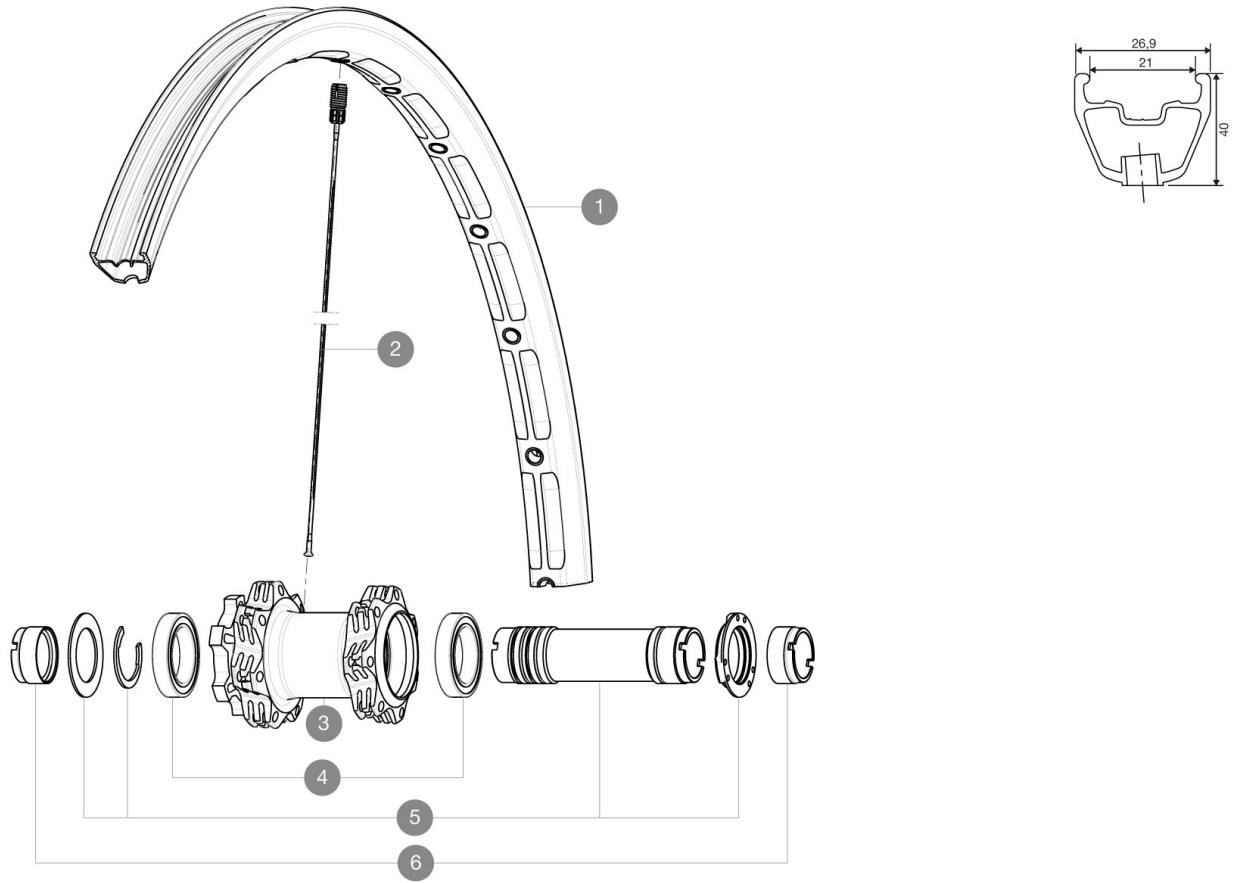


Recommended weight limit : 120kg
ETRTO recommended tyre sizes: 35mm to 69mm (1.4" to 2.7")

REFERENCES WHEELS

| | | | |
|--------|----------------|--------|------------------------|
| F42001 | DmaxUlti16Ft26 | R67701 | DmaxUlti16Pr 26 12x150 |
|--------|----------------|--------|------------------------|



RIMS



VALVE HOLE \bar{A} (MM): 6,5 :

| | | |
|---|----------|--------------------------------------|
| 1 | 99691910 | KIT FRONT RIM DEEMAX ULTIMATE YELLOW |
|---|----------|--------------------------------------|

SPOKES

| | | |
|---|----------|---|
| 2 | 30863801 | KIT 14 FT M7/7 DEEMAX ULTIMATE 12 SPK 271mm |
|---|----------|---|

HUB SHELLS

| | | |
|---|----------|---|
| 3 | N/A | HUB BODY |
| 4 | M40179 | FRONT BEARING 25x37x7 20mm AXLE |
| 5 | 30870501 | FRONT AXLE 20mm CROSSMAX + DEEMAX ULTI 2012 |

ADAPTERS

| | | |
|---|----------|---------------------|
| 6 | 12982901 | ADAPTER Ft 20x110mm |
|---|----------|---------------------|

DELIVERED WITH

| | |
|---|--|
| UST valve and accessories | |
| Rear QR adapters | |
| Multifonction adjustment wrench | |
| User guide | |
| 12x157mm adaptors (308 593 01 for ITS4) | |
| UST valve and accessories | |
| Multifonction adjustment wrench | |
| User guide | |
| 12x157mm adaptors (308 593 01 for ITS4) | |

COMPATIBILITY

| | |
|--|--|
| Freewheel: Shimano/Sram, convertible to XD with optional driver body | |
| Front axle: 20mm or 15mm thru axle with optional adapters | |
| Rear axle: 12mm thru axle, convertible to Quick Release with optional adapters | |

Specifications**RIMS**

- **Material** : Maxtal
 - **Joint** : SUP
 - **Drilling** : Fore
- Disc brake specific profile
- **Weight reduction** : ISM with central spine
 - **Valve hole diameter** : 6.5 mm
 - **Tyre** : UST Tubeless and tubetype
 - **Material** : Mxatal
 - **Internal width** : 21 mm
 - **ETRTO size 26"** : 559x21C
 - **ETRTO recommended tyre sizes** : 35mm to 69mm (1.4" to 2.7")
 - **Joint** : SUP
 - **Drilling** : Fore
- Disc brake specific profile
- **Weight reduction** : ISM with central spine
 - **Valve hole diameter** : 6.5 mm
 - **Tyre** : UST Tubeless and tubetype
 - **Internal width** : 21 mm
 - **ETRTO size 26"** : 559x21C

SPOKES

- **Material** : steel
- **Shape** : straight pull, bladed
- **Nipples** : Fore integrated aluminum
- **Count** : front 28, rear 32
- **Material** : steel
- **Lacing** : front and rear crossed 3
- **Shape** : straight pull, bladed
- **Nipples** : Fore integrated aluminum
- **Count** : front 28, rear 32
- **Lacing** : front and rear crossed 3

WHEEL HUB

- **Front and rear bodies** : aluminum
 - **Axle material** : aluminum
- Adjustable sealed cartridge bearings
- **Freewheel** : ITS-4 alloy
 - **Front and rear bodies** : aluminum
- Shimano 11 speeds compatible
Sram XD Compatible (XX1-X01) with optional kit
- **Axle material** : aluminum
- Adjustable sealed cartridge bearings
- **Freewheel** : ITS-4 alloy

VERSIONS

- **Color** : Black only
- **Disc standard** : 6 Bolts only

WHEEL WEIGHTS

- **Wheel weight**
- **Weight Front 26"**: 910
- **Weight Front 27.5"**: 930