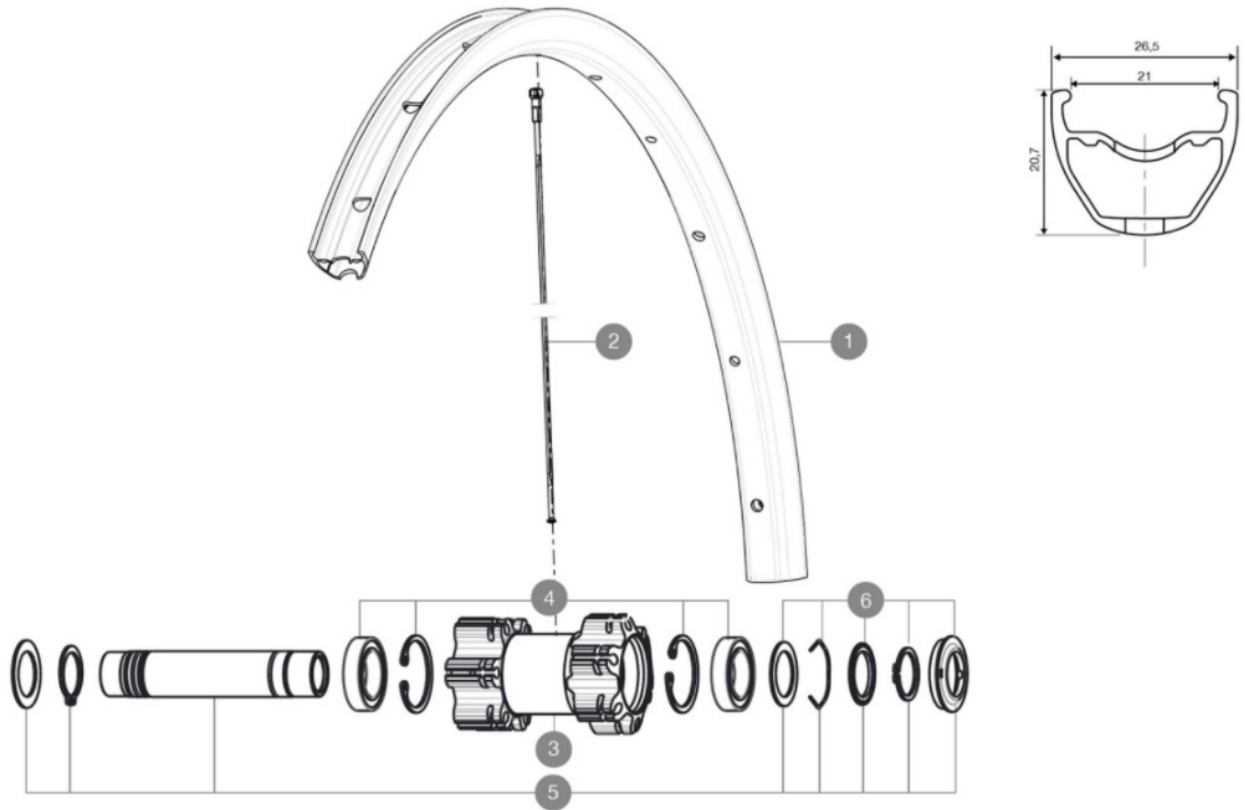


ASTM CATEGORY 3 : offroad with jumps less than 61cm  
 Recommended weight limit : 120kg  
 ETRTO recommended tyre sizes: 35mm to 69mm (1.4" to 2.7")

## REFERENCES WHEELS

F28401 Xride16F1 26



### RIMS



VALVE HOLE (MM): 8,5 WITH POP OFF REDUCER :

|   |          |   |
|---|----------|---|
| 1 | V2314715 | "KIT FRT/RR RIM CROSSRIDE/CROSSRIDE FTSX 26"" |
|---|----------|---|

### SPOKES

|   |          |  |
|---|----------|--|
| 2 | V2382801 | KIT 12 FT/NDS CROSSRIDE/FTSX 26" SPK 265mm |
|---|----------|--|



### HUB SHELLS

|   |          |  |
|---|----------|--|
| 3 | N/A      | HUB BODY   |
| 4 | 99688501 | BEARING KIT 9/12/15 D6T HUB 20x32x7 6804                   |
| 5 | V2370101 | KIT FRONT AXLE 15MM CROSSONE/-RIDE/-ROC - while stock last |
| 5 | V2371101 | KIT FRONT QRM AXLE 100mm/BOOST 110mm                       |
| 6 | V2370301 | KIT FRONT AUTO ADJUSTING PLAY 15mm AXLE                    |

# MAVIC Crossride 26

2016  
FRONT

## DELIVERED WITH

|   |   |
|---|---|
| BR101 quick releases  |   |
| Rim tape  |   |
| Front QR adapters   |   |
| BR101 quick releases  |   |
| BR101 quick releases  |   |
| Rear QR adapters  |   |
| Rear 12x142mm adapters  |   |
| Valve reducer   |   |
| User guide  |   |
| Front QR adapters   |   |
| Front QR adapters   |   |
| Rear 12x142mm adapters for ITS4 and TS2<br>(308 593 01 for ITS4, 329 650 01 for TS2)<br>1 |  |
| Rear 12x142mm adapters for ITS4 and TS2<br>(308 593 01 for ITS4, 329 650 01 for TS2)<br>1 |  |
| Valve reducer   |   |
| Valve reducer   |   |
| Rim tape  |   |
| Rim tape  |   |
| User guide  |   |

## COMPATIBILITY

|   |  |
|---|--|
| Freewheel: Shimano/Sram, convertible to XD with optional driver body                |  |
| Freewheel: Shimano/Sram, convertible to XD with optional driver body                |  |
| Front axle: convertible from 15mm thru axle to Quick Release with included adapters |  |
| Front axle: convertible from 15mm thru axle to Quick Release with included adapters |  |
| Rear axle: 12mm thru axle, convertible to Quick Release with optional adapters      |  |
| Rear axle: 12mm thru axle, convertible to Quick Release with optional adapters      |  |