

MAVIC Cosmic Elite UST Disc

ASTM CATEGORY 2 : road and offroad with jumps less than 15cm

For a longer longevity of the wheel, Mavic recommends that the total weight supported by the wheels don't exceed 120kg, bike included

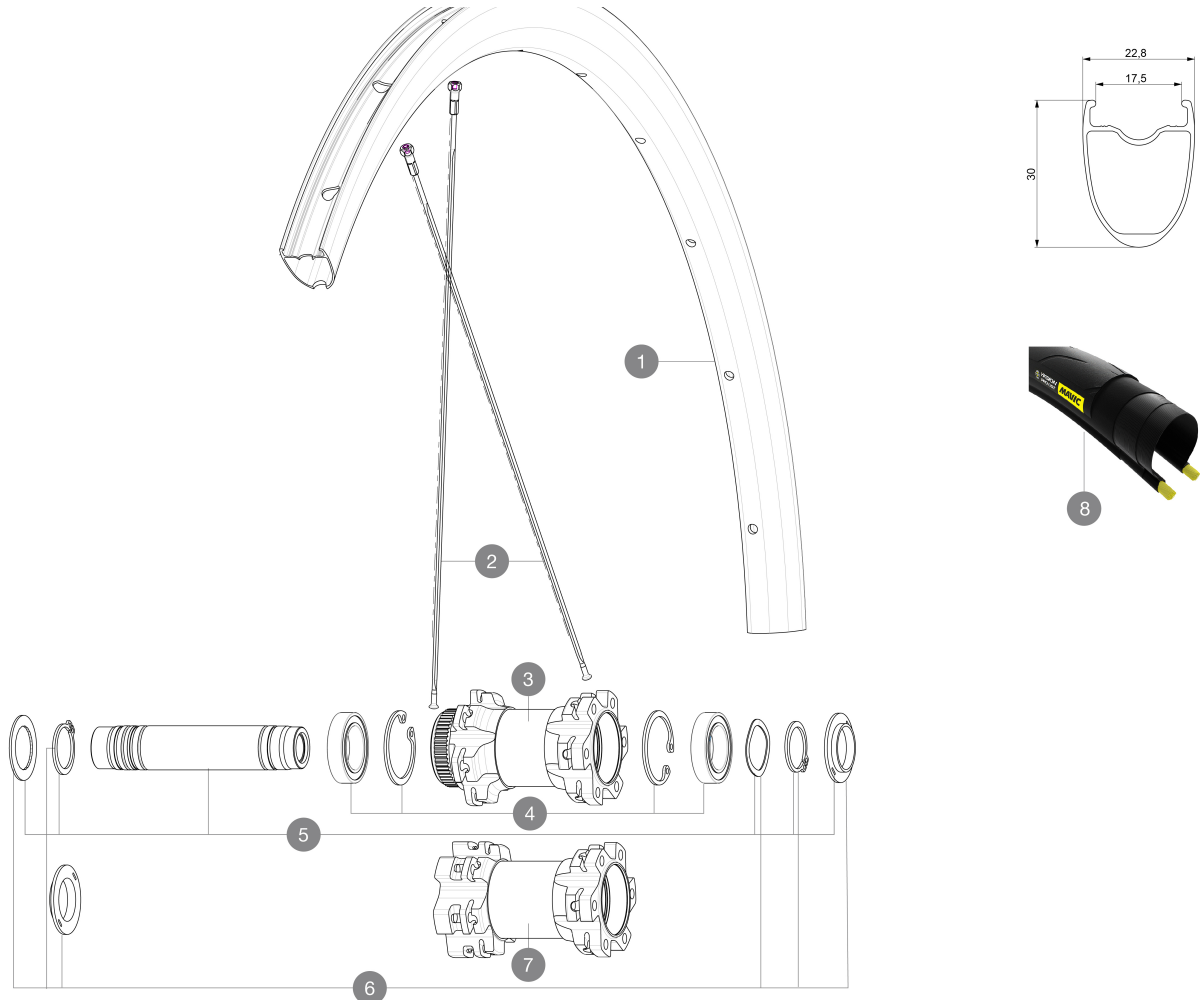
Recommended tyre sizes: 25 to 32 mm

Max. Pressure tubeless: 25mm 7 bars - 100 PSI, 28mm 6 bars - 87 PSI. Max pressure tubetype: 25/28mm 7,7 bars - 110 PSI

REFERENCES WHEELS

F74221 Cos EI USTD6B Ft 12x100

F72891 Cos EI UST DCL Ft 12x100



RIMS



&NBSP::

1	V2732715	KIT FRONT/REAR RIM COSMIC ELITE DISC UST
	V2900101	23mm UST Tape For 17 to 18 Wide Road Rims

SPOKES

2	V3660201	KIT 12 FT/NDS COSMIC ELITE UST DISC SPK 288mm
---	----------	---

HUB SHELLS

3	N/A	HUB BODY
4	99688501	BEARING KIT 9/12/15 D6T HUB 20x32x7 6804
5	V2371801	KIT FRONT AXLE 12mm L1 + WAVED WASHER + CLIP
6	V2372701	QRM AUTO FRONT AXLE ASSEMBLY KIT > 2018
7	N/A	HUB BODY

OPTIONS

V2371901	KIT FRONT AXLE MTB L1 QRM AUTO 15x100mm
----------	---

TYRES

8	39938825	Yksion Pro UST 700x25
---	----------	-----------------------

ADAPTERS

V2390801	KIT 2 FORK RESTS FRONT AXLE MTB QRM AUTO
V2680301	"Kit Ft Road Adapter 12 >> 9mm"

MAVIC Cosmic Elite UST Disc

DELIVERED WITH

Mavic tyre sealant (rear wheel) (355 466 01)	
Mavic tyre sealant (rear wheel) (355 466 01)	
Tyre sealant syringe	
Tyre sealant syringe	
Front QR adapters (996 941 01 for MTB or B41 043 01 for road)	
Rear QR adapters for Instant Drive 360 (B49 894 01)	
UST valve and accessories (129 838 01)	
UST valve and accessories (129 838 01)	
Tubeless rim tape	
Tubeless rim tape	
User guide	
User guide	

COMPATIBILITY

Freewheel: Shimano/Sram, convertible to Campagnolo and XD-R with optional driver bodies	
Freewheel: Shimano/Sram, convertible to Campagnolo and XD-R with optional driver bodies	
Front axle: 12mm thru axle, easily convertible to quick release with included adapters. Convertible to 15mm with complete axle replacement	
Front axle: 12mm thru axle. Optional: Easily convertible to quick release with adequate adapters, convertible to 15mm with complete axle replacement	
Rear axle: 12mm thru axle, convertible to Quick Release with included adapters	
Rear axle: 12mm thru axle, convertible to Quick Release with optional adapters (not available in Germany)	

Specifications

RIMS

- **Material** : S6000 Aluminum
 - **Material** : S6000 Aluminum
 - **Height** : 30 mm
 - **Height** : 30 mm
 - **Joint** : SUP
 - **Joint** : SUP
 - **Drilling** : traditional
 - **Drilling** : traditional
- Disc brake specific profile
Disc brake specific profile
- **Valve hole diameter** : 6.5 mm
 - **Valve hole diameter** : 6.5 mm
 - **Tyre** : UST Tubeless and tubetype
 - **Tyre** : UST Tubeless and tubetype
 - **Internal width** : 17 mm
 - **Internal width** : 17 mm
 - **ETRTO size** : 622x17TC ROAD
 - **ETRTO size** : 622x17TC ROAD
- Use with Mavic Tubeless Tape

SPOKES

- **Material** : steel
- **Material** : steel
- **Shape** : straight pull, bladed
- **Shape** : straight pull, bladed

WHEEL HUB

- **Front and rear bodies** : aluminum
 - **Front and rear bodies** : aluminum
 - **Axle material** : aluminum
 - **Axle material** : aluminum
- Auto adjust sealed cartridge bearings (QRM Auto)
Auto adjust sealed cartridge bearings (QRM Auto)
- **Freewheel** : Instant Drive 360
 - **Freewheel** : Instant Drive 360
 - **Front** : Quick release, 12x100 and 15x100 through axle compatible
 - **Rear** : Quick Release, 12x142 and 12x135 compatible

VERSIONS

- **Color** : Black only
- **Disc standard** : 6 Bolts or Center Lock(R)
- **Disc standard** : Center Lock(R) only

WHEEL WEIGHTS

875