

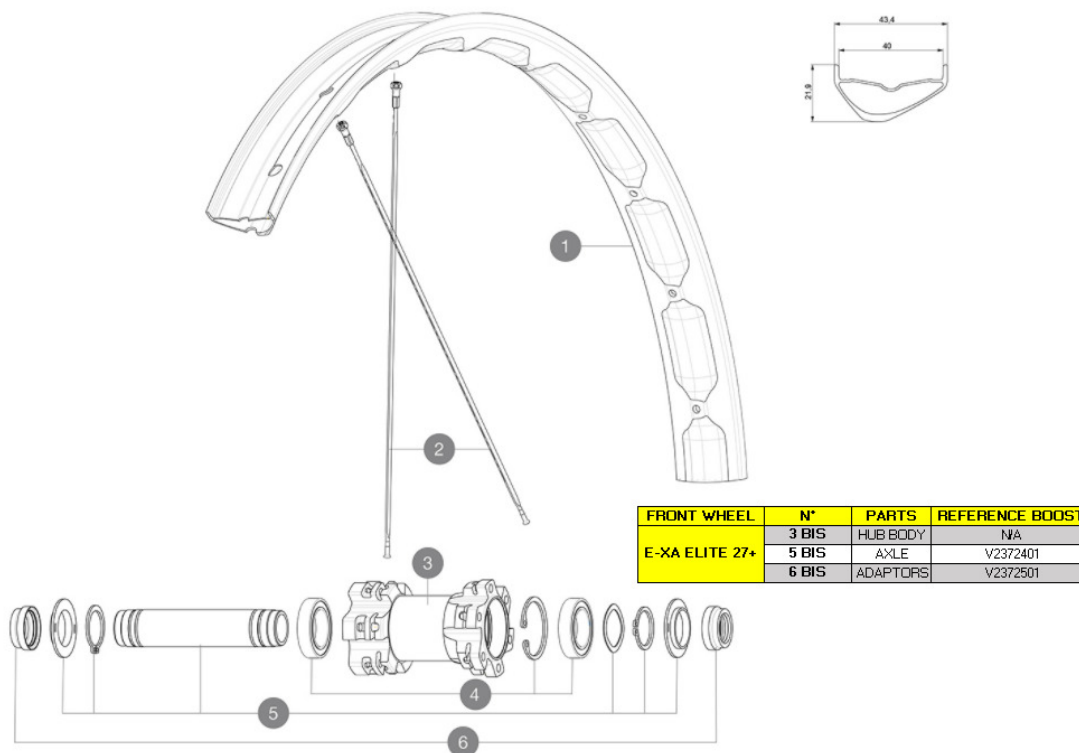
ASTM CATEGORY 3 : CROSS COUNTRY AND TRAIL RIDING

For a longer longevity of the wheel, Mavic recommends that the total weight supported by the wheels don't exceed 120kg, bike included

Recommended tyre sizes: 60mm to 81mm (2.5" to 3.2")

REFERENCES WHEELS

F76181 E-Xa Elite 27+ Bst Ft NT



RIMS



&NBSP::

1	V2319115 V3700101	KIT FRONT/REAR RIM E-XA/XA ELITE 27,5"+ 40 TSS 43mm UST Tape For 40mm Wide Rims
---	----------------------	--

SPOKES

2	V2386201	KIT 12 FRT/REAR E-XA/XA ELITE 27,5" BLACK NIPPLES - white s
2	V3666501	KIT 12 FRT/NDS AKSIUM ELITE UST Disc 650B FLAT SPOKE 277mm +

HUB SHELLS

3	N/A	HUB BODY
	N/A	HUB BODY
4	99688501	BEARING KIT 9/12/15 D6T HUB 20x32x7 6804
5	V2372001	KIT FRONT AXLE MTB L1 QRM AUTO BOOST 15x110mm
	V2372401	KIT 110mm AXLE QRM AUTO MTB > 2019
7	V2372701	QRM AUTO FRONT AXLE ASSEMBLY KIT > 2018

OPTIONS

V2650301 TorqueCapsAdaptMTB QRM Auto Ft

ADAPTERS

6	V2390801	KIT 2 FORK RESTS FRONT AXLE MTB QRM AUTO
	V2372501	15mm MTB Axle Cap QRM Auto From 2019
	99694101	ADAPTER Ft 15 to 9mm QR

MAVIC *E-XA Elite 27+***DELIVERED WITH**

UST valve and accessories (129 838 01)	
Tubeless rim tape	
User guide	

COMPATIBILITY

Freewheel: Shimano/Sram or XD	
-------------------------------	--

Specifications**RIMS**

- **Material** : S6000 Aluminum
 - **Joint** : SUP
 - **Drilling** : traditional
 - **Weight reduction** : ISM
 - **Valve hole diameter** : 6.5 mm
 - **Tyre** : UST Tubeless and tubetype
 - **Internal width** : 40 mm
 - **ETRTO size 27.5"** : 584x25TSS
- Use with Mavic Tubeless Tape

SPOKES

- **Material** : steel
- **Shape** : straight pull, bladed
- **Count** : 24 front and rear
- **Lacing** : front and rear crossed 2

WHEEL HUB

- **Front and rear bodies** : aluminum
 - **Axle material** : aluminum
- Auto adjust sealed cartridge bearings (QRم Auto)
- **Freewheel** : ITS-4 QRM Auto alloy

VERSIONS

- **Color** : Black only
- **Disc standard** : 6 Bolts only
- **Hub width** : Boost only (front 110, rear 148)

WHEEL WEIGHTS

940