

MAVIC *Cosmic Pro Carbon UST TDF***REFERENCES WHEELS**

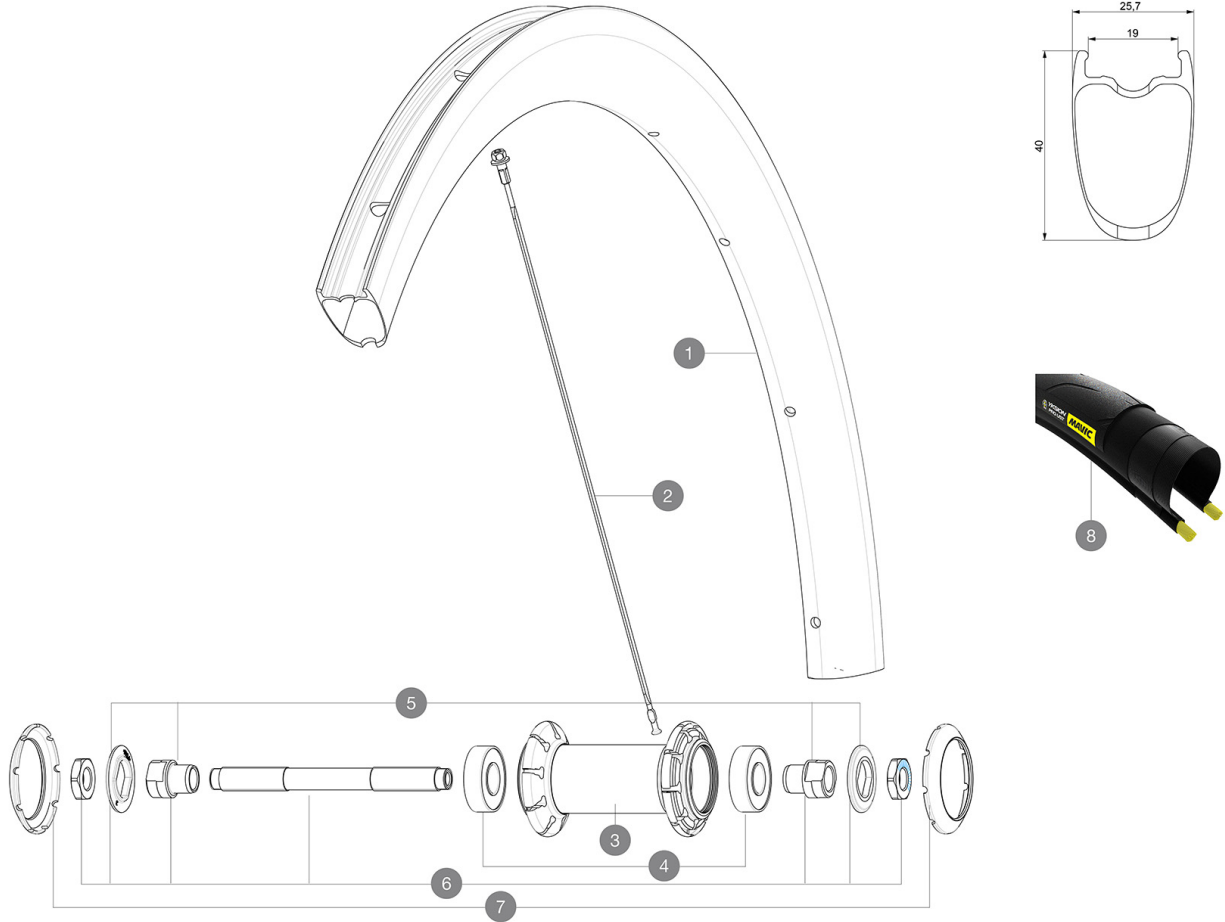
F85731 Cosmic Pro Carb UST TDF Ft

ASTM CATEGORY 1 : road only

For a longer longevity of the wheel, Mavic recommends that the total weight supported by the wheels don't exceed 120kg, bike included

Recommended tyre sizes: 25 to 32 mm

Max. Pressure tubeless: 25mm 6 bars - 87 PSI, 28mm 5 bars - 70 PSI. Max pressure tubetype: 25mm 7 bars - 102 PSI, 28mm 6 bars - 87 PSI

**RIMS**

&NBSP;:

1	V2734610	KIT FRONT RIM COSMIC PRO CARBON UST TdF
	V3720101	25mm UST Tape for 19 to 22mm Road Rims

SPOKES

2	V3664301	KIT 10 FRT/NDS COSMIC PRO CARBON UST SPOKE 268mm - while sto
2	V4160901	Kit 10 Front/Rear non Drive Side Stainless Spokes 268 Cosmic
2	V4160701	Kit 2 Front/Rear non Drive Side stamped Stainless Spokes 268
2	V3664401	KIT 2 FRT/NDS COSMIC PRO CARBON UST STAMPED SPOKE 268mm - wh

HUB SHELLS


4	M40318	KIT 2 HUB BEARINGS 6001
5	99603801	SHORT EXPENSIBLE BEARING SUPPORTS > 2008
6	99603701	FRONT AXLE QRM ROAD 2008
7	V2375101	KIT 3 HUB CAPS AERO 9 SLOTS BLACK

TYRES

8	39938825	Yksion Pro UST 700x25
---	----------	-----------------------

MAVIC Cosmic Pro Carbon UST TDF

DELIVERED WITH

Mavic tyre sealant (rear wheel) (355 466 01)	
BR301 quick releases (V24 501 01 frt, V24 502 01 rear)	
Tyre sealant syringe	
Carbon brake pads (V24 603 01 Shimano/Sram, V24 604 01 Campagnolo)	
UST valve and accessories (129 838 01)	
Tubeless rim tape	
User guide	

COMPATIBILITY

Freewheel: Shimano/Sram, convertible to Campagnolo with optional driver body	
Front axle: Quick Release only	
Rear axle: Quick Release only	

Specifications

RIMS

- **Material** : 3K carbon fibers
 - **Height** : 40 mm
 - **Drilling** : traditional
 - **Brake track** : carbon with iTgMAX technology
 - **Valve hole diameter** : 6.5 mm
 - **Tyre** : UST Tubeless and tubetype
 - **Internal width** : 19 mm
 - **ETRTO size** : 622x19TC Road
- Use with Mavic Tubeless Tape

SPOKES

- **Material** : steel
- **Shape** : straight pull, flat, double butted
- **Nipples** : steel, ABS
- **Count** : front 18, rear 20
- **Lacing** : radial front and rear non-drive side, crossed 2 rear drive side

WHEEL HUB

- **Front and rear bodies** : aluminum
 - **Axle material** : steel
- Sealed cartridge bearings (QRB)
- **Freewheel** : FTS-L steel

WHEEL WEIGHTS

745