

# MAVIC E-Crossmax 29 19

1  
2019  
FRONT

ASTM CATEGORY 3 : CROSS COUNTRY AND TRAIL RIDING

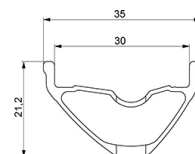
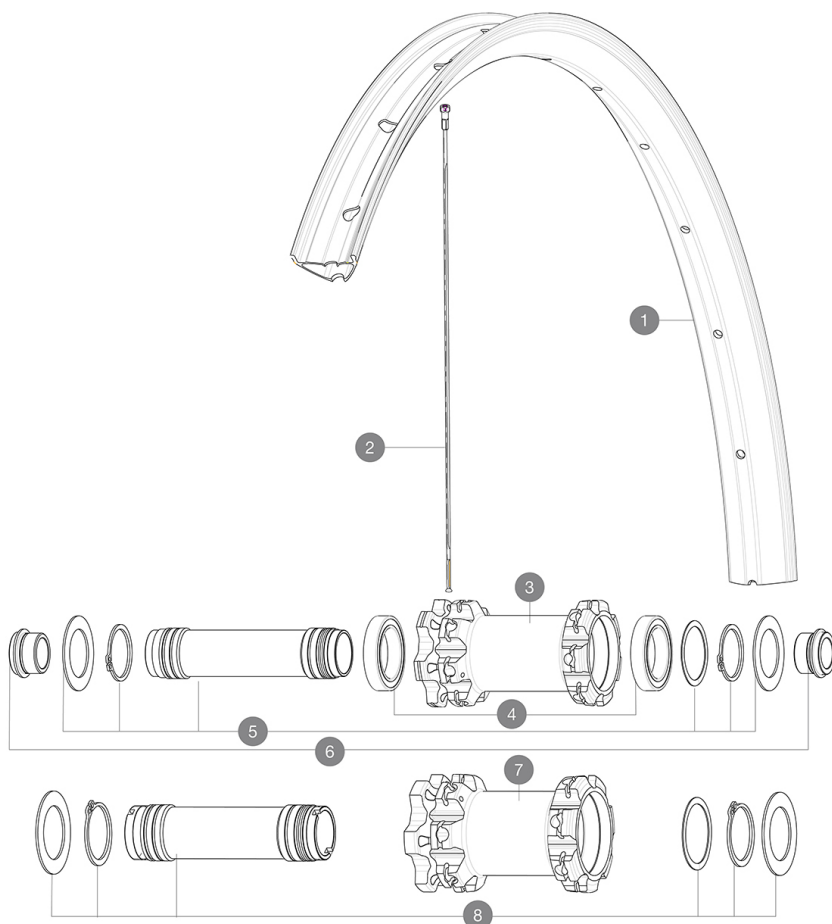
For a longer longevity of the wheel, Mavic recommends that the total weight supported by the wheels don't exceed 150kg, bike included

Recommended tyre sizes: 60mm to 76mm (2.35" to 3.0")

## REFERENCES WHEELS

F82341 E-Crossmax 29 Ft

F82351 E-Crossmax 29 Ft Boost



## RIMS



&NBSP;:

1	V3763415 V3750101	KIT FRT/REAR RIM E-CROSSMAX 29" 35mm UST Green Tape for 30mm wide rims
---	----------------------	---

## SPOKES

2	V3821401	KIT 14 FRT/NDS E-CROSSMAX 29" FLAT SPOKE 301mm + nippl.
---	----------	---

## HUB SHELLS


3	N/A	HUB BODY
4	M40179	FRONT BEARING 25x37x7 20mm AXLE
5	V2373801	KIT 20x110mm AXLE QRM AUTO MTB > 2019
7	N/A	HUB BODY
8	V2373701	KIT 20x110mm BOOST AXLE QRM AUTO MTB > 2019

## ADAPTERS

6	12982801 12982701	ADAPTER Ft 20 to 15mm ADAPTER Ft 20 to 9mm QR incl.
---	----------------------	--

# MAVIC E-Crossmax 29 19

## DELIVERED WITH

Front QR adapters (non-boost wheel)	
Front QR adapters (non-boost wheel)	
Rear QR adapters (non-boost wheel)	
Rear QR adapters (non-boost wheel)	
UST valve and accessories (129 838 01)	
UST valve and accessories (129 838 01)	
UST valve and accessories (129 838 01)	
Specific disc bolts (308 719 01)	
Specific disc bolts (308 719 01)	
Specific disc bolts (308 719 01)	
Tubeless rim tape	
Tubeless rim tape	
Tubeless rim tape	
User guide	
User guide	
User guide	

## COMPATIBILITY

Freewheel: Shimano/Sram or XD	
Freewheel: Shimano/Sram or XD	
Freewheel: Shimano Micro Spline	
Freewheel: Shimano Micro Spline	

## Specifications

### RIMS

- Material : S6000 Aluminum
- Material : S6000 Aluminum
- Material : S6000 Aluminum
- Joint : sleeved
- Joint : sleeved

### WHEEL HUB

- Front and rear bodies : aluminum
- Front and rear bodies : aluminum
- Front and rear bodies : aluminum
- Axle material : aluminum
- Axle material : aluminum

### WHEEL WEIGHTS