

## ASTM CATEGORY 3 : CROSS COUNTRY AND TRAIL RIDING

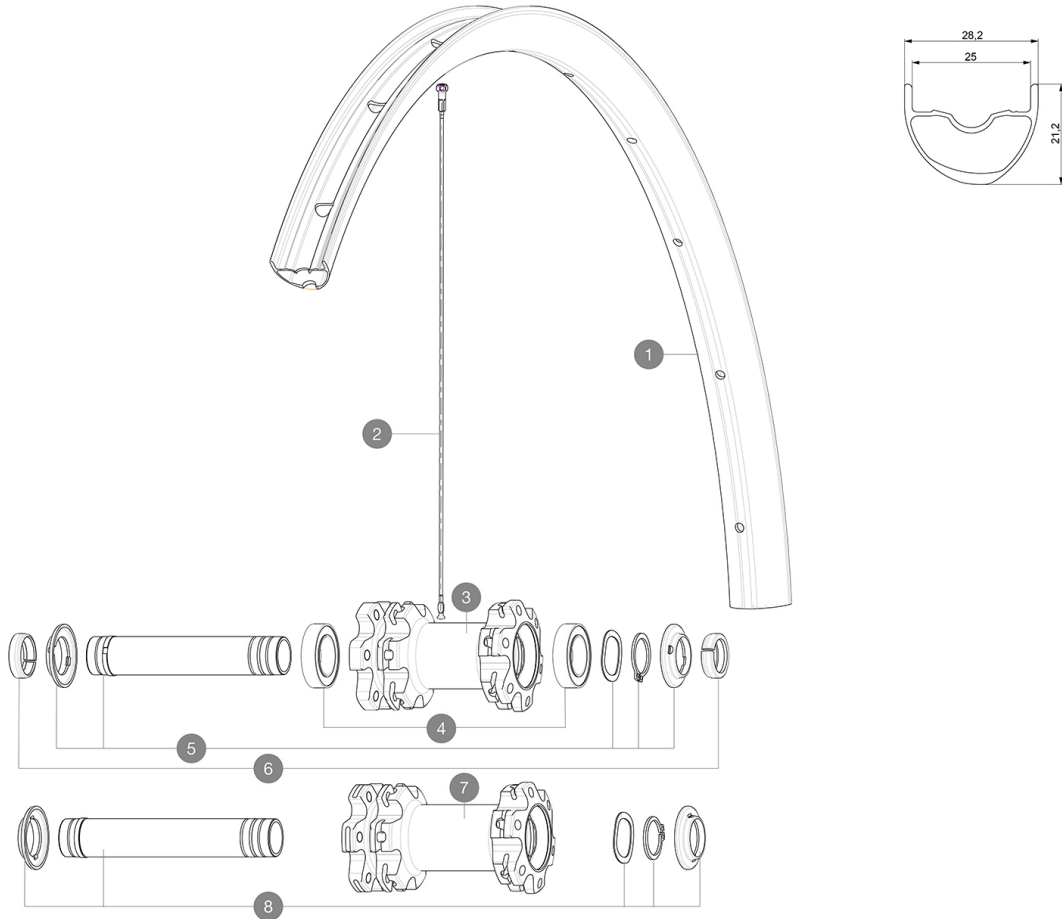
For a longer longevity of the wheel, Mavic recommends that the total weight supported by the wheels doesn't exceed 150kg, bike included

For a longer longevity of the wheel, Mavic recommends that the total weight supported by the wheels don't exceed 120kg, bike included

Recommended tyre sizes: 46mm to 64mm (1.8" to 2.5")

## REFERENCES WHEELS

F81881	Crossmax 27,5 Ft Boost	F81871	Crossmax 27,5 Ft
--------	------------------------	--------	------------------



## RIMS



&NBSP;:

1	V3762515	KIT FRT/REAR RIM CROSSMAX 19 27,5"
	V2700101	UST Tape 28mm for 25 to 27mm wide rims

## SPOKES

2	36690101	"KIT 12 FT/NDS CROSSONE/CROSSMAX/XA 27,5"" SPK 278mm"
---	----------	---

## HUB SHELLS

3	N/A	HUB BODY
4	V2500901	KIT BEARINGS 18x30x7 + WAVED WASHER + CLIP
5	V2372301	KIT 100mm AXLE QRM AUTO MTB > 2019
7	N/A	HUB BODY
8	V2372401	KIT 110mm AXLE QRM AUTO MTB > 2019

## OPTIONS

V2374401	TORQUE CAPS 15*31 Adapter MTB QRM Auto > 2019 Frt HUB
----------	---

## ADAPTERS

6	V2372501	15mm MTB Axle Cap QRM Auto From 2019
	99694101	ADAPTER Ft 15 to 9mm QR

# MAVIC Crossmax

## DELIVERED WITH

Front QR adapters (non-boost wheel)	
Front QR adapters (non-boost wheel)	
Front QR adapters (non-boost wheel)	
Rear QR adapters (non-boost wheel)	
Rear QR adapters (non-boost wheel)	
Rear QR adapters (non-boost wheel)	
Tubeless rim tape	
Tubeless rim tape	
Tubeless rim tape	
User guide	
User guide	
User guide	

## COMPATIBILITY

Freewheel: Shimano/Sram or XD	
Freewheel: Shimano/Sram or XD	
Front axle: convertible from 15mm thru axle to Quick Release with adapters (delivered with non-boost wheel)	
Front axle: convertible from 15mm thru axle to Quick Release with adapters (delivered with non-boost wheel)	
Front axle: convertible from 15mm thru axle to Quick Release with adapters (delivered with non-boost wheel)	
Rear axle: 12mm thru axle, convertible to Quick Release with adapters (delivered with non-boost wheel)	
Rear axle: 12mm thru axle, convertible to Quick Release with adapters (delivered with non-boost wheel)	
Rear axle: 12mm thru axle, convertible to Quick Release with adapters (delivered with non-boost wheel)	
Freewheel: Shimano Micro Spline	
Freewheel: Shimano Micro Spline	

## Specifications

### RIMS

- **Material** : S6000 Aluminum
- **Material** : S6000 Aluminum
- **Material** : S6000 Aluminum
- **Joint** : sleeved
- **Joint** : sleeved
- **Joint** : sleeved
- **Drilling** : traditional
- **Drilling** : traditional
- **Drilling** : traditional
- **Valve hole diameter** : 6.5 mm
- **Valve hole diameter** : 6.5 mm
- **Valve hole diameter** : 6.5 mm
- **Tyre** : UST Tubeless and tubetype
- **Tyre** : UST Tubeless and tubetype
- **Tyre** : UST Tubeless and tubetype
- **ETRTO size 27.5"** : 584x25TSS
- **ETRTO size 27.5"** : 584x25TSS
- **ETRTO size 27.5"** : 584x25TSS
- **ETRTO size 29"** : 622x25TSS
- **ETRTO size 29"** : 622x25TSS
- **ETRTO size 29"** : 622x25TSS

Hookless profile

Download 10-07-16 / Update date: 2023-09-13

Hookless profile

### WHEEL HUB

- **Front and rear bodies** : aluminum
  - **Front and rear bodies** : aluminum
  - **Front and rear bodies** : aluminum
  - **Axle material** : aluminum
  - **Axle material** : aluminum
  - **Axle material** : aluminum
- Auto adjust sealed cartridge bearings (QR Auto), front and rear  
Auto adjust sealed cartridge bearings (QR Auto), front and rear
- **Freewheel** : Instant Drive 360 steel
  - **Freewheel** : Instant Drive 360 steel
- 24 teeth ratchet  
Instant Drive 360  
QR Auto

### VERSIONS

- **Color** : Black only
- **Color** : Black only
- **Disc standard** : 6 Bolts only
- **Disc standard** : 6 Bolts only
- **Disc standard** : 6 Bolts only
- **Hub width** : Boost (front 110, rear 148) or Non-Boost (front 100, rear 135/142)
- **Hub width** : Boost (front 110, rear 148) or Non-

### WHEEL WEIGHTS

Weight Front 27.5": 842  
Weight Front 29": 884