

MAVIC **COSMIC SLR 32 DISC**

ASTM CATEGORY 2 : road and offroad with jumps less than 15cm
ID360 Shimano steel freewheel body (V3790101))

For a longer longevity of the wheel, Mavic recommends that the total weight supported by the wheels doesn't exceed 120kg, bike included

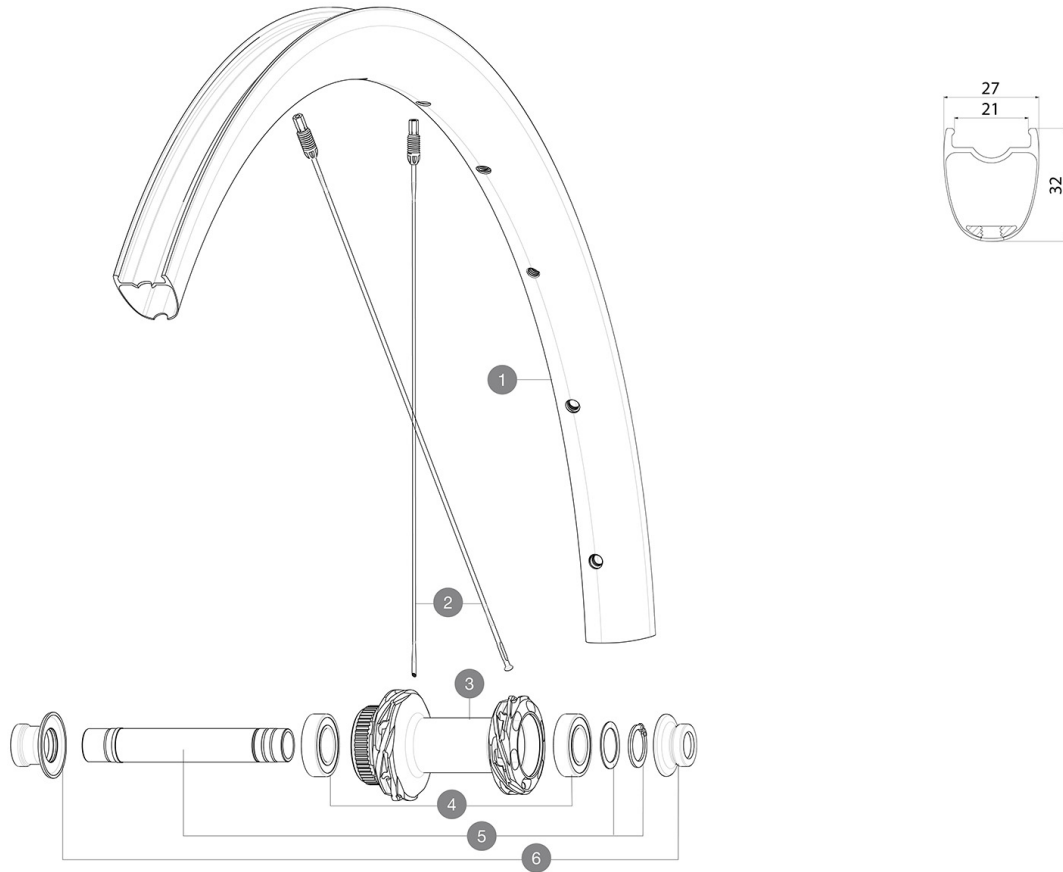
Maximum tyre pressure: 6.1bar/88PSI with a 25mm tyre - 3.5bar/51PSI with a 64mm tyre

Recommended tyre sizes: 25 to 32 mm

Max. Pressure: see indication on wheel and tyre. If they differ, use the lowest of the 2
ID360 N3W freewheel body (V4270101))

REFERENCES WHEELS

F92261 COS SLR32 CL 700 12X100

**RIMS**

&NBSP;:

1 V4094615 Kit Front/Rear rim Cosmic SLR 32 Disc

SPOKES

2 V4164801 Kit 12 CosmicSLR32 Disc aero sspk M6 291

HUB SHELLS

3 N/A HUB BODY
3 N/A HUB BODY
4 M40129 KIT 2 BEARINGS 6902 15x28x7
5 V2373301 KIT QRM AUTO FRONT AXLE 12mm > 2019

ADAPTERS

6 V2374701 KIT FRONT ROAD FORK REST 12mm FOR J BENT DISC HUB
V2680301 "Kit Ft Road Adapter 12 >> 9mm"

DELIVERED WITH

User guide	
UST valve and accessories (129 838 01)	
UST valve and accessories (129 838 01)	
UST valve and accessories (129 838 01)	
User guide	
User guide	
User guide	
UST valve and accessories (129 838 01)	
ID360 Campagnolo freewheel body ([LV3440100])	

COMPATIBILITY

Freewheel: Shimano/Sram, convertible to Campagnolo and XD-R with optional driver bodies	
Freewheel: Shimano/Sram, convertible to Campagnolo and XD-R with optional driver bodies	
Front axle: 12x100 thru axle, easily convertible to quick release with optional adapters. Not compatible with 15mm through axles.	
Freewheel body: convertible SRAM XD road (kit V2580101 sold separately)	
Rear axle: 12mm thru axle, convertible to Quick Release with optional adapters	
Rear axle: 12mm thru axle, convertible to Quick Release with optional adapters	
Front axle: 12x100 thru axle, easily convertible to quick release with optional adapters. Not compatible with 15mm through axles	
Freewheel body: convertible SRAM XD road (kit V2580101 sold separately)	
Freewheel body: convertible SHIMANO HG light road (kit V3850101 sold separately)	
Freewheel body: convertible SHIMANO HG light road (kit V3850101 sold separately)	
Freewheel body: convertible SHIMANO MS (kit V3990101 sold separately)	
Freewheel body: convertible SHIMANO MS (kit V3990101 sold separately)	
Freewheel body: convertible CAMPAGNOLO ED (kit V3440101 sold separately)	
Freewheel body: convertible CAMPAGNOLO ED (kit V3440101 sold separately)	
Freewheel body: convertible CAMPAGNOLO N3W (kit V4270101 sold separately)	
Freewheel body: convertible CAMPAGNOLO N3W (kit V4270101 sold separately)	
ID360 Shimano Micro Spline alloy freewheel body ([V3990101])	
Rear axle: for fixing nuts only (included), M9x1 thread	